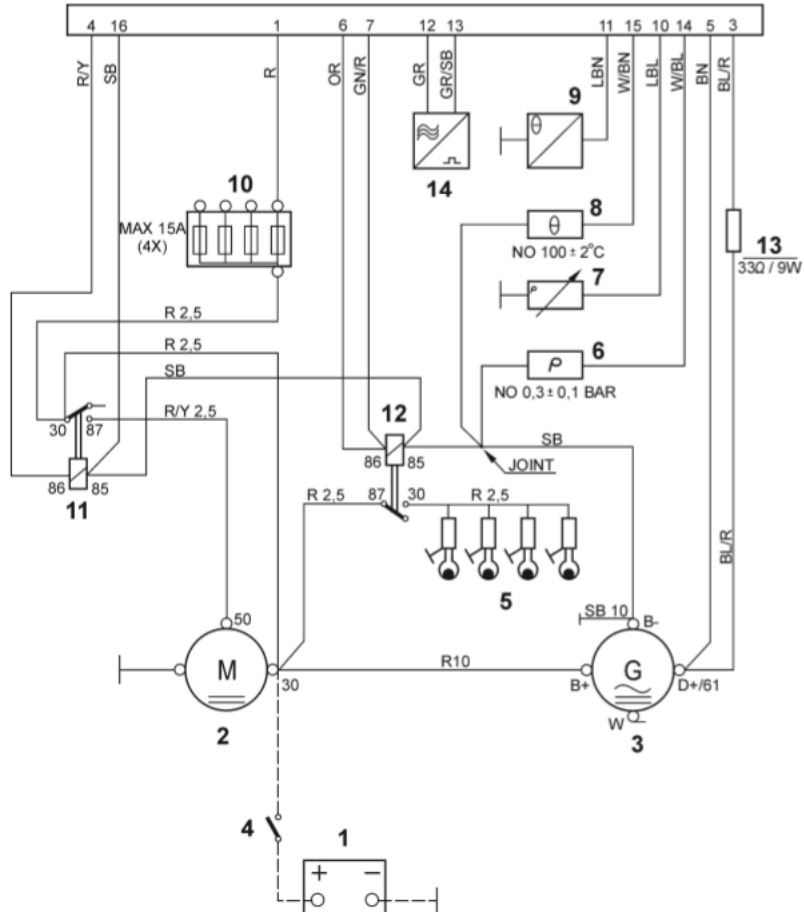


Engine



1. Battery
2. Starter motor
3. Alternator
4. Main switch
5. Glow plugs
6. Oil pressure monitor, engine
7. Oil pressure sensor
8. Coolant temperature monitor
9. Coolant temperature sensor
10. Fuses (4 pcs.), max. 15A (+)
11. Starter relay
12. Glowplug relay
13. Magnetisation resistance
14. Engine speed sensor

Cable colors

- BL = Blue
- LBL = Light blue
- BN = Brown
- LBN = Light brown
- GN = Green
- GR = Gray
- OR = Orange
- PU = Purple
- R = Red
- SB = Black
- W = White
- Y = Yellow

Cable cross section in mm² is given after the color code on the wiring diagram.

Cross section not given = 1.0 mm².

Dotted wires not included from Volvo Penta.