

# **Lewmar Service Manual Volume III**

 **LEWMAR**

## Introduction

Lewmar is the world's leading manufacturer of yacht winches. Our manufacturing facilities set the highest standards in quality materials and performance. Each Lewmar winch is tested to ensure that at all stages in the manufacturing process it conforms to the Lewmar requirements of dimensional accuracy, rated strength and operating efficiency. Our winches are approved to Lloyds standards and in practice are in excess of them.

Lewmar winches are constantly being tested in the latest racing competition, aboard leading ocean racers around the world and, whether racing or cruising, they are rated for their long life and performance.

However, as with any precision engineered assembly, Lewmar winches need regular maintenance to operate at peak efficiency and, without this attention, permanent damage and premature wear can result.

This Manual uses exploded view drawings to illustrate the techniques required to dismantle completely, service and assemble each winch in the Lewmar range. The drawings illustrate clearly the 'strip from the top' system.

Lewmar has a worldwide network of offices and distributors who carry stocks of spare parts and spare kits. Expert advice and assistance is available for any servicing or repair problem.

## Warranty Details

Lewmar winches have been developed over many years by extensive testing aboard the world's finest ocean racers, long distance cruising yachts and match racing yachts such as 12 metres. They are manufactured to quality standards in excess of those required by Lloyds and only the finest materials are used.

If installed, used and maintained as described in this Manual they will give outstanding performance.

Lewmar undertake that any winch which proves defective in materials or workmanship within one year of the date of supply will be repaired or replaced FREE OF CHARGE provided that the winch is returned by the registered owner to the nearest Lewmar office or distributor for examination. Lewmar reserve all rights on determining the nature of the alleged fault and their decision is final.

Any warranty expressed or implied is ineffective unless the winch has been installed, used and regularly serviced in accordance with our instruction.

## Service Notes

For satisfactory long term performance and product life these winches must be given the routine and full maintenance procedure described below.

- MONTHLY:** All Lewmar winches should be hosed down with fresh water then lightly oiled and greased as detailed in the separate free leaflet, "How to service your Lewmar Winch".
- TWO OR THREE TIMES DURING ACTIVE SAILING SEASON:** All Lewmar winches should be stripped, cleaned and relubricated.
- AT THE END OF EACH SAILING SEASON OR BEFORE STARTING THE NEW SEASON:** All Lewmar winches should be completely stripped, cleaned, thoroughly checked for damage, lubricated and reassembled as detailed in this Service Manual.

## Dismantling

Lewmar winches are simple to dismantle and are designed for easy maintenance. The exploded view drawings show how the component parts can be removed easily from each winch. Consult the 'How to service your Lewmar Winch' booklet for further details.

## Assembly

Winches must be assembled in the reverse sequence to the order of dismantling.

## Mounting

All winches must be mounted using the correct size and type of retaining bolts. Having decided on the correct winch position, the drum must be removed as detailed in the maintenance instructions for mounting. The winch must be mounted on a flat clean surface.

The hole centres for the winch retaining bolts must be marked off and drilled separately. The winch should be bedded on a LIGHT coating of sealing compound to stop leaks — too much compound gets in the gears and pawls.

The winch retaining fastenings must be securely tightened (but not overtightened). The winch is self draining and care must be taken to ensure the drain holes are not blocked.

## Handles

All current winches accept any standard international handle (Lewmar red grip handle).

## Recommended Lubricants

Grease  
Lewmar Grease 7010 (Lubriplate Marine Lube 'A', etc.)  
Oil  
Light Machine Oil (3-in-1 or equivalent)

## Service and Spares

Full service facilities for Lewmar winches are provided at our factory and subsidiary companies and by our distributors and service centres worldwide.

A full listing is provided on the inside back cover.

Parts pricing is subject to change. Apply to your nearest Lewmar office or distributor for current price lists.

## Contents Volume III

Page No.

Single Speed Winches	
6 and 7	3
8 and 10	4
Two Speed Winches	
16	5
24, 30 and 40	6
42	7
Three Speed Winches	
44 and 48	8
55	9
65	10
Self-Tailing Winches	
16	11
30 and 34	12
40	13
42	14
44	15
48	16
55	17
65	18
Halliard Reel Winches	
1	19
2	20
2 - 2	21
3	22

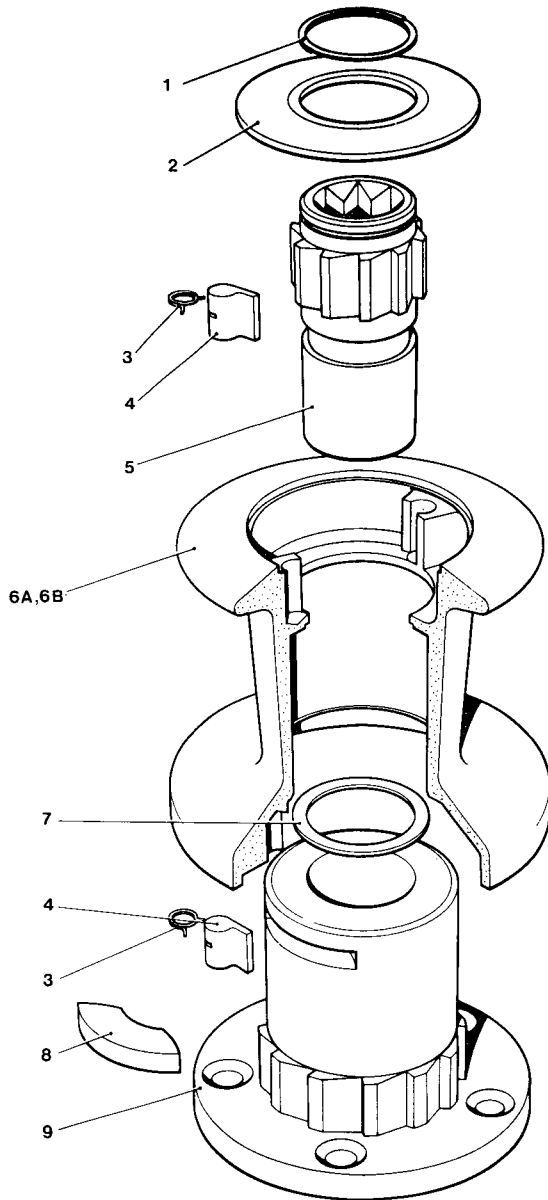


**Lloyd's Certificate**  
Lloyd's make a very careful examination of the material, design, construction, quality control and test procedures used by Lewmar and approved all the existing systems without alteration. Lewmar's existing standards proved to be higher than were required by Lloyd's.

## Spares Kits

7001	Single Speed Winches except 5/8" socket No. 8's.
7002	Two speed and small self-tailing winches up to and including 42ST, 5/8" socket No. 16.
7003	Three speed push button winches.
7004	Self Tailing Winches 44ST and above.
7005	Halliard Reel winches.
7006	Three speed Disc type winches.
7007	Sprung Loaded 34ST plus 5/8" socket Nos. 8 and 16 winches.
7008	Various Circlips. (Owners are strongly recommended to carry spare circlips for all winches).
7009	Allen key set.
7010	Grease.

# Nos. 6/7



No. 6 Single Speed Winch			
Item No.	Part No.	Description	No. Off
1	B.2075	Circlip	1
2	18000048	Top Cap	1
3	1260/7	Pawl Spring	4
4	1260/8	Pawl	4
5	15000148	Spindle	1
6A	15006102	Drum – Bronze	1
6B	15006202	Drum – Alloy	1
7	15006004	Washer	1
8	15006005	Key	1
9	15000144	Centre Stem	1

No. 7 Single Speed Winch			
Item No.	Part No.	Description	No. Off
1	B.2075	Circlip	1
2	18000049	Top Cap	1
3	1260/7	Pawl Spring	4
4	1260/8	Pawl	4
5	15000148	Spindle	1
6A	15008102	Drum – Bronze	1
6B	15008202	Drum – Alloy	1
7	15006004	Washer	1
8	15010005	Key	1
9	15000143	Centre Stem	1

## No. 6a Bottom Action Winch

Schedule as above except:–

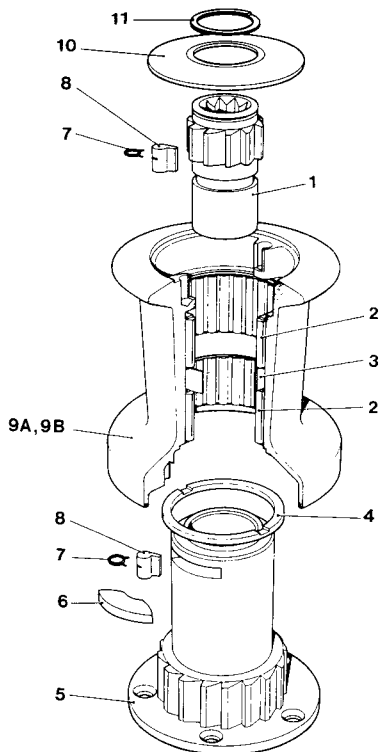
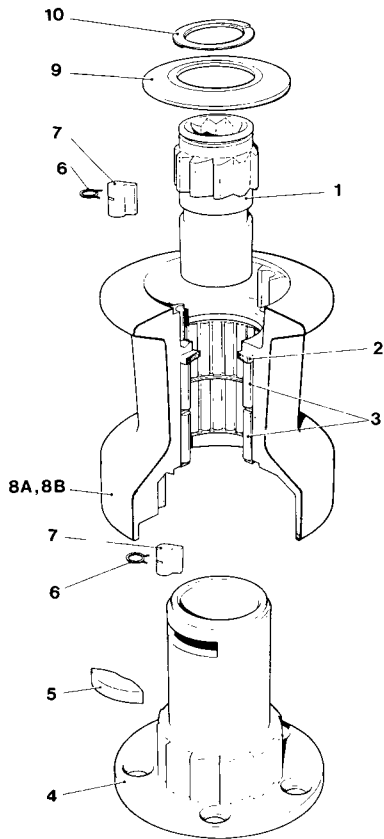
Item No.	Part No.	Description	No. Off
5	15000146	Spindle	1
9	15000179	Centre Stem	1
10	15006007	Handle	1
11	15006008	Base	1
12	15006010	Plug	1

## No. 7a Bottom Action Winch

Schedule as above except:–

Item No.	Part No.	Description	No. Off
5	15000147	Spindle	1
9	15000143	Centre Stem	1
10	15006007	Handle	1
11	15007008	Base	1
12	15006010	Plug	1

# Nos. 8/10



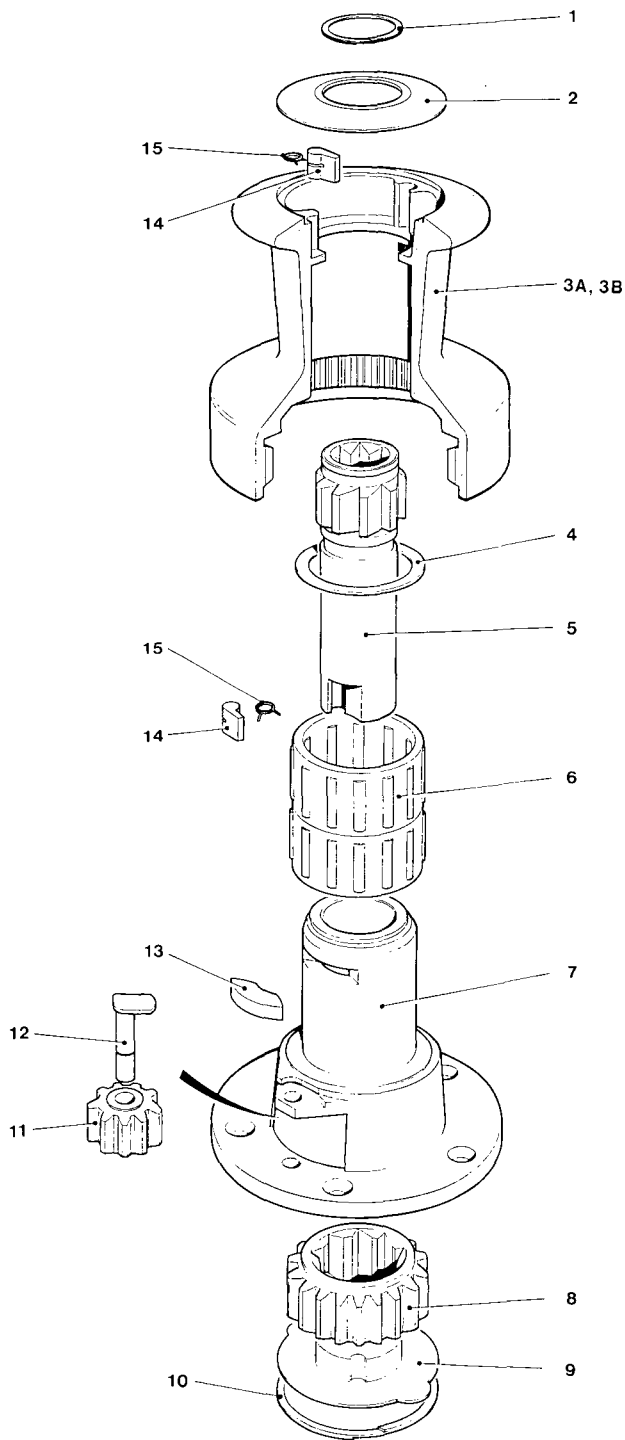
## No. 8 Single Speed Winch

Item No.	Part No.	Description	No. Off
1	15008003	Spindle	1
2	15008004	Drum Washer	1
3	15008007	Roller Bearing	2
4	15008001	Centre Stem	1
5	15008005	Key	1
6	1260/7	Pawl Spring	4
7	1260/8	Pawl	4
8A	15008102	Drum – Bronze	1
8B	15008202	Drum – Alloy	1
9	18000050	Top Cap	1
10	B.2075	Circlip	1

## No. 10 Single Speed Winch

Item No.	Part No.	Description	No. Off
1	15008003	Spindle	1
2	15010007	Roller Bearing	2
3	15010008	Spacer	1
4	15010004	Drum Washer	1
5	15000227	Centre Stem	1
6	15010005	Key	1
7	1260/7	Pawl Spring	4
8	1260/8	Pawl	4
9A	15010102	Drum – Bronze	1
9B	15010202	Drum – Alloy	1
10	18000053	Top Cap	1
11	B.2075	Circlip	1

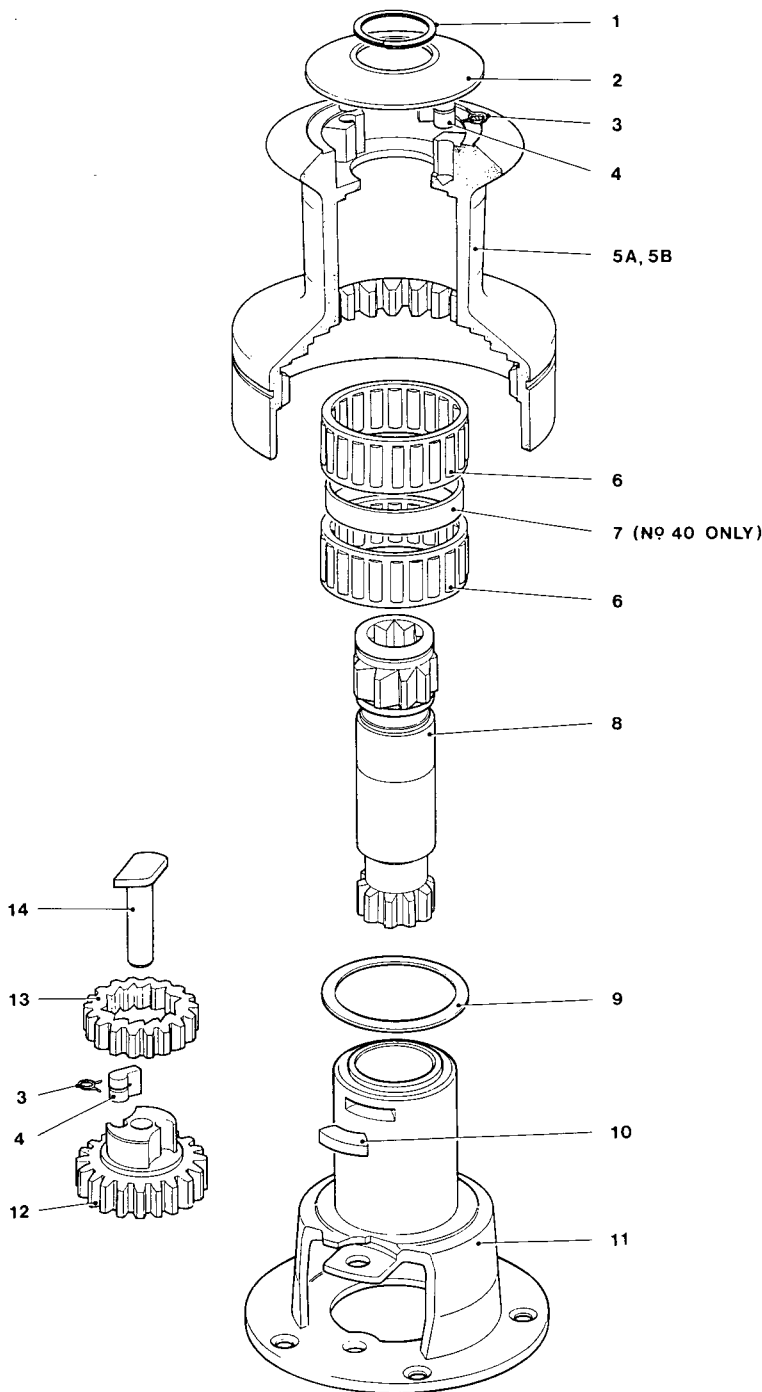
# No. 16



## No. 16 2 Speed Winch

Item No.	Part No.	Description	No. Off
1	B.2075	Circlip	1
2	18000051	Top Cap	1
3A	15016102	Drum – Bronze	1
3B	15016202	Drum – Alloy	1
4	15008004	Drum Washer	1
5	15000336	Spindle Assembly	1
6	15008007	Roller Bearing	2
7	15000115	Centre Stem	1
8	15000098	Ratchet Gear	1
9	15016007	Retaining Plate	1
10	B.2085	Circlip	1
11	15000099	Idler Gear	1
12	15000128	Idler Spindle	1
13	15008005	Key	1
14	1260/8	Pawl	4
15	1260/7	Pawl Spring	4

# Nos. 24/30/40



## No. 24 Winch

Item No.	Part No.	Description	No. Off
1	B.2075	Circlip	1
2	18000052	Top Cap	1
3	1260/8	Pawl	4
4	1260/7	Pawl Spring	4
5A	15000118	Drum – Bronze	1
5B	15000122	Drum – Alloy	1
6	15008007	Roller Bearing	2
8	18000005	Spindle Assembly	1
9	15008004	Drum Washer	1
10	15008005	Key	1
11	15000116	Centre Stem	1
12	15000120	Pawl Gear	1
13	15030005	Ratchet Gear	1
14	15000129	Gear Spindle	1

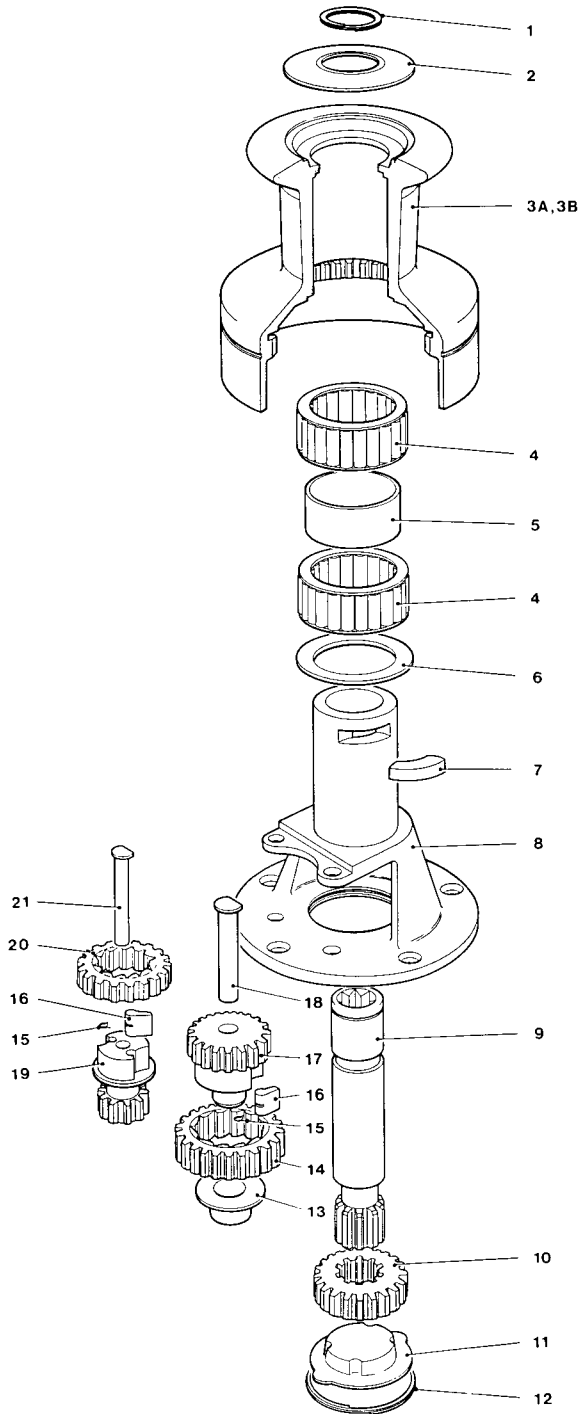
## No. 30 Winch

Item No.	Part No.	Description	No. Off
1	B.2075	Circlip	1
2	18000054	Top Cap	1
3	1260/7	Pawl Spring	4
4	1260/8	Pawl	4
5A	15030102	Drum – Bronze	1
5B	15030202	Drum – Alloy	1
6	15008007	Roller Bearing	2
8	18030003	Spindle Assembly	1
9	15030007	Drum Washer	1
10	15008005	Key	1
11	15000126	Centre Stem	1
12	15030006	Pawl Gear	1
13	15030005	Ratchet Gear	1
14	15000129	Gear Spindle	1

## No. 40 Winch – 2 Speed

Item No.	Part No.	Description	No. Off
1	B.2075	Circlip	1
2	18000055	Top Cap	1
3	1260/7	Pawl Spring	4
4	1260/8	Pawl	4
5A	15000002	Drum – Bronze	1
5B	15000003	Drum – Alloy	1
6	15010007	Roller Bearing	2
7	15010008	Spacer	1
8	18040001	Spindle Assembly	1
9	15034638	Drum Washer	1
10	15010005	Key	1
11	15000174	Centre Stem	1
12	15000106	Pawl Gear	1
13	15000107	Ratchet Gear	1
14	15000129	Gear Spindle	1

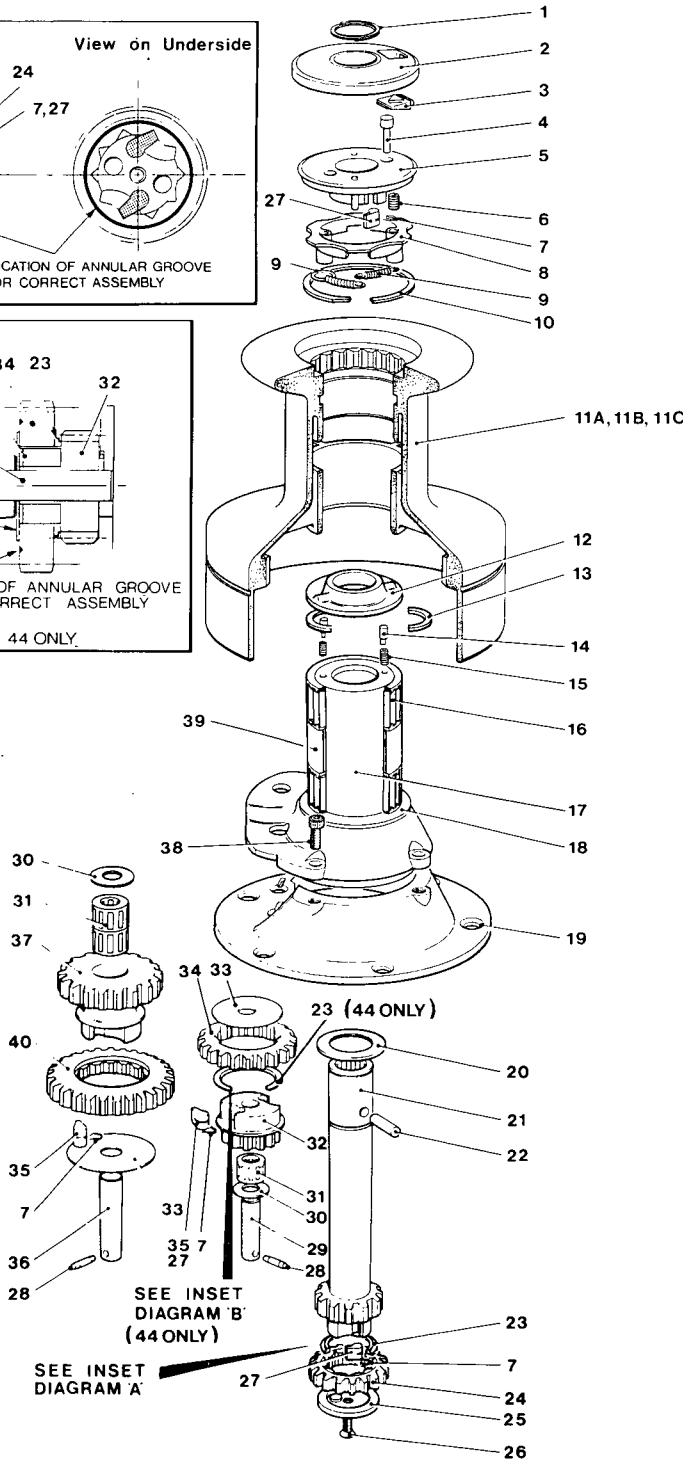
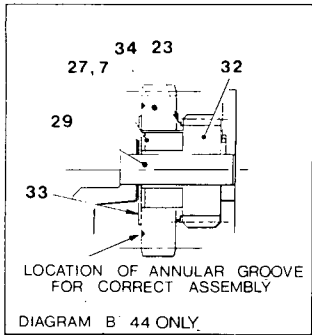
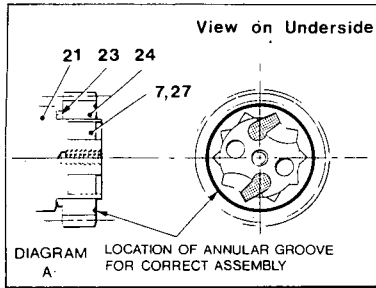
# No. 42



## No. 42 2 Speed Winch

Item No.	Part No.	Description	No. Off
1	B.2075	Circlip	1
2	18000056	Top Cap	1
3A	15042102	Drum – Bronze	1
3B	15042202	Drum – Alloy	1
4	15010007	Roller Bearing	2
5	15042012	Spacer	1
6	15042010	Drum Washer	1
7	15010005	Key	1
8	15042001	Centre Stem	1
9	15042003	Spindle	1
10	15042009	Ratchet Gear	1
11	15016007	Retaining Plate	1
12	B.2085	Circlip	1
13	15042011	Flanged Bush	1
14	15042006	Ratchet Gear	1
15	1260/7	Pawl Spring	4
16	1260/8	Pawl	4
17	15042007	Pawl Gear	1
18	15042004	Gear Spindle	1
19	15042008	Pawl Gear	1
20	15030005	Ratchet Gear	1
21	15042005	Gear Spindle	1

# Nos. 44/48



## No. 44 Push Button 3 Speed Winch

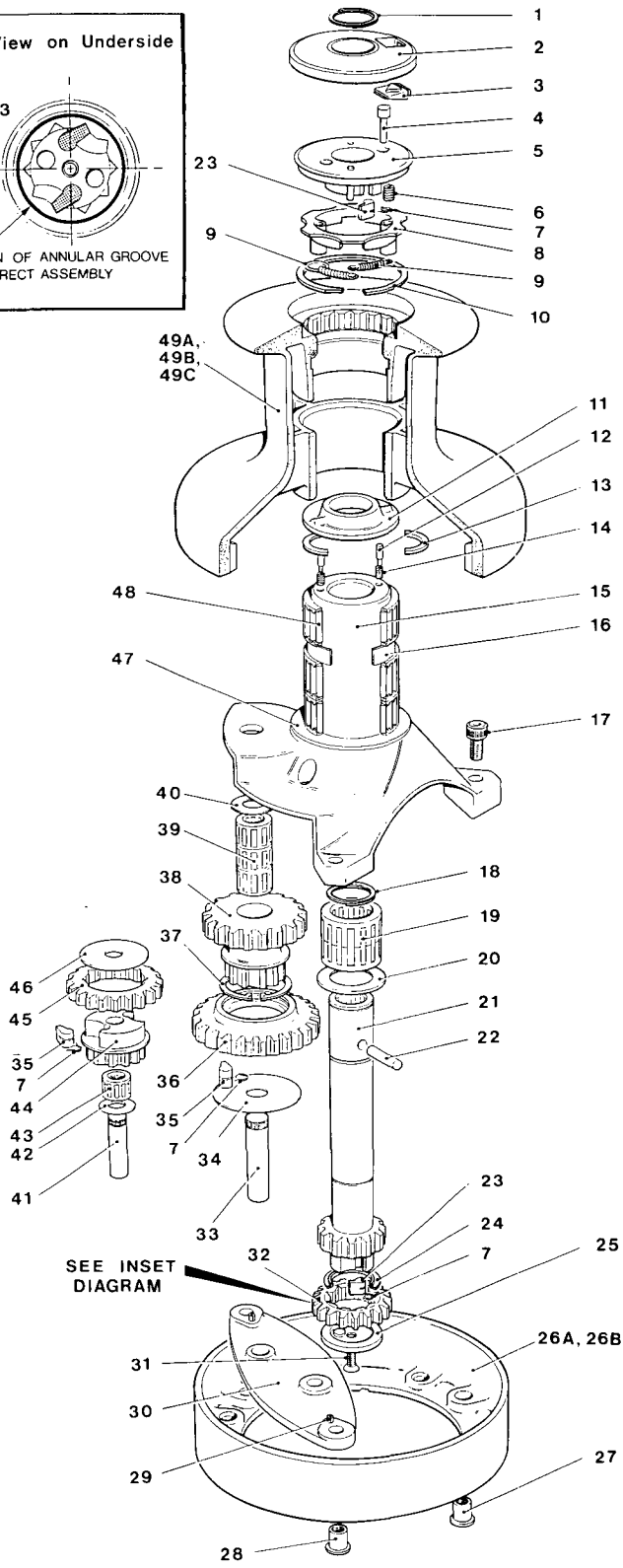
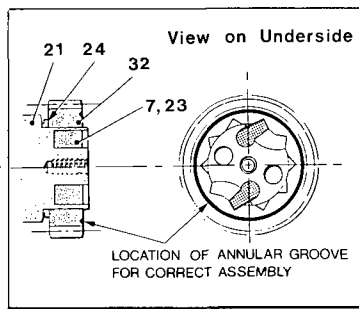
Item No.	Part No.	Description	No. Off
1	B.2075	Circlip	1
2	15044117	Top Cap Cover	1
3	15044114	Push Button	1
4	15044111	Plunger	1
5	15044104	Top Cap Assembly	1
6	15044112	Spring	1
7	1260/7	Pawl Spring	8
8	15044106	Closing Ring	1
9	15044115	Spring - Anchor Pin	2
	15044113	Spring	
10	B.2083	Circlip	1
11A	15044102	Drum - Bronze	1
11B	15044202	Drum - Alloy	1
11C	15044302	Drum - St. Steel	1
12	15044105	Clutch Plate	1
13	15044118	Collet	2
14	15137203	Plunger	2
15	15137204	Spring	2
16	15044121	Roller Bearing	2
17	15000008	Centre Stem - Upper	1
18	15044116	Drum - Washer	1
19	15000009	Centre Stem - Lower	1
21	15044103	Spindle	1
22	15044119	Drive Pin	1
23	15025107	Spacer	2
24	15016015	Ratchet Gear	1
25	15016107	Spindle End Cap	1
26	B.0515	C'sk. Screw - 1/4" UNC x 1/2" Long	1
27	1260/8	Pawl	8
28	B.1516	Spiral Pin	2
29	15000010	Gear Spindle	1
32	15025105	Pawl Gear	1
33	15025106	Washer	2
34	15041105	Ratchet Gear	1
36	15000011	Gear Spindle	1
37	15044107	Pawl Gear	1
38	B.0719	Skt. Hd. Cap Screw - 5/8" UNC x 3/4" Long	4
39	15065115	Spacer (44 Winch only)	1
40	15016105	Ratchet Gear	1

## No. 48 Push Button 3 Speed Winch

Item No.	Part No.	Description	No. Off
1	B.2075	Circlip	1
2	15048106	Top Cap Cover	1
3-10	As 44 Schedule		
11A	15048102	Drum - Bronze	1
11B	15048202	Drum - Alloy	1
11C	15048302	Drum - St. Steel	1
12-15	As 44 Schedule		
16	15044121	Roller Bearing	3
17	15000013	Centre Stem - Upper	1
18	15044116	Drum - Washer	1
19	15000014	Centre Stem - Lower	1
20	1300/21	Washer	1
21	15048103	Spindle	1
22	15044119	Drive Pin	1
23	15025107	Spacer	1
24	15048104	Ratchet Gear	1
25	15016107	Spindle End Cap	1
26	B.0515	C'sk. Screw - 1/4" UNC x 1/2" Long	1
27	1260/8	Pawl	4
28	B.1516	Spiral Pin	2
29	15000016	Gear Spindle	1
30	1300/22	Washer	2
31	1300/SA2	Roller Bearing	3
32	1300/8	Pawl Gear	1
33	1264/7	Washer	2
34	1300/7	Ratchet Gear	1
35	1264/8	Pawl	4
36	15000015	Gear Spindle	1
37	1300/6	Pawl Gear	1
38	B.0719	Skt. Hd. Cap Screw - 5/8" UNC x 3/4" Long	4
40	1300/5	Ratchet Gear	1

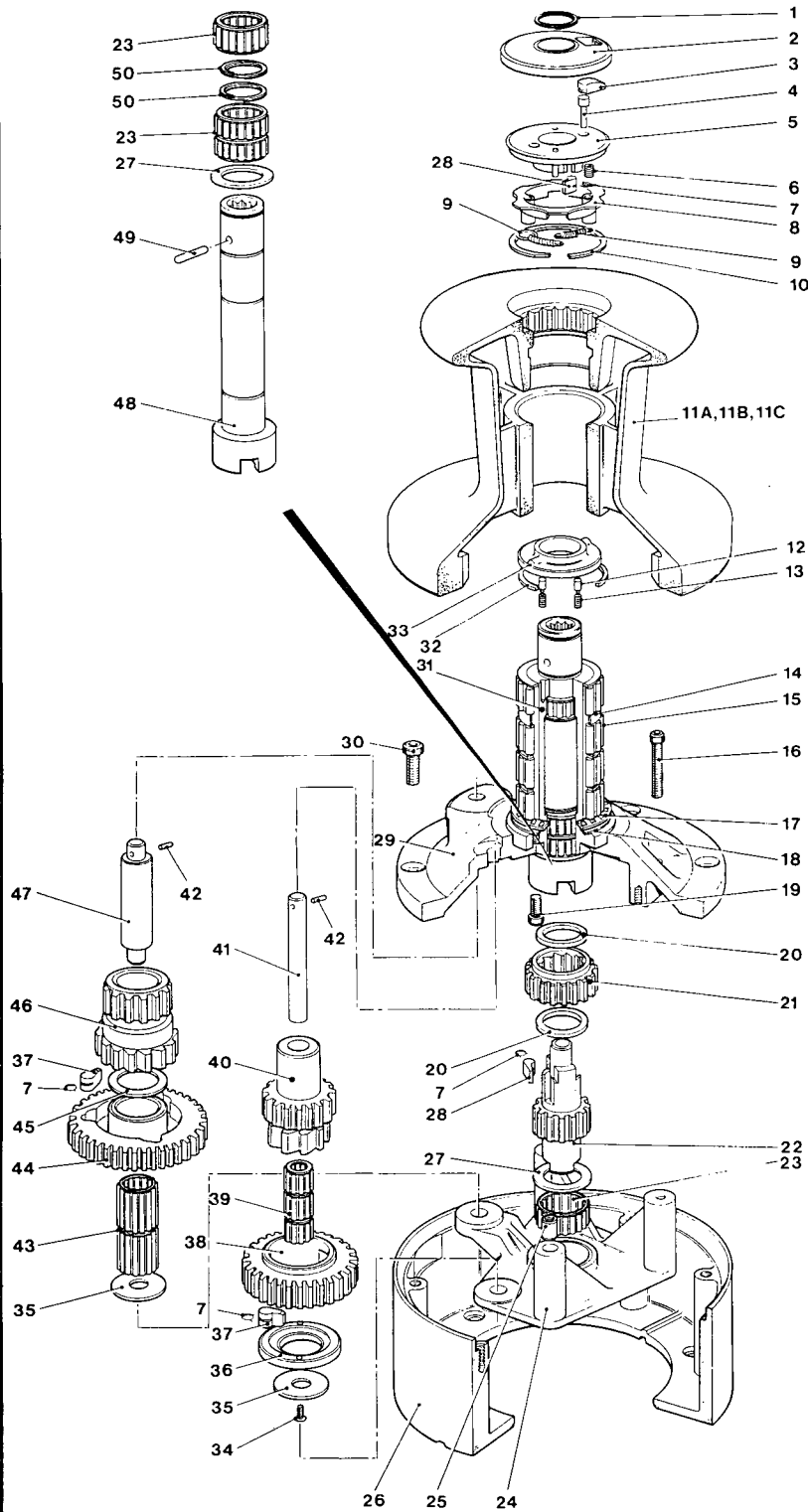


# No. 55



No. 55 3 Speed Winch			
Item No.	Part No.	Description	No. Off
1	B.2075	Circlip	1
2	15055106	Top Cap Cover	1
3	15044114	Push Button	1
4	15044111	Plunger	1
5	15044104	Top Cap Assembly	1
6	15044112	Spring	1
7	1260/7	Pawl Spring	8
8	15044106	Closing Ring	1
9	15044113	Spring	2
	15044115	Spring - Anchor Pin	2
10	B.2083	Circlip	1
11	15044105	Clutch Plate	1
12	15137203	Plunger	2
13	15044118	Collet	2
14	15137204	Spring	2
15	15055101	Centre Stem	1
16	15048105	Spacer	1
17	B.0714	Skt. Hd. Cap Screw - 3/8" UNC x 3/4" Long	3
18	B.2079	Circlip	1
19	1264/SA2	Roller Bearing	1
20	1300/21	Washer	1
21	15055103	Spindle	1
22	15044119	Drive Pin	1
23	1260/8	Pawl	4
24	15025107	Spacer	1
25	15016107	Spindle End Cap	1
26A	15055104	Base - Bronze	1
26B	15055204	Base - Alloy	1
27	1301/22	Dowel	1
28	1301/17	Dowel	2
29	B.1506	Spirol Pin	2
30	15055105	Bridge Piece	1
31	B.0515	C'sk Screw - 1/4" UNC x 1/2" Long	1
32	15048104	Ratchet Gear	1
33	1301/10	Gear Spindle	1
34	1301/11	Washer	1
35	1264/8	Pawl	4
36	1301/7	Pawl Gear	1
37	B.2077	Circlip	1
38	1301/6	Ratchet Gear	1
39	1301/SA2	Roller Bearing	3
40	1301/19	Washer	1
41	1264/6	Gear Spindle	1
42	1300/22	Washer	1
43	1300/SA2	Roller Bearing	1
44	1300/8	Pawl Gear	1
45	1300/7	Ratchet Gear	1
46	15055119	Washer	1
47	15044116	Drum Washer	1
48	15044121	Roller Bearing	3
49A	15055102	Drum - Bronze	1
49B	15055202	Drum - Alloy	1
49C	15055302	Drum - St. Steel	1

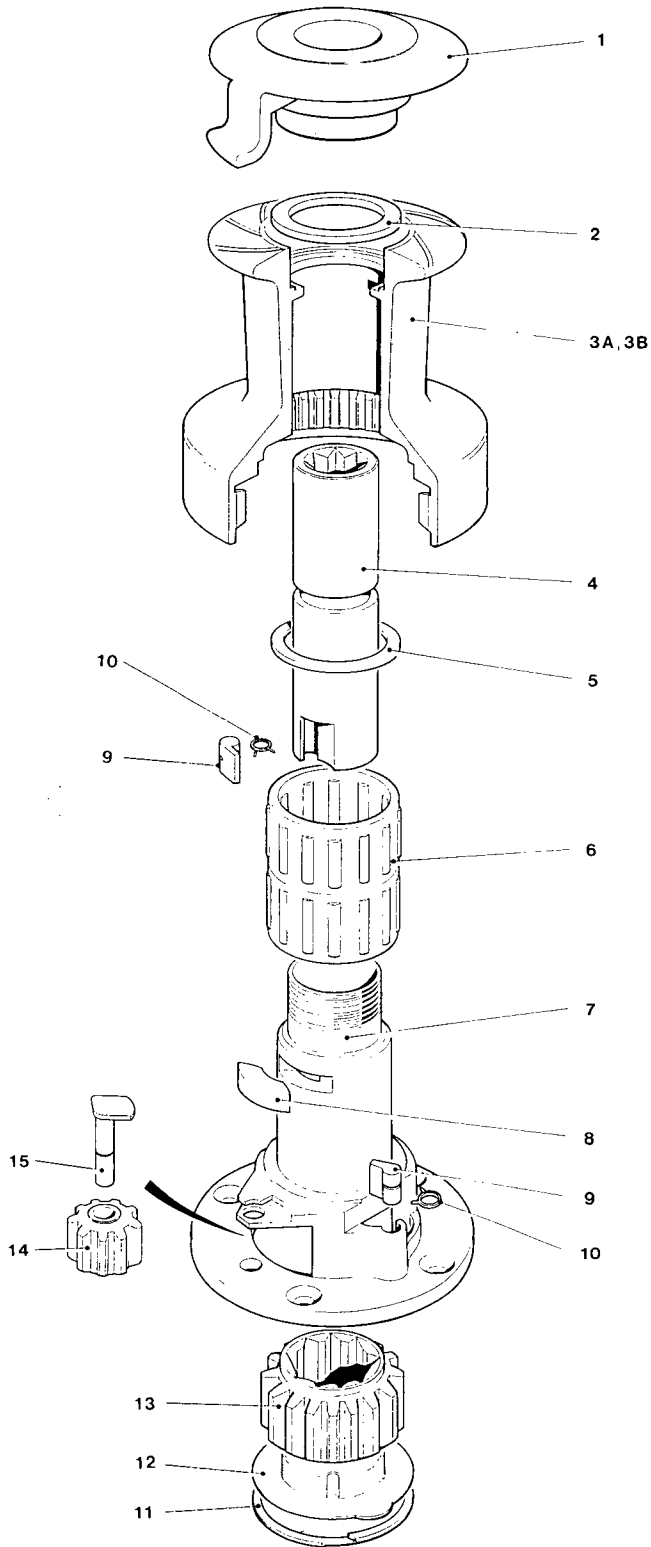
# No. 65



## No. 65 3 Speed Winch

Item No.	Part No.	Description	No. Off
1	B.2075	Circlip	1
2	15065106	Top Cap Cover	1
3	15044114	Push Button	1
4	15044111	Plunger	1
5	15044104	Top Cap Assembly	1
6	15044112	Spring	1
7	1260/7	Pawl Spring	9
8	15044106	Closing Ring	1
9	15044113	Spring	2
	15044115	Spring - Anchor Pin	2
10	B.2083	Circlip	1
11A	15000206	Drum - Bronze	1
11B	15000207	Drum - Alloy	1
11C	15000208	Drum - St. Steel	1
12	15137203	Plunger	2
13	15137204	Spring	2
14	15065115	Spacer	1
15	15044121	Roller Bearing	4
16	B.0698	Skt. Hd. Cap Screw - $\frac{5}{16}$ " UNC x $1\frac{1}{2}$ " Long	3
17	18080015	Thrust Bearing	1
18	15000082	Drum Washer	1
19	B.0730	Skt. Hd. Cap Screw - $\frac{5}{16}$ " UNC x $\frac{5}{8}$ " Long	8
20	15000303	Spacer	2
21	15000242	Ratchet Gear	1
22	15000241	Spindle Extension	1
23	15000019	Roller Bearing	4
24	15000048	Bridge Piece	1
	15000053	Bridge Piece Sleeve	1
25	15065111	Hollow Dowel	2
26	15000197	Base	1
27	15000024	Washer	2
28	1260/8	Pawl	4
29	15000049	Centre Stem - Lower	1
30	B.0714	Skt. Hd. Cap Screw - $\frac{3}{8}$ " UNC x $\frac{3}{4}$ " Long	6
31	15000195	Centre Stem - Upper	1
32	15044118	Collet	2
33	15044105	Clutch Plate	1
34	B.0511	Csk. Screw - 2BA x $\frac{3}{8}$ " Long	2
35	15000247	Washer	2
36	15000023	Retainer	1
37	1264/8	Pawl	5
38	15000040	Pawl Gear	1
39	15000017	Roller Bearing	3
40	15000245	Idler Gear	1
41	15000240	Gear Spindle	1
42	B.1501	Spirol Pin	2
43	15000018	Roller Bearing	2
44	15000244	Pawl Gear	1
45	15000246	Washer	1
46	15000243	Ratchet Gear	1
47	15000239	Gear Spindle	1
48	15000198	Spindle	1
49	15044119	Drive Pin	1
50	B.2086	Circlip	2

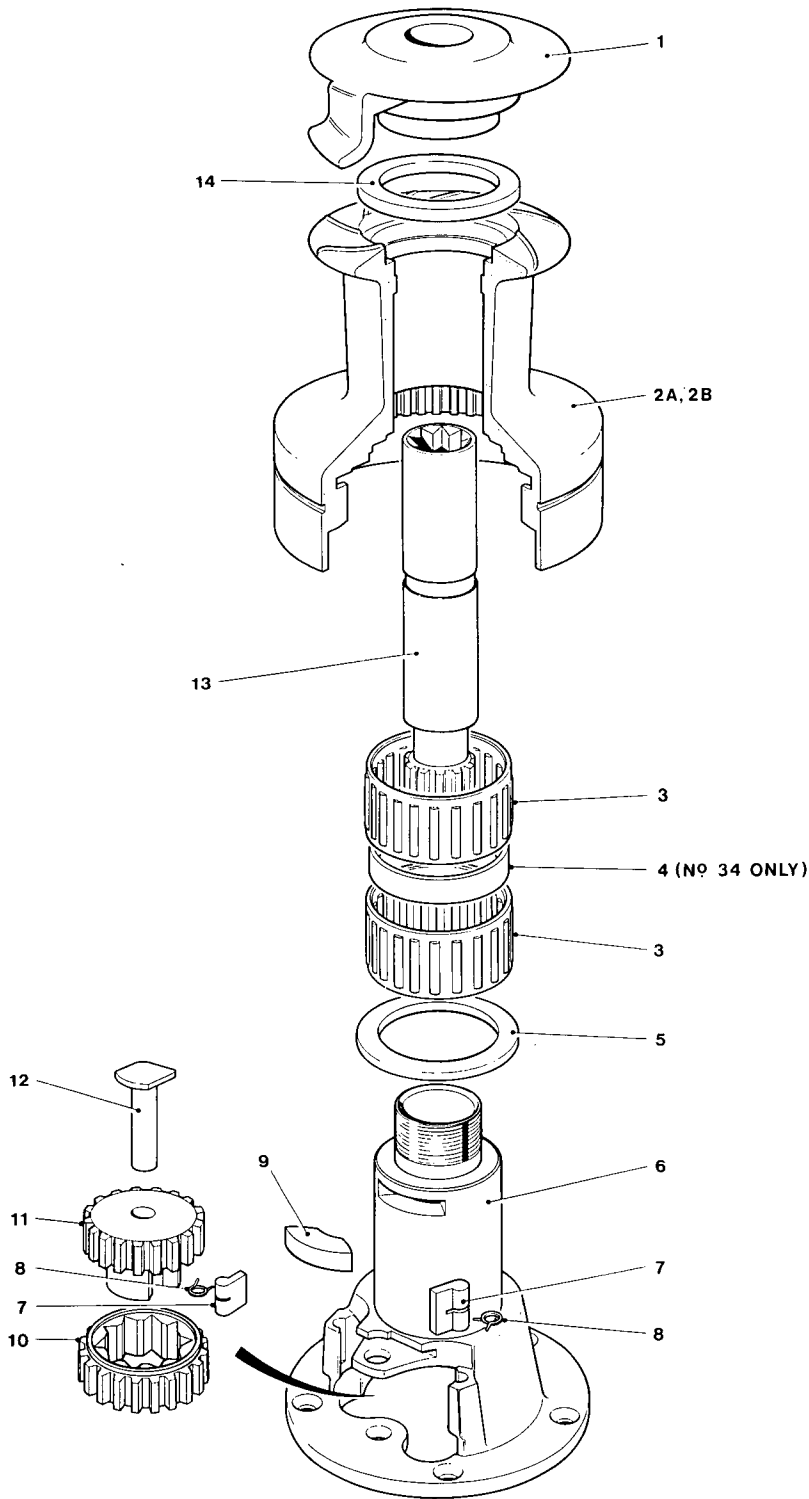
# No. 16ST



## No. 16 Self Tailing Winch

Item No.	Part No.	Description	No. Off
1	15016604	Stripper Nut/Top Cap	1
	B 2404	Helicoil Insert	1
2	15016010	Washer	1
3A	15016402	Drum - Bronze	1
3B	15016502	Drum - Alloy	1
4	15016603	Spindle	1
5	15008004	Washer	1
6	15008007	Roller Bearing	2
7	15000189	Centre Stem	1
8	15008005	Key	1
9	1260/8	Pawl	4
10	1260/7	Pawl Spring	4
11	B 2085	Circlip	1
12	15016007	Retaining Plate	1
13	15000098	Ratchet Gear	1
14	15000099	Idler Gear	1
15	15000128	Idler Spindle	1

# Nos. 30ST/34ST



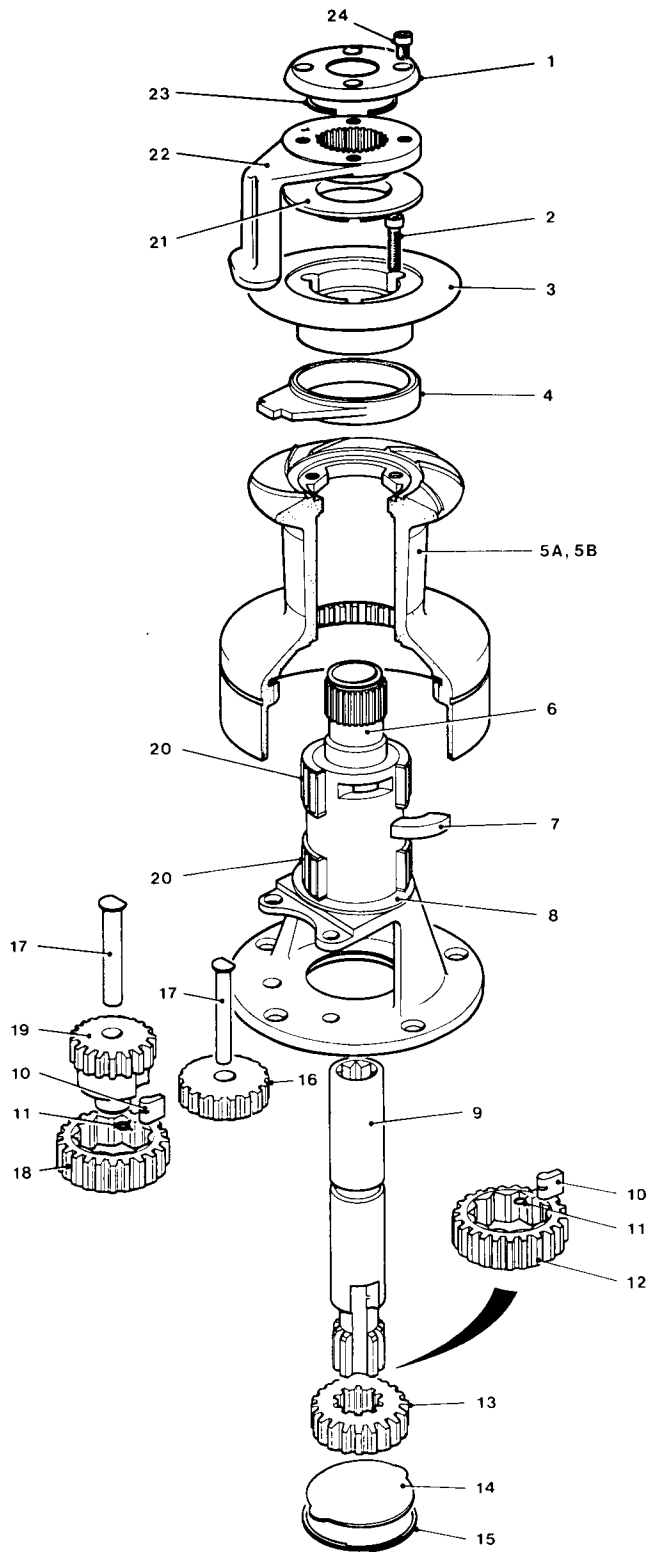
## No. 30 Self Tailing Winch

Item No.	Part No.	Description	No. Off
1	15030604	Stripper Nut/Top Cap	1
2A	15030402	Drum - Bronze	1
2B	15030502	Drum - Alloy	1
3	15008007	Roller Bearing	2
5	15030007	Drum Washer	1
6	15000190	Centre Stem	1
7	1260/8	Pawl	4
8	1260/7	Pawl Spring	4
9	15008005	Key	1
10	15030005	Ratchet Gear	1
11	15030006	Pawl Gear	1
12	15000129	Gear Spindle	1
13	15030603	Spindle	1
14	15030607	Washer	1

## No. 34 Self Tailing Winch

Item No.	Part No.	Description	No. Off
1	15034634	Stripper Nut/Top Cap	1
2A	15034432	Drum - Bronze	1
2B	15034532	Drum - Alloy	1
3	15010007	Roller Bearing	2
4	15010008	Spacer	1
5	15034638	Drum Washer	1
6	15000180	Centre Stem	1
7	1260/8	Pawl	4
8	1260/7	Pawl Spring	4
9	15010005	Key	1
10	15034635	Ratchet Gear	1
11	15034636	Pawl Gear	1
12	15000129	Gear Spindle	1
13	15034633	Spindle	1
14	15034637	Washer	1

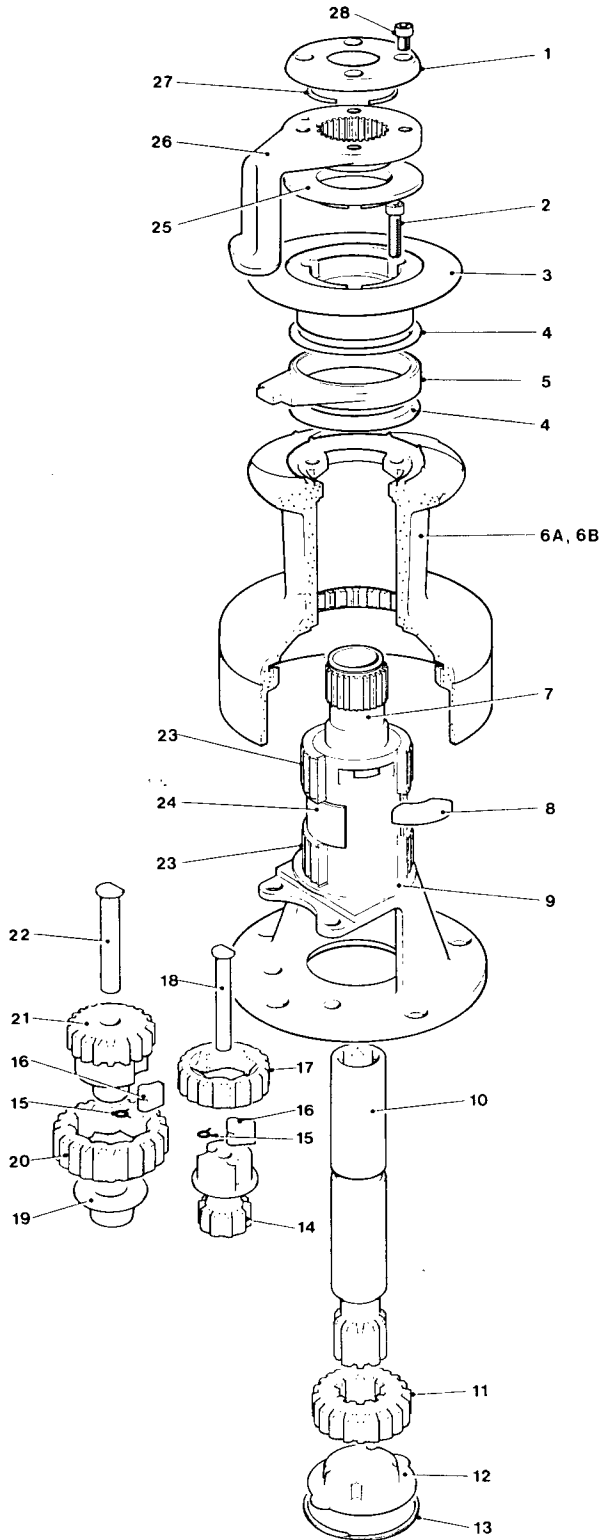
# No. 40ST



## No. 40 Self Tailing Winch

Item No.	Part No.	Description	No. Off
1	15000138	Top Cap	1
2	B 0709	Skt. Hd. Cap Screw – 1/4" UNC x 3/4" Long	3
3	15000124	Upper Crown Plate	1
4	15000137	Stripper Ring	1
5A	15000226	Drum – Bronze	1
5B	15000123	Drum – Alloy	1
6	15000117	Centre Stem	1
7	15010005	Key	1
8	15000175	Drum Washer	1
9	18000008	Spindle Assy.	1
10	1260/8	Pawl	4
11	1260/7	Pawl Spring	4
12	15000125	Ratchet Gear	1
13	15000136	Splined Gear	1
14	15000142	Retaining Plate	1
15	B 2085	Circlip	1
16	15000127	Idler Gear	1
17	15000141	Gear Spindle	2
18	15000135	Ratchet Gear	1
19	15000130	Pawl Gear	1
20	15010007	Roller Bearing	2
21	15000140	Flanged Bush	1
22	15000134	Stripper Arm	1
23	15042608	Split Collet	2
24	B 0733	Skt. Hd. Cap Screw – 1/4" UNC x 3/8" Long	4

# No. 42ST



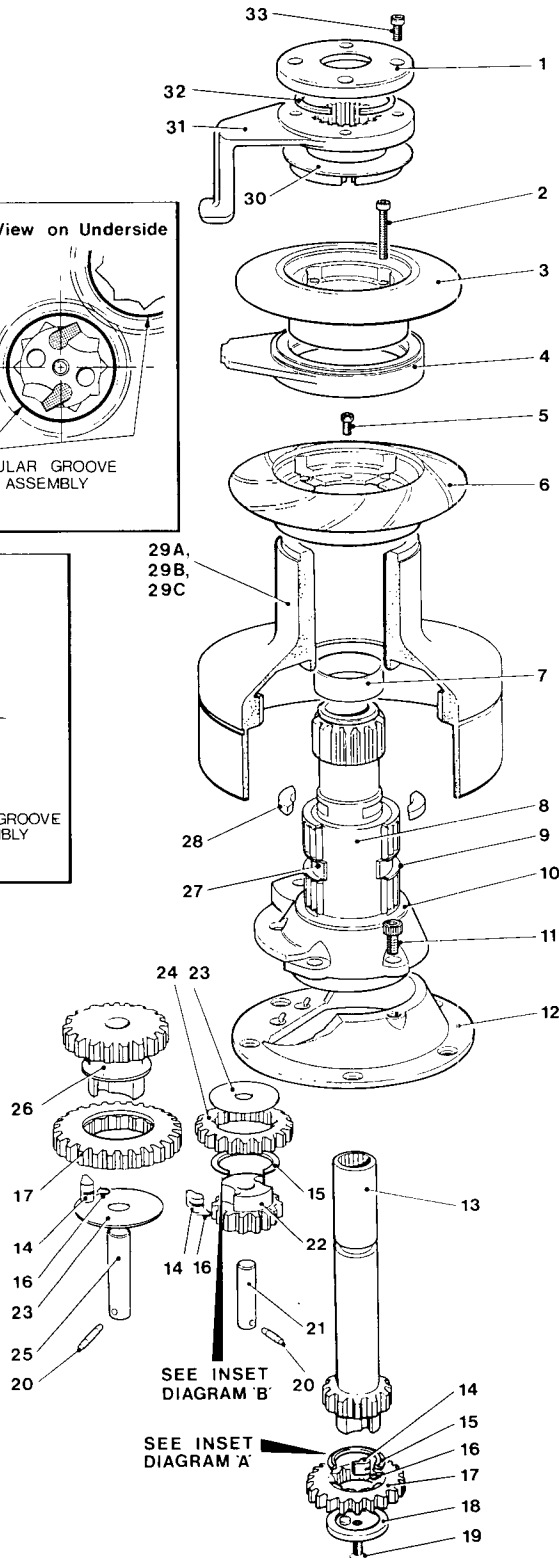
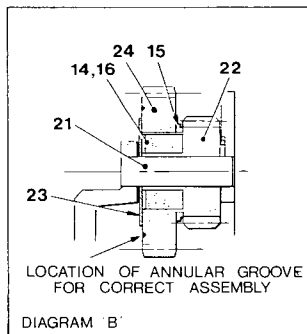
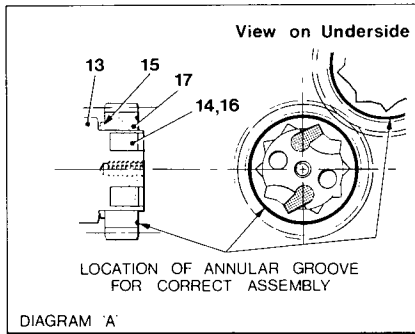
## No. 42 Self Tailing Winch

Item No.	Part No.	Description	No. Off
1	15042607	Top Cap	1
2	B 0721	Skt. Hd. Cap Screw – 1/4" UNC x 1" Long	3
3	15042604	Upper Crown Plate	1
4	15042641	Stripper Ring Insert	2
5	15042606	Stripper Ring	1
6A	15042402	Drum – Bronze	1
6B	15042502	Drum – Alloy	1
7	15042601	Centre Stem	1
8	15010005	Key	1
9	15042010	Drum Washer	1
10	15042603	Spindle	1
11	15042009	Gear	1
12	15016007	Retaining Plate	1
13	B 2085	Circlip	1
14	15042008	Pawl Gear	1
15	1260/7	Pawl Spring	4
16	1260/8	Pawl	4
17	15030005	Ratchet Gear	1
18	15042005	Gear Spindle	1
19	15042011	Retaining Bush	1
20	15042006	Ratchet Gear	1
21	15042007	Pawl Gear	1
22	15042004	Gear Spindle	1
23	15010007	Roller Bearing	2
24	15042012	Spacer	1
25	15042609	Flanged Bush	1
26	15042605	Stripper Arm	1
27	15042608	Collet	2
28	B 0733	Skt. Hd. Cap Screw – 1/4" UNC x 3/8" Long	4

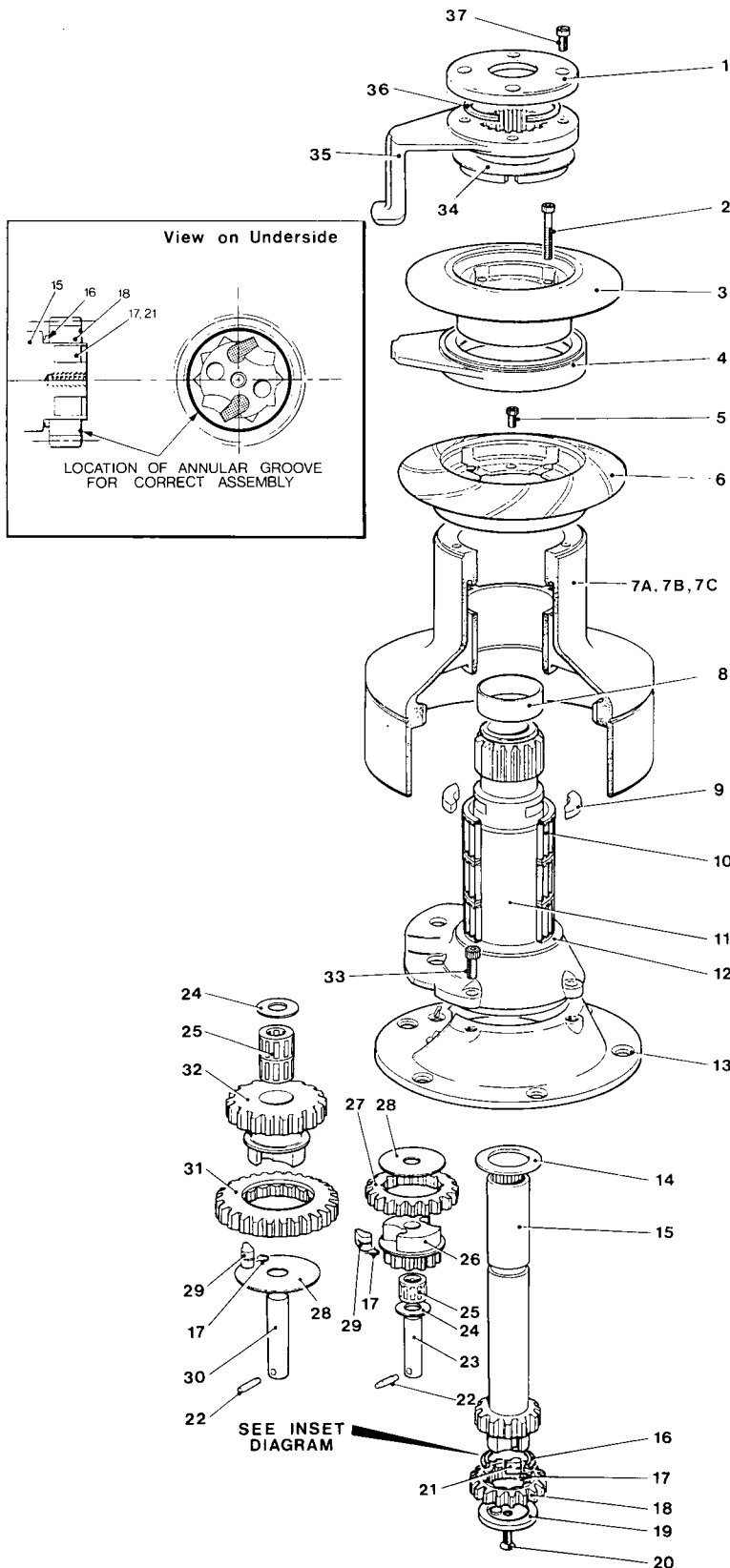
# No. 44ST

## No. 44 Self Tailing Winch

Item No.	Part No.	Description	No. Off
1	15044639	Top Cap	1
2	B.0729	Skt. Hd. Cap Screw - 1/4" UNC x 1 1/2" Long	3
3	15044644	Upper Crown Plate	1
4	15044649	Stripper Ring	1
	15044641	Stripper Ring Insert	2
5	B.0723	Skt. Hd. Cap Screw - 1/4" UNC x 1/2" Long	3
6	15044635	Lower Crown Plate	1
7	15000308	Collar	1
8	15000007	Centre Stem - Upper	1
9	15044121	Roller Bearing	2
10	15044116	Drum Washer	1
11	B.0719	Skt. Hd. Cap Screw - 5/8" UNC x 1/2" Long	4
12	15000009	Centre Stem - Lower	1
13	15044633	Spindle	1
14	1260/8	Pawl	6
15	15025107	Spacer	2
16	1260/7	Pawl Spring	6
17	15016105	Ratchet Gear	2
18	15016107	Spindle End Cap	1
19	B.0515	C'sk. Screw - 1/4" UNC x 1/2" Long	1
20	B.1516	Spirol Pin	2
21	15000011	Gear Spindle	1
22	15025105	Pawl Gear	1
23	15025106	Washer	2
24	15041105	Ratchet Gear	1
25	15000010	Gear Spindle	1
26	15044107	Output Gear	1
27	15065115	Spacer	1
28	15040605	Key	2
29A	15000074	Drum - Bronze	1
29B	15044502	Drum - Alloy	1
29C	15044602	Drum - St. Steel	1
30	15044627	Flanged Bush	1
31	15044648	Stripper Arm	1
32	15044637	Collet	2
33	B.0733	Skt. Hd. Cap Screw - 1/4" UNC x 3/8" Long	4



# No. 48ST

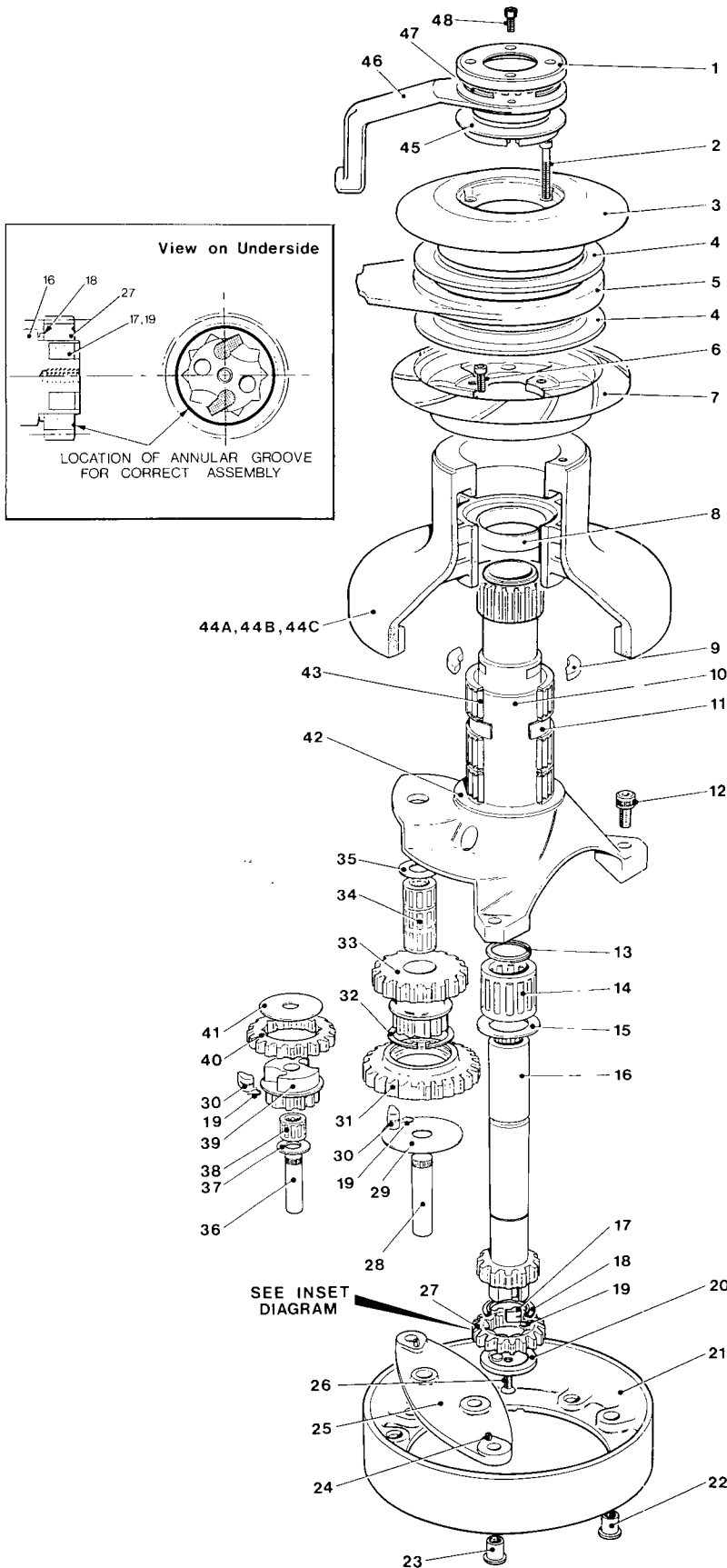


## No. 48 Self Tailing Winch

Item No.	Part No.	Description	No. Off
1	15044639	Top Cap	1
2	B.0729	Skt. Hd. Cap Screw - 1/4" UNC x 1 1/2" Long	3
3	15048644	Upper Crown Plate	1
4	15048649	Stripper Ring	1
	15048641	Stripper Ring Insert	2
5	B.0723	Skt. Hd. Cap Screw - 1/4" UNC x 1/2" Long	3
6	15048635	Lower Crown Plate	1
7A	15000097	Drum - Bronze	1
7B	15048502	Drum - Alloy	1
7C	15048602	Drum - St. Steel	1
8	15000308	Collar	1
9	15040605	Key	2
10	15044121	Roller Bearing	3
11	15000012	Centre Stem - Upper	1
12	15044116	Drum - Washer	1
13	15000014	Centre Stem - Lower	1
14	1300/21	Washer	1
15	15048633	Spindle	1
16	15025107	Spacer	1
17	1260/7	Pawl Spring	6
18	15048104	Ratchet Gear	1
19	15016107	Spindle End Cap	1
20	B.0515	C'sk. Screw - 1/4" UNC x 1/2" Long	1
21	1260/8	Pawl	2
22	B.1516	Spirol Pin	2
23	15000016	Gear Spindle	1
24	1300/22	Washer	2
25	1300/SA2	Roller Bearing	3
26	1300/8	Pawl Gear	1
27	1300/7	Ratchet Gear	1
28	1264/7	Washer	2
29	1264/8	Pawl	4
30	15000015	Gear Spindle	1
31	1300/5	Ratchet Gear	1
32	1300/6	Pawl Gear	1
33	B.0719	Skt. Hd. Cap Screw - 5/16" UNC x 3/4" Long	4
34	15044627	Flanged Bush	1
35	15048648	Stripper Arm	1
36	15044637	Split Collet	2
37	B.0733	Skt. Hd. Cap Screw - 1/4" UNC x 3/8" Long	4



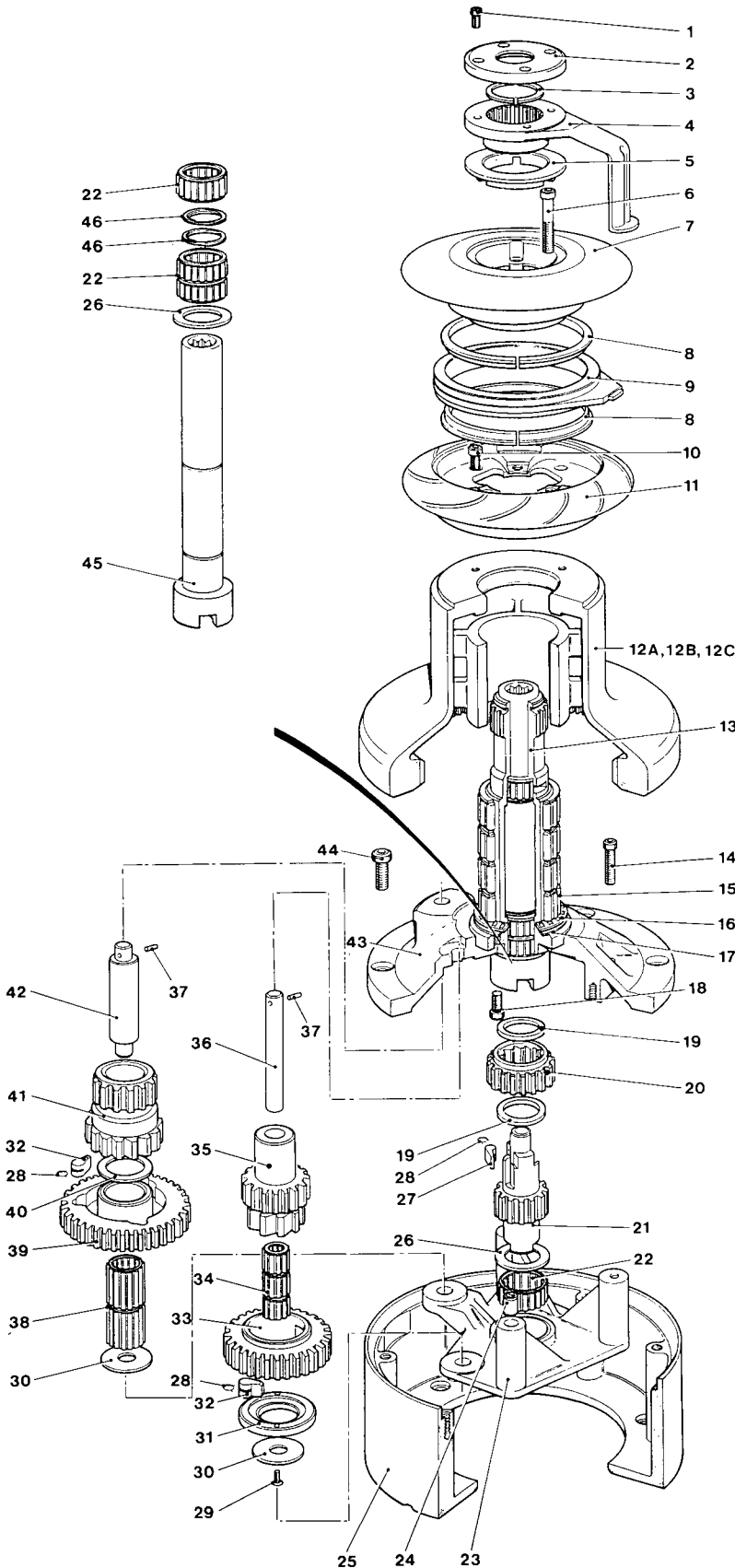
# No. 55ST



## No. 55 Self Tailing Winch

Item No.	Part No.	Description	No. Off
1	15044639	Top Cap	1
2	B 0731	Skt. Hd. Cap Screw – 1/4" UNC x 1 3/4" Long	3
3	15055644	Upper Crown Plate	1
4	15055641	Stripper Ring Insert	2
5	15055649	Stripper Ring	1
6	B 0709	Skt. Hd. Cap Screw – 1/4" UNC x 1/2" Long	3
7	15055645	Lower Crown Plate	1
8	15044638	Collar	1
9	15040605	Key	2
10	15055631	Centre Stem	1
	15055636	Centre Stem Extension	1
	15044614	Pin	1
11	15048105	Spacer	1
12	B 0714	Skt. Hd. Cap Screw – 3/8" UNC x 3/4" Long	3
13	B 2079	Circlip	1
14	1264/SA2	Roller Bearing	1
15	1300/21	Washer	1
16	15055603	Spindle	1
17	1260/8	Pawl	2
18	15025107	Spacer	1
19	1260/7	Pawl Spring	6
20	15016107	Spindle End Cap	1
21	15055204	Base	1
22	1301/22	Dowel	1
23	1301/17	Dowel	2
24	B 1506	Spirol Pin	2
25	15055105	Bridge Piece	1
26	B 0515	C'sk. Screw – 1/4" UNC x 1/2" Long	1
27	15048104	Ratchet Gear	1
28	1301/10	Gear Spindle	1
29	1301/11	Washer	1
30	1264/8	Pawl	4
31	1301/7	Pawl Gear	1
32	B 2077	Circlip	1
33	1301/6	Ratchet Gear	1
34	1301/SA2	Roller Bearing	3
35	1301/19	Washer	1
36	1264/6	Gear Spindle	1
37	1300/22	Washer	1
38	1300/SA2	Roller Bearing	1
39	1300/8	Pawl Gear	1
40	1300/7	Ratchet Gear	1
41	15055119	Washer	1
42	15044116	Drum Washer	1
43	15044121	Roller Bearing	3
44A	15000096	Drum – Bronze	1
44B	15055502	Drum – Alloy	1
44C	15055602	Drum – St. Steel	1
45	15044627	Flanged Bush	1
46	15055648	Stripper Arm	1
47	15044637	Split Collet	2
48	B 0733	Skt. Hd. Cap Screw – 1/4" UNC x 3/8" Long	4

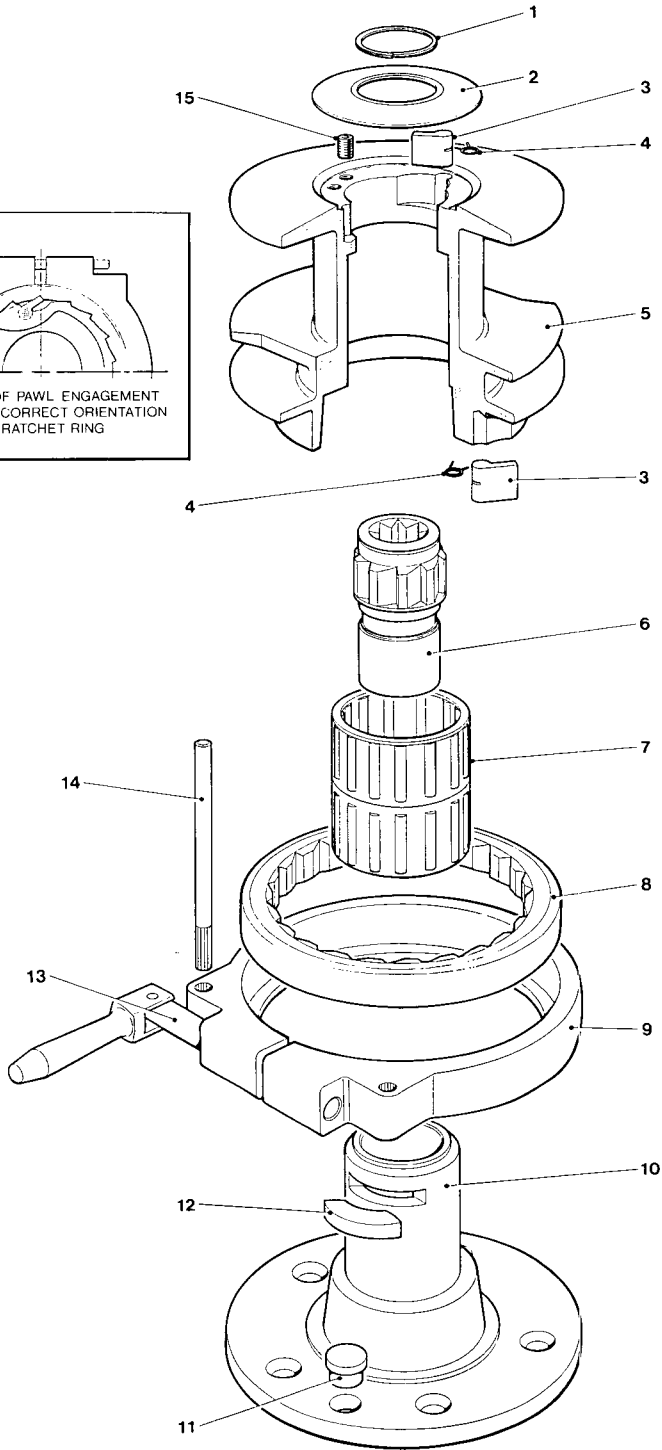
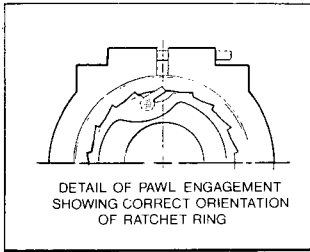
# No. 65 ST



## No. 65 Self Tailing Winch

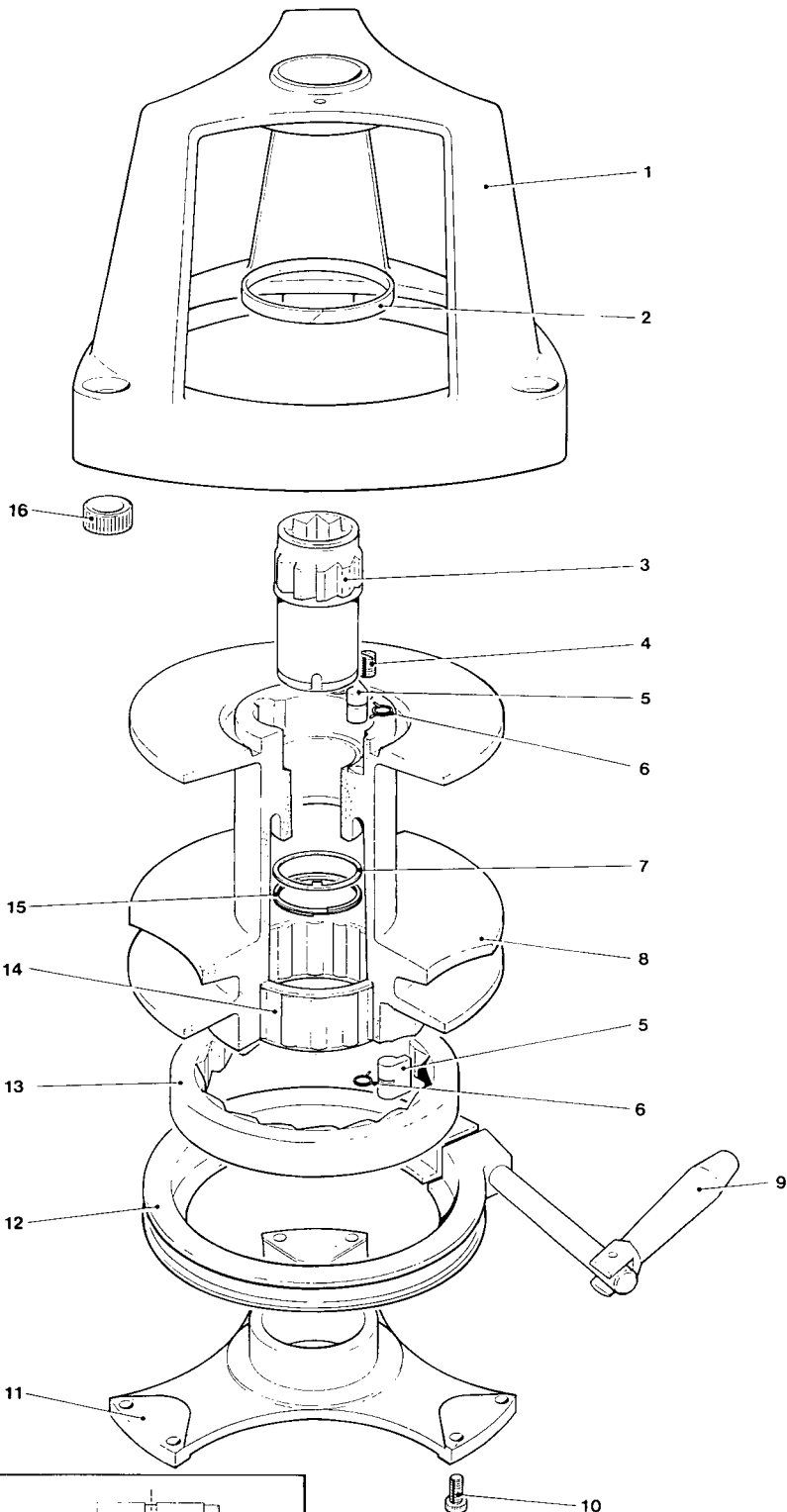
Item No.	Part No.	Description	No. Off
1	B.0733	Skt. Hd. Cap Screw - 1/4" UNC x 3/8" Long	4
2	15044639	Top Cap	1
3	15044637	Split Collet	2
4	15065648	Stripper Arm	1
5	15044627	Flanged Bush	1
6	B.0731	Skt. Hd. Cap Screw - 1/4" UNC x 1 3/4" Long	3
7	15065644	Upper Crown Plate	1
8	15065641	Stripper Ring Insert	2
9	15065649	Stripper Ring	1
10	B.0709	Skt. Hd. Cap Screw - 1/4" UNC x 1/2" Long	3
11	15065645	Lower Crown Plate	1
12A	15000032	Drum - Bronze	1
12B	15000248	Drum - Alloy	1
12C	15000081	Drum - St. Steel	1
13	15000050	Centre Stem - Upper	1
14	B.0698	Skt. Hd. Cap Screw - 5/8" UNC x 1 1/2" Long	3
15	15044121	Roller Bearing	4
16	18080015	Thrust Bearing	1
17	15000082	Drum Washer	1
18	B.0730	Skt. Hd. Cap Screw - 1/8" UNC x 5/8" Long	8
19	15000303	Spacer	2
20	15000242	Ratchet Gear	1
21	15000241	Spindle Extension	1
22	15000019	Roller Bearing	4
23	15000048	Bridge Piece	1
	15000053	Bridge Piece Sleeve	1
24	15065111	Hollow Dowel	2
25	15000197	Base Alloy	1
26	15000024	Washer	2
27	1260/8	Pawl	2
28	1260/7	Pawl Spring	7
29	B.0511	Csk. Screw - 2 BA x 3/8" Long	2
30	15000247	Washer	2
31	15000023	Retaining Plate	1
32	1264/8	Pawl	5
33	15000040	Pawl Gear	1
34	15000017	Roller Bearing	3
35	15000245	Idler Gear	1
36	15000240	Gear Spindle	1
37	B.1501	Spirol Pin	2
38	15000018	Roller Bearing	2
39	15000244	Pawl Gear	1
40	15000246	Washer	1
41	15000243	Ratchet Gear	1
42	15000239	Gear Spindle	1
43	15000049	Centre Stem - Lower	1
44	B.0714	Skt. Hd. Cap Screw - 3/8" UNC x 3/4" Long	6
45	15000238	Main Spindle	1
46	B.2086	Circlip	2

# No. 1

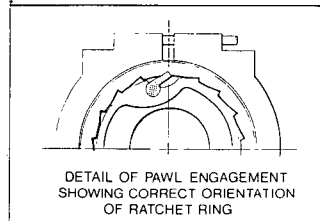


No. 1 Halliard Winch			
Item No.	Part No.	Description	No. Off
1	B.2075	Circlip	1
2	18000047	Top Cap	1
3	1260/8	Pawl	4
4	1260/7	Pawl Spring	4
5	15001022	Drum	1
6	15008003	Spindle	1
7	15008007	Roller Bearing	2
8	15001024	Ratchet Ring	1
9	15001025	Brake Strap	1
	B.1992	Halliard Plate	1
10	15001021	Centre Stem	1
11	15001008	Locating Pin	1
12	15008005	Key	1
13	15001010	Brake Lever	1
	15001011	Brake Screw	1
	15001009	Handle Rivet	1
14	15001006	Guard Rod	2
15	B.0901	Grub Screw	2

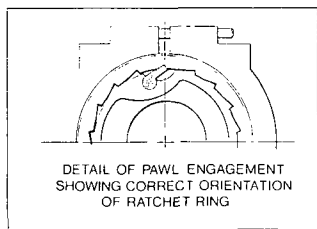
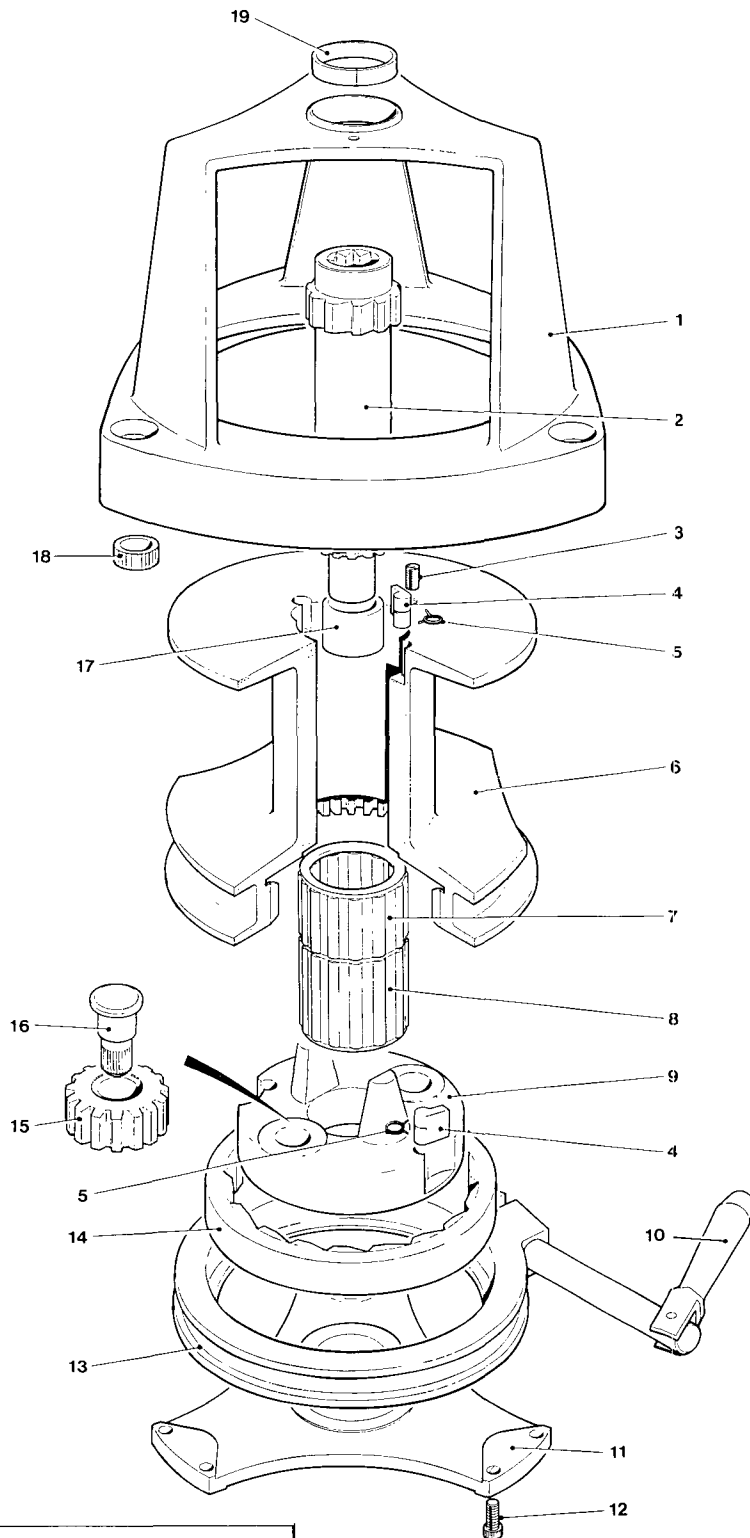
# No. 2



No. 2 Halliard Winch			
Item No.	Part No.	Description	No. Off
1	1282/1	Drum Casing	1
2	1282/8	Bush	1
3	1266/3	Main Spindle	1
4	B 0901	Grub Screw	2
5	1260/8	Pawl	4
6	1260/7	Pawl Spring	4
7	1266/6	Tab Washer	1
8	1282/2	Drum	1
9	15001010	Brake Lever	1
	15001009	Handle Rivet	1
	1282/7	Brake Screw	1
10	B 0705	Screw	6
11	1282/5	Base Plate	1
12	1280/4	Brake Strap	1
	B 1992	Halliard Plate	1
13	1280/7	Ratchet Ring	1
14	1260/SA2	Roller Bearing	1
15	B 2080	Circlip	1
16	1283/13	Casing Insert	1



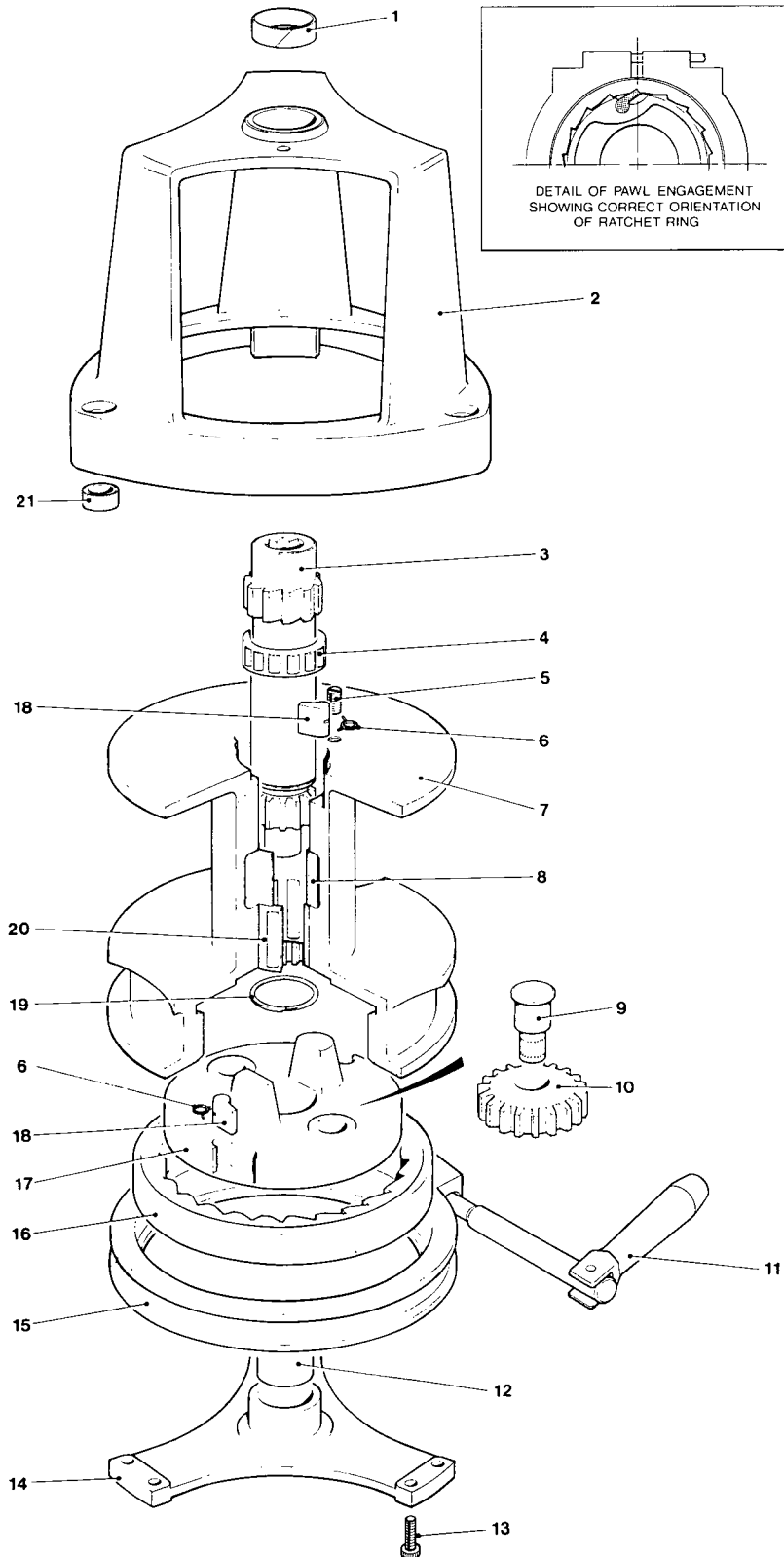
# No. 2-2



## No. 2 2 Speed Halliard Winch

Item No.	Part No.	Description	No. Off
1	1280/1	Drum Casing	1
2	1280/3	Spindle	1
3	B.0901	Grub Screw	2
4	1260/8	Pawl	4
5	1260/7	Pawl Spring	4
6	1280/2	Drum	1
7	1287/SA1	Roller Bearing	1
8	1264/SA2	Roller Bearing	1
9	1280/6	Planet Carriage	1
10	15001010	Brake Lever	1
	15001009	Handle Rivet	1
	1282/7	Brake Screw	1
11	1280/5	Base Plate	1
12	B.0705	Screw	6
13	1280/4	Brake Strap	1
	B.1992	Halliard Plate	1
14	1280/7	Ratchet Ring	1
15	1280/8	Idler Gear	2
16	1280/9	Idler Spindle	2
17	B.1630	Bush	1
18	1283/13	Insert	3
19	1280/10	Strip Bearing	1

# No. 3



## No. 3 Halliard Winch

Item No.	Part No.	Description	No. Off
1	1283/12	Strip Bearing	1
2	1283/1	Drum Casing	1
3	1283/7	Main Spindle	1
4	1287/SA1	Roller Bearing	1
5	B 0901	Grub Screw	2
6	1260/7	Pawl Spring	4
7	1283/2	Drum	1
8	1283/15	Tube Spacer	1
9	1283/9	Idler Gear Spindle	2
10	1283/8	Idler Gear	2
11	15001009	Handle Rivet	1
	1283/SA2	Brake Lever	1
	1283/10	Brake Screw	1
12	B 1630	Bush	1
13	B 0705	Screw	6
14	1283/5	Base Plate	1
15	1283/4	Brake Strap	1
	B 1992	Halliard Plate	1
16	1283/3	Ratchet Ring	1
17	1283/6	Planet Carriage	1
18	1264/8	Pawl	4
19	B 2075	Circlip	1
20	1264/SA2	Roller Bearing	1
21	1283/13	Casing Insert	3

## **Lewmar Worldwide Service and Spares**

Full service care, spare parts and assistance are available from Lewmar offices and distributors worldwide. In case of any difficulty with your Lewmar winches contact your nearest Lewmar office or distributor.

### **Lewmar Marine Limited (Head Office)**

Southmoor Lane, Havant  
Hampshire PO9 1JJ, England  
tel: Havant (0705) 471841-3  
tlx: 86342 LEWMAR G

### **Lewmar Marin AB**

Box 6073  
S-172 06 Sundbyberg, Sweden  
tel: (08) 98 04 75  
tlx: 15184 LEWMAR S

### **Lewmar Sud Europe S.A.R.L.**

Avenue Louis Lumiere  
Z.I. de Perigny  
17000 La Rochelle, France  
tel: (46) 44 39 66  
tlx: 792202 YACHTEQ F

### **Lewmar Marine Inc. (East Coast)**

Box 390  
125 Wilbur Place, Bohemia  
Long Island, N.Y. 11716, USA  
tel: (516) 567 7770  
twx: 5102282615 LEWMAR BOMA

### **Lewmar Marine Inc. (West Coast)**

4009 Segerstrom, Santa Ana  
California 92704, USA  
tel: (714) 979 5413  
tlx: 678436 UWP SNA

### **Lewmar Marine Limited**

136 Adelaide Street East  
Toronto, M5C 1L6, Canada  
tel: (416) 363 6151  
tlx: 24332 TOMTAYCO

#### **Lewmar Guarantee**

Lewmar winches have been developed over many years by extensive testing aboard the world's finest ocean racers, long distance cruising yachts and match racing yachts such as 12 metres. They are manufactured to quality standards in excess of those required by Lloyds and only the finest materials are used.

If installed, used and maintained as described in this leaflet, they will give outstanding performance.

Lewmar undertake that any winch which proves defective in materials or workmanship within 1 year of the date of supply will be repaired or replaced FREE OF CHARGE provided that the winch is returned by the registered owner to the nearest Lewmar office or distributor for examination. Lewmar reserve all rights on determining the nature of the alleged fault and their decision is final.

All rights reserved  
Copyright Lewmar Marine Ltd 1981  
Printed in England  
Produced by Owen Print and Graphics Ltd

Code No. SM 3

**Lewmar Service Manual  
Volume III**

