

OCR10-M46701EN

# Introduction

1. This parts catalog contains the previous information on the 4JH3E (Pats Catalog No. :000Y00R4670) as well as the new one on the 4JH3E-TE (Pats Catalog No. :000Y00R4740) and 4JH3CE, 4JH3CE1, 4JH3E-TCE.

	Parts catalog No.	Date of issue	Remarks
First edition	000Y00R4670	May, 1997	No need
First edition	000Y00R4740	May, 1998	No need
1st edition (supplement)	000Y00R4671	Oct., 2002	

2. This parts catalog does not cover the reduction reverser and outboard engine. Please refer to the separate parts catalog, (No. 000Y00R3001 KM4A KM4A1 or 000Y00R4790 KMH4A or 000Y00R4900 KM3A1 or 000Y00R4910 KM3P4 or 000Y00R5470 KBW20-1 KBW21 or 000Y00F5970 KM35A KM35P or 000Y00F4021 SD31 or 000Y00F5761 SD40 SD40-4T), which covers the reverser.

3. Standard finish color. Yanmar color silver Metallic
- |                        |                      |
|------------------------|----------------------|
| Parts No. 977620-10070 | 1L (Packed in a can) |
| Parts No. 977620-40070 | 4L (Packed in a can) |
| Parts No. TOR-90090003 | Spray (1 piece)      |

4. This parts catalog does not contain the technical data needed for maintenance service.
5. The illustrations used in this parts catalog have been simplified for clarity.
6. Specification

Engine model	4JH3E	4JH3CE	4JH3CE1	4JH3-TE	4JH3-TCE		
Type	4-stroke, vertical, water-cooled, diesel engine						
No. of cylinder - Bore (mm) x Stroke (mm)	4 - 84 x 90						
Continuous rating kW/min <sup>-1</sup> (PS/rpm)	36.8/3650 (50/3650)	34.6/3650 (47/3650)	36.8/3650 (50/3650)	50.7/3700 (69/3700)			
Combustion system	Direct injection						
Starting system	Electric starting 12V-1.2kW			Electric starting 12V-1.4kW			
Power take-off position	Flywheel side						
Cooling system	Fresh water (Filtered sea water) cooling						
Lubrication system	Forced lubrication						
Reduction reverse	KM3P4	2.36 2.61	SD31	SD40	KM4A	SD40-4T	
	KM35P				KMH4A		
	KM3A1	2.33 2.64			KBW21		2.17 2.62
	KM35A						
	KM4A1	1.47 2.14 2.63 3.30					
	KBW20-1	2.17 2.62 3.28					

7. The contents of this parts catalog are subject to change without notice.
8. Be sure to use only Yanmar genuine part for repairs. If imitation parts are used, it may cause engine defects.

# Contents

OCR10-M46701

Fig. No.	Fig. Name
4JH3E(CE/CE1)-TE(TCE)	
1.	CYLINDER BLOCK(4JH3E)
2.	CYLINDER BLOCK(4JH3-TE)
3.	GEAR HOUSING(4JH3E)
4.	GEAR HOUSING(4JH3-TE)
5.	FLYWHEEL HOUSING
6.	MOUNTING FOOT(4JH3E)
7.	MOUNTING FOOT(4JH3-TE)
8.	LUB.OIL SUMP(4JH3E)
9.	LUB.OIL SUMP(4JH3-TE)
10.	LABEL
11.	CYLINDER HEAD(4JH3E)
12.	CYLINDER HEAD(4JH3-TE)
13.	BONNET
14.	SUCTION MANIFOLD
15.	TURBOCHARGER
16.	TURBOCHARGER COMPONENT PART
17.	CAMSHAFT
18.	CRANKSHAFT & FLYWHEEL
19.	PISTON(4JH3E)
20.	PISTON(4JH3-TE)
21.	LUB.OIL COOLER(4JH3E)
22.	LUB.OIL COOLER(4JH3-TE)
23.	LUB.OIL PIPE(4JH3-TE)
24.	LUB.OIL SYSTEM(4JH3E)

Fig. No.	Fig. Name
25.	LUB.OIL SYSTEM(4JH3-TE)
26.	COOLING SEA WATER PUMP
27.	COOLING FRESH WATER PUMP
28.	COOLING FRESH WATER COOLER
29.	COOLING SEA WATER PIPE(4JH3E)
30.	COOLING SEA WATER PIPE(4JH3-TE)
31.	COOLING FRESH WATER PIPE
32.	COOLING SEA WATER STRAINER(OPTIONAL)
33.	BILGE PUMP(STD)
34.	BILGE PUMP(DX)
35.	FUEL INJECTION PUMP(4JH3E)
36.	FUEL INJECTION PUMP(4JH3-TE)
37.	GOVERNOR
38.	FUEL FEED PUMP & TIMER
39.	FUEL INJECTION VALVE
40.	FUEL INJECTION PIPE
41.	FUEL PIPE(4JH3E)
42.	FUEL PIPE(4JH3-TE)
43.	FUEL TANK
44.	ENGINE STOP DEVIC(4JH3E)
45.	ENGINE STOP DEVIC(4JH3-TE)
46.	STARTING MOTOR(4JH3E)
47.	STARTING MOTOR(4JH3-TE)
48.	GENERATOR(4JH3E:PREVIOUS)
49.	GENERATOR(4JH3E:NEW)

# Contents

OCR10-M46701

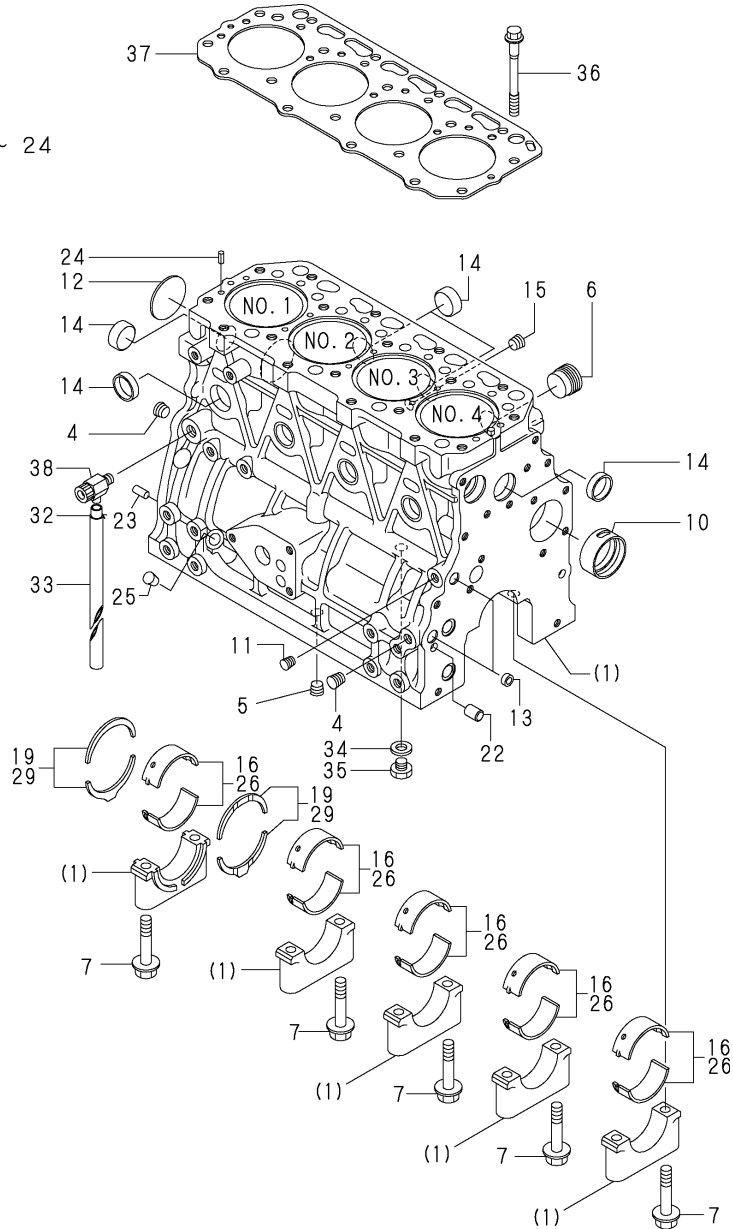
Fig. No.	Fig. Name	Fig. No.	Fig. Name
50.	GENERATOR(4JH3E:OPTIONAL)		
51.	GENERATOR(4JH3-TE)		
52.	GENERATOR(4JH3-TE:PREVIOUS)		
53.	GENERATOR(4JH3-TE:NEW)		
54.	WIRE HARNESS & SENSOR		
55.	WIRE HARNESS(EARTH FLOAT TYPE)		
56.	INSTRUMENT PANEL(B:4JH3E)		
57.	INSTRUMENT PANEL(B:4JH3-TE)		
58.	INSTRUMENT PANEL(C:4JH3E:PREVIOUS)		
59.	INSTRUMENT PANEL(C:4JH3E)		
60.	INSTRUMENT PANEL(C:4JH3-TE)		
61.	INSTRUMENT PANEL(C:4JH3-TE)		
62.	INSTRUMENT PANEL(D:4JH3-TE)		
63.	INSTRUMENT PANEL(E:4JH3-TE)		
64.	PANEL(B:NEW TYPE:4JH3E)		
65.	PANEL(B:NEW TYPE:4JH3-TE)		
66.	PANEL(C:NEW TYPE:4JH3E)		
67.	PANEL(C:NEW TYPE:PREVIOUS)		
68.	PANEL(C:NEW TYPE:4JH3-TE)		
69.	PANEL(D:NEW TYPE:4JH3-TE)		
70.	CLUTCH		
71.	CUPRING		
72.	TOOL		
73.	INSTRUMENT PANEL(B-TYPE/VDO)		
74.	INSTRUMENT PANEL(C-TYPE/VDO)		

Fig.1. CYLINDER BLOCK(4JH3E)

(A)=4JH3E  
(B)=4JH3CE  
(C)=4JH3CE1

(D)=4JH3-TE  
(E)=4JH3-TCE  
(F)=

1 inc.(1) ~ 24

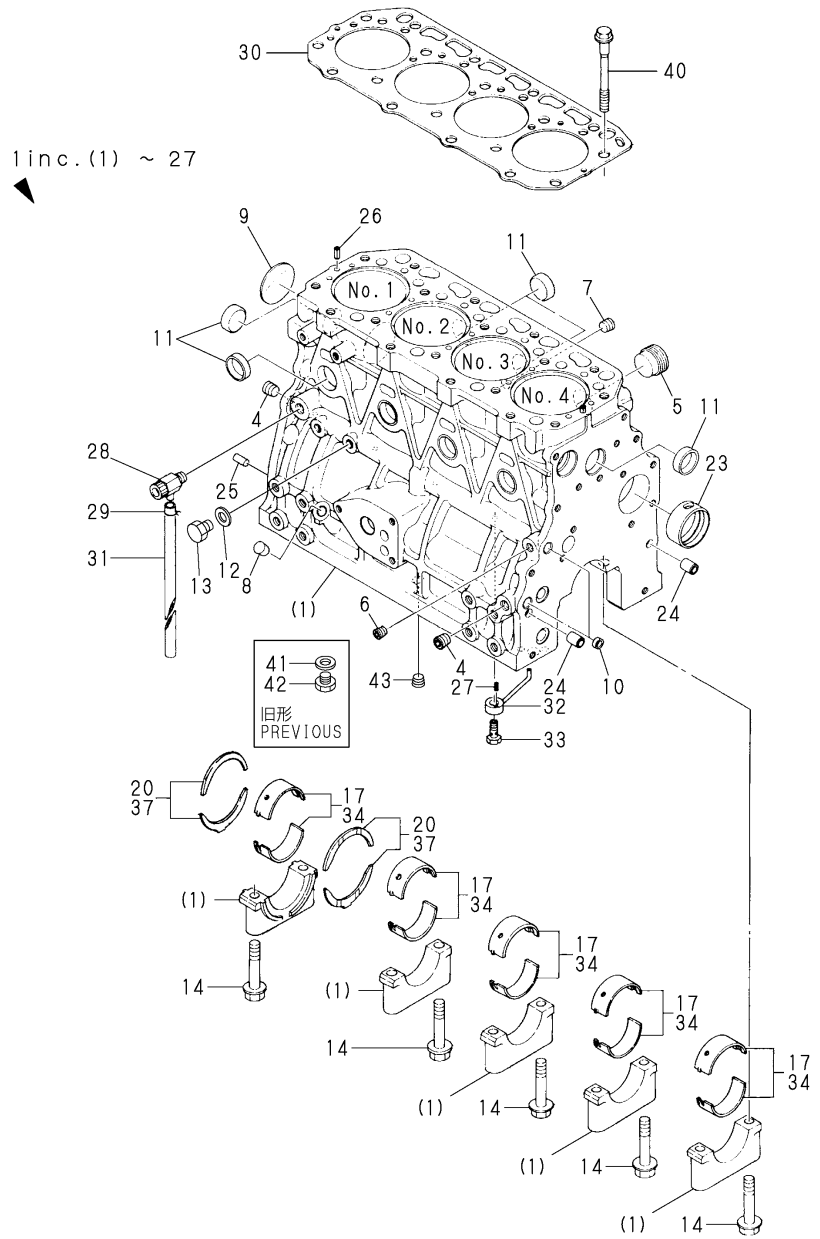


No.	Lev.	Parts No.	Description	Q'ty						I	R
				(A)	(B)	(C)	(D)	(E)	(F)		
1	1	729670-01560	BLOCK ASSY, CYLINDER	1	1	1					
4	3	124160-01910	PLUG, PT1/4	2	2	2					
5	3	124160-01910	PLUG, PT1/4	1	1						Z
(A=E/#21293) (B=E/#21293)											
6	3	171051-01921	PLUG, NPTF1	1	1	1					
7	3	129150-02020	BOLT, METAL CAP	10	10	10					
10	3	129795-02411	BUSH, CAMSHAFT	1	1	1					
11	3	23876-010000	PLUG, R01	1	1	1					
12	3	27231-500000	PLUG 50	1	1	1					
12-1	3	129001-01250	PLUG, 50	1	1	1					N
(A=E/#22379) (B=E/#22379) (C=E/#22379)											
13	3	27241-120000	PLUG, 12	2	2	2					
14	3	27241-300000	PLUG 30	8	8	8					
15	2	23876-030000	PLUG, R03	1	1	1					
16	2	129001-02800	BEARING, MAIN	5	5	5					
16-1	2	129690-02800	BEARING, MAIN	5	5	5					N
(A=E/#23803) (B=E/#23803) (C=E/#23803)											
19	2	129150-02930	BEARING, THRUST	2	2	2					
22	2	129795-01950	PIPE, KNOCK L=18	2	2	2					
23	2	129100-01580	PIN, M8X16	2	2	2					
24	2	22351-060012	PIN, SPRING 6.0X12	2	2	2					
25	1	27225-100140	PLUG, 10X14	1	1	1					
25-1	1	119309-01810	PLUG	1	1	1					R
(A=*2002.09) (B=*2002.09) (C=*2002.09)											
26	1	129150-02870	BEARING, 0.25 US	5	5	5					1
26-1	1	129690-02870	BEARING, 0.25 US	5	5	5					N 1
(A=E/#23803) (B=E/#23803) (C=E/#23803)											
29	1	129150-02940	BEARING, THRUST 0.25	1	1	1					2
32	1	124460-77680	RETAINER	1	1	1					
33	1	23061-070300	PIPE, 7X 300	1	1	1					
34	1	23414-080000	GASKET, 8X1.0	4	4	4					W
(A=E/#23803) (B=E/#23803) (C=E/#23803)											
35	1	26106-080122	BOLT, M8X 12 PLATED	4	4	4					W
(A=E/#23803) (B=E/#23803) (C=E/#23803)											
36	1	129150-01200	BOLT, HEAD	18	18	18					
37	1	129408-01330	GASKET, HEAD	1	1	1					
38	1	128371-01800	COCK ASSY, 1/4	1	1	1					

Remarks

- (1) UNDER SIZE(U.S=0.25)PART.
- (2) OVER SIZE(O.S=0.25)PART.

Fig.2. CYLINDER BLOCK(4JH3-TE)



(A)=4JH3E  
(B)=4JH3CE  
(C)=4JH3CE1

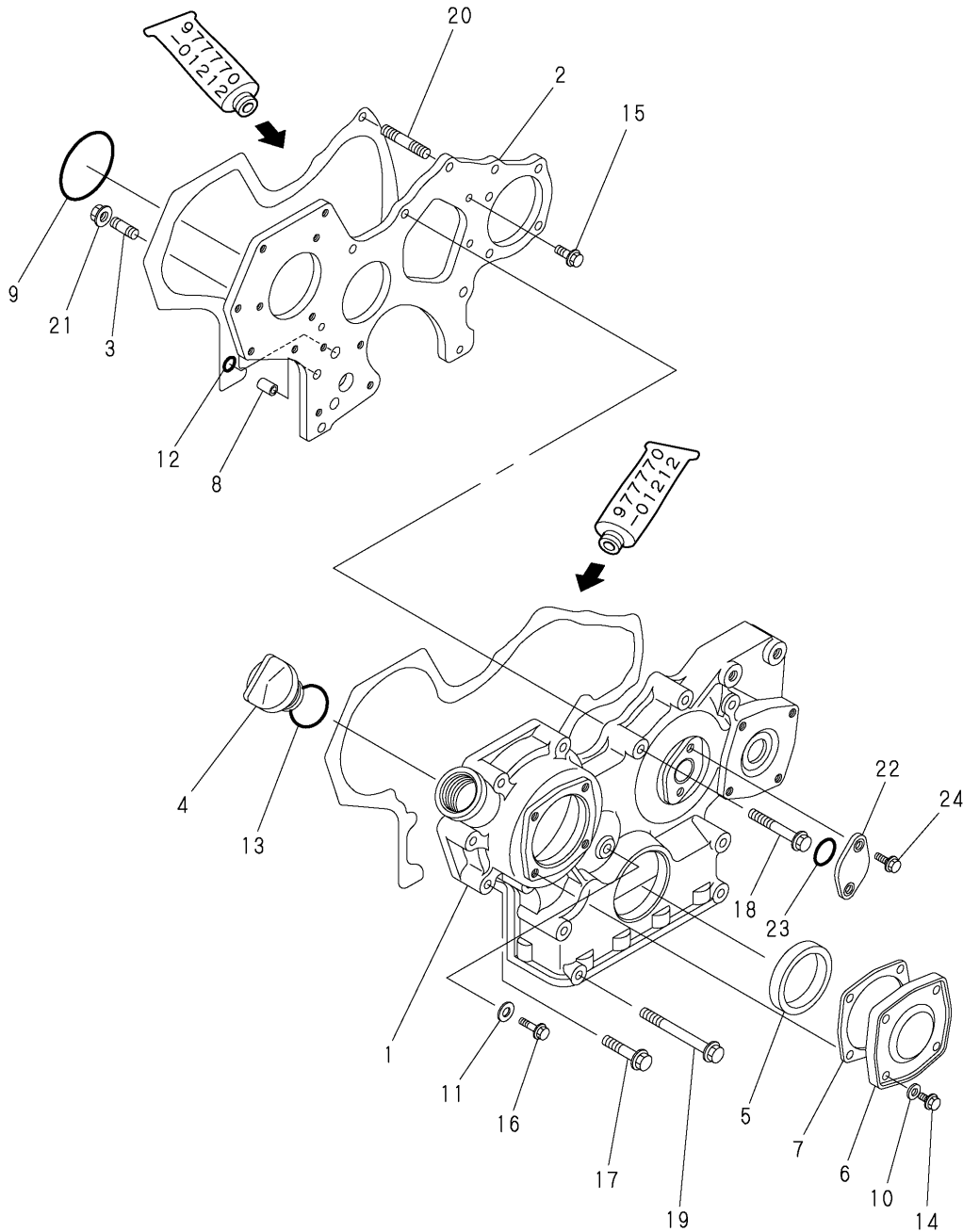
(D)=4JH3-TE  
(E)=4JH3-TCE  
(F)=

No.	Lev.	Parts No.	Description	Q'ty						I	R
				(A)	(B)	(C)	(D)	(E)	(F)		
1	1	729693-01560	BLOCK ASSY, CYLINDER				1	1			
4	3	124160-01910	PLUG, PT1/4				2	2			
5	3	171051-01921	PLUG, NPTF1				1	1			
6	3	23876-010000	PLUG, R01				1	1			
7	3	23876-030000	PLUG, R03				1	1			
8	3	27225-100140	PLUG, 10X14				1	1			
8-1	3	119309-01810	PLUG				1	1		R	
9	3	27231-500000	PLUG 50	(D=*2002.09)	(E=*2002.09)		1				
9-1	3	129001-01250	PLUG, 50				1	1		N	
10	3	27241-120000	PLUG, 12				2	2			
11	3	27241-300000	PLUG 30				8	8			
12	2	23414-100000	GASKET, 10X1.0				1	1			
13	2	23887-100002	PLUG, 10				1	1			
14	2	129150-02020	BOLT, METAL CAP				10	10			
17	2	129150-02800	BEARING, MAIN				5				
17-1	2	129690-02800	BEARING, MAIN				5	5		N	
20	2	129150-02930	BEARING, THRUST				2	2			
23	2	129795-02411	BUSH, CAMSHAFT				1	1			
24	2	129795-01950	PIPE, KNOCK L=18				2	2			
25	2	22312-080160	PIN, PARALLEL M8X16				2	2			
26	2	22351-060012	PIN, SPRING 6.0X12				2	2			
27	2	22351-030010	PIN, SPRING 3.0X10				4	4			
28	1	128371-01800	COCK ASSY, 1/4				1	1			
29	1	124460-77680	RETAINER				1	1			
30	1	129693-01330	GASKET, HEAD				1	1			
31	1	23061-070300	PIPE, 7X 300				1	1			
32	1	129553-39650	NOZZLE				4	4			
33	1	23857-030000	BOLT, JOINT 3				4	4			
34	1	129150-02870	BEARING, 0.25 US				5			1	
34-1	1	129690-02870	BEARING, 0.25 US				5	5		N 1	
37	1	129150-02940	BEARING, THRUST 0.25				2	2		2	
40	1	129150-01200	BOLT, HEAD				18	18			
41	1	23414-120000	GASKET, 12X1.0				1			Z	
42	1	23887-120002	PLUG, 12				1			Z	
43	1	124160-01910	PLUG, PT1/4				1	1		W	

Remarks

- (1) UNDER-SIZED(0.25) PART
- (2) OVER-SIZED(0.25) PART

Fig.3. GEAR HOUSING(4JH3E)



(A)=4JH3E  
(B)=4JH3CE  
(C)=4JH3CE1

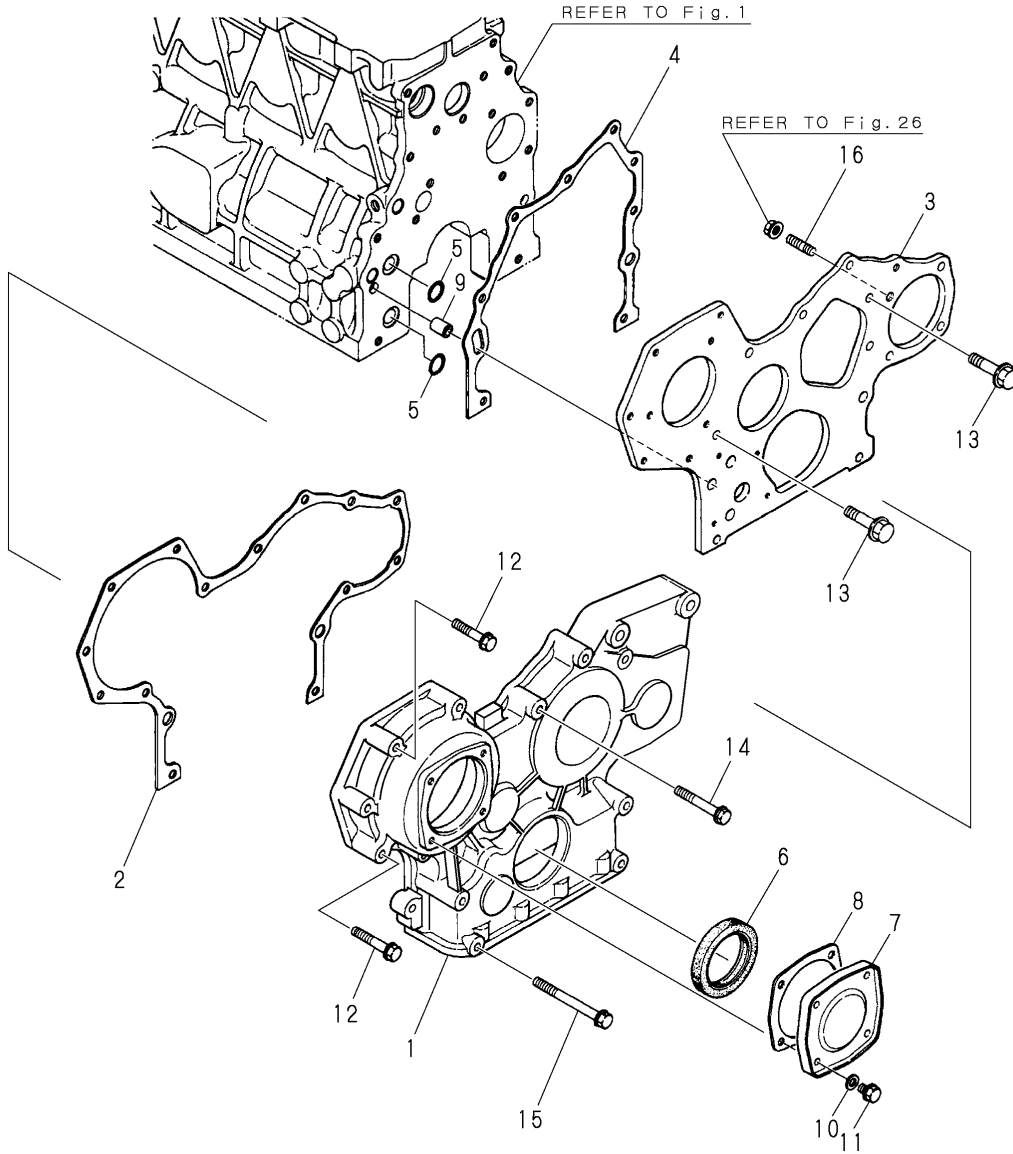
(D)=4JH3-TE  
(E)=4JH3-TCE  
(F)=

No.	Lev.	Parts No.	Description	Q'ty						I	R
				(A)	(B)	(C)	(D)	(E)	(F)		
1	1	129670-01500	CASE, GEAR	1	1	1					
2	1	129100-01520	FLANGE, GEAR CASE	1	1	1					
3	1	121450-01560	STUD, M8X22	3	3	3					
4	1	124160-01751	COVER, FILLER	1	1	1					
5	1	129795-01800	SEAL, OIL	1	1	1					
6	1	129150-01870	COVER	1	1	1					
7	1	129150-01881	GASKET	1	1	1					
7-1	1	129C26-01890	GASKET, HO-P	1	1	1					R
		(A=EXXXXX) (B=EXXXXX) (C=EXXXXX)									
8	1	129795-01950	PIPE, KNOCK L=18	2	2	2					
9	1	121850-51960	O-RING	1	1	1					
10	1	22190-080002	WASHER, SEAL 6	4	4	4					
11	1	22190-080002	WASHER, SEAL 6	1	1	1					
12	1	24311-000160	O-RING, 1AP16.0	2	2	2					
13	1	24311-000320	O-RING, 1AP32.0	1	1	1					
14	1	26106-080122	BOLT, M8X 12 PLATED	4	4	4					
15	1	26106-080162	BOLT, M8X 16 PLATED	3	3	3					
16	1	26106-080162	BOLT, M8X 16 PLATED	1	1	1					
17	1	26106-080452	BOLT, M8X 45 PLATED	6	6	6					
18	1	26106-080552	BOLT, M8X 55 PLATED	3	3	3					
19	1	26106-080852	BOLT, M8X 85 PLATED	4	4	4					
20	1	26216-080182	STUD, M8X 18	1	1	1					
21	1	26306-080002	NUT, M8	3	3	3					
22	1	121023-01550	COVER	1	1	1					
23	1	24341-000240	O-RING, 1AS24.0	1	1	1					
24	1	26106-060162	BOLT, M6X 16 PLATED	2	2	2					

Fig.4. GEAR HOUSING(4JH3-TE)

(A)=4JH3E  
(B)=4JH3CE  
(C)=4JH3CE1

(D)=4JH3-TE  
(E)=4JH3-TCE  
(F)=

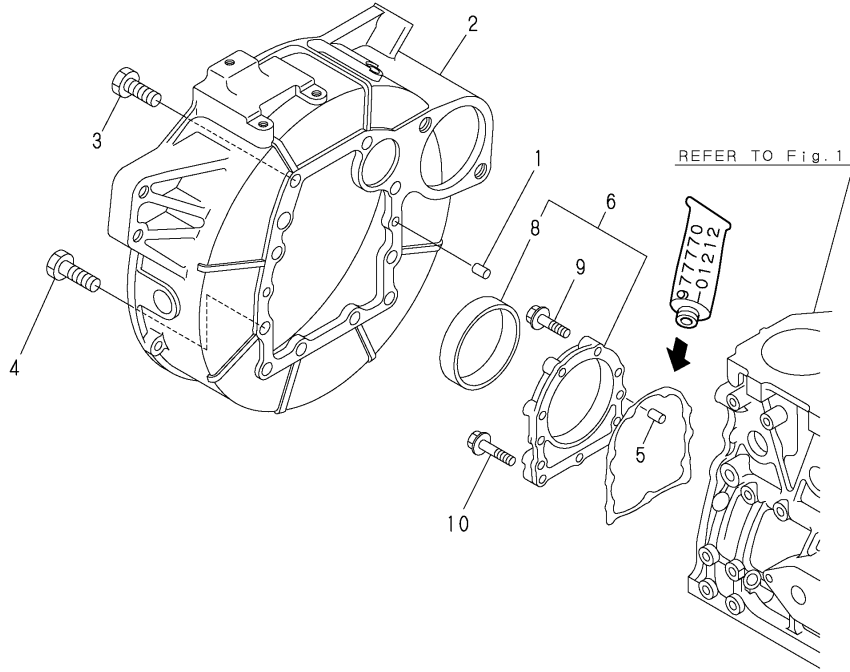


No.	Lev.	Parts No.	Description	Q'ty						I	R
				(A)	(B)	(C)	(D)	(E)	(F)		
1	1	129673-01500	CASE, GEAR				1	1			
2	1	129693-01510	GASKET, GEAR CASE				1	1			
3	1	129693-01520	FLANGE, GEAR CASE				1	1			
4	1	129470-01531	GASKET				1	1			
5	1	129470-01550	O-RING				2	2			
6	1	129795-01800	SEAL, OIL				1	1			
7	1	129150-01870	COVER				1	1			
8	1	129150-01881	GASKET				1	1			
8-1	1	129C26-01890	GASKET, HO-P				1	1		R	
			(D=EXXXXX) (E=EXXXXX)								
9	1	129795-01950	PIPE, KNOCK L=18				2	2			
10	1	23414-080000	GASKET, 8X1.0				4	4			
11	1	26106-080122	BOLT, M8X 12 PLATED				4	4			
12	1	26106-080162	BOLT, M8X 16 PLATED				3	3			
13	1	26106-080452	BOLT, M8X 45 PLATED				2	2			
14	1	26106-080552	BOLT, M8X 55 PLATED				3	3			
15	1	26106-080852	BOLT, M8X 85 PLATED				4	4			
16	1	26216-080182	STUD, M8X 18				1	1			

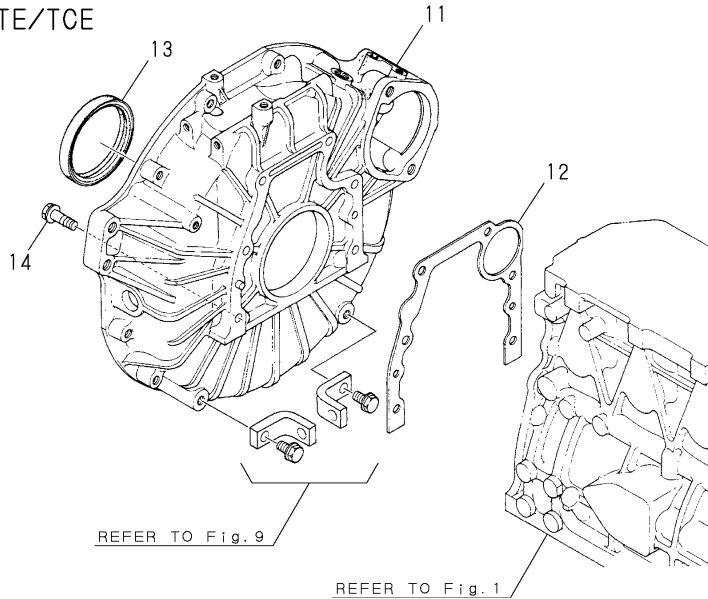


Fig.5. FLYWHEEL HOUSING

4JH3E/CE/CE1



4JH3-TE/TCE



(A)=4JH3E  
(B)=4JH3CE  
(C)=4JH3CE1

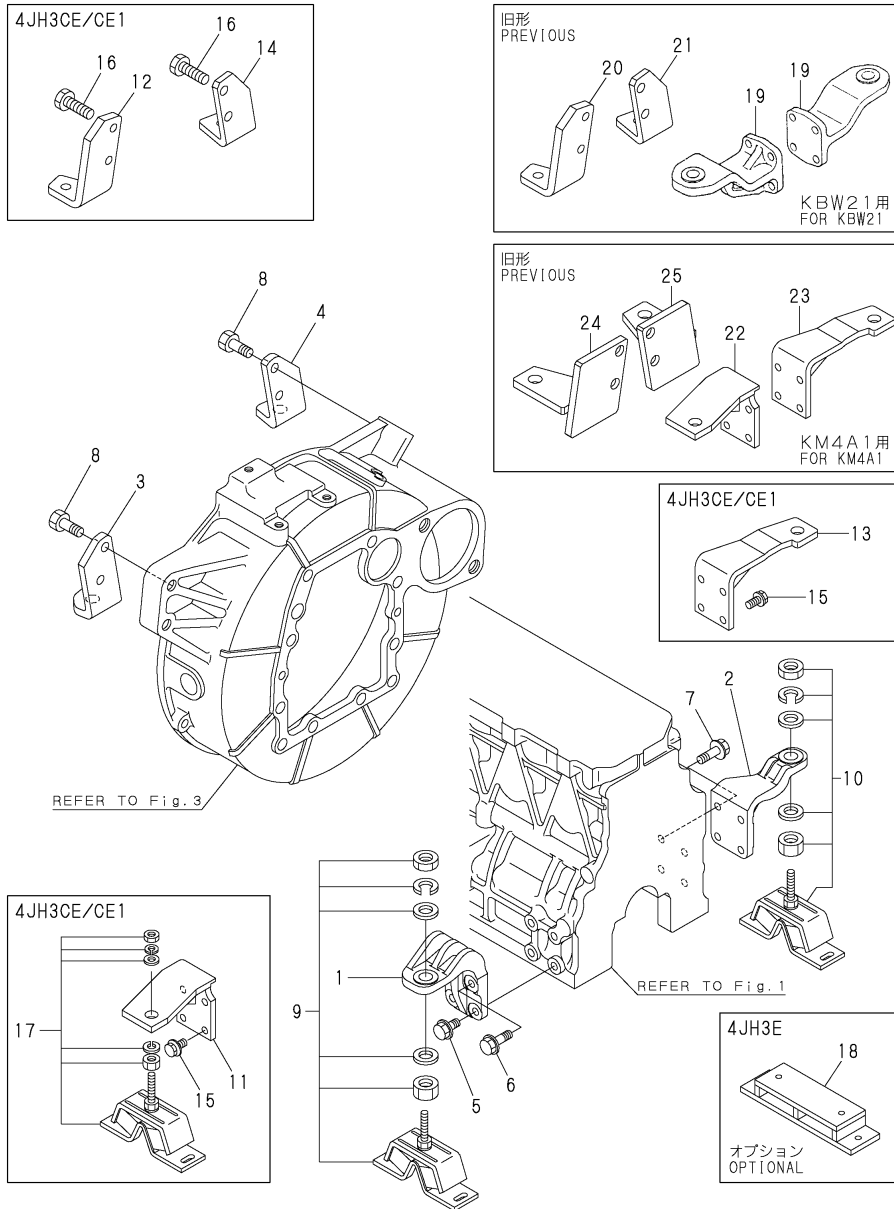
(D)=4JH3-TE  
(E)=4JH3-TCE  
(F)=

No.	Lev.	Parts No.	Description	Q'ty						I	R
				(A)	(B)	(C)	(D)	(E)	(F)		
1	1	129100-01580	PIN, M8X16	2	2	2					
2	1	129670-01600	HOUSING, FLYWHEEL	1	1	1					
3	1	26206-100252	BOLT, M10X 25 PLATED	6	6	6					
4	1	26206-100302	BOLT, M10X 30 PLATED	4	4	4					
5	1	129100-01580	PIN, M8X16	2	2	2					
6	1	129100-01640	CASE ASSY, OIL SEAL	1	1	1					
8	2	129795-01780	SEAL, OIL	1	1	1					
9	1	129486-01670	BOLT, M8X30	6	6	6					
10	1	26106-080352	BOLT, M8X 35 PLATED	3	3	3					
11	1	129673-01600	HOUSING, FLYWHEEL						1	1	
12	1	129470-01620	GASKET						1	1	
13	1	129795-01780	SEAL, OIL						1	1	
14	1	26106-100302	BOLT, M10X 30 PLATED						6	6	

Fig.6. MOUNTING FOOT(4JH3E)

(A)=4JH3E  
(B)=4JH3CE  
(C)=4JH3CE1

(D)=4JH3-TE  
(E)=4JH3-TCE  
(F)=



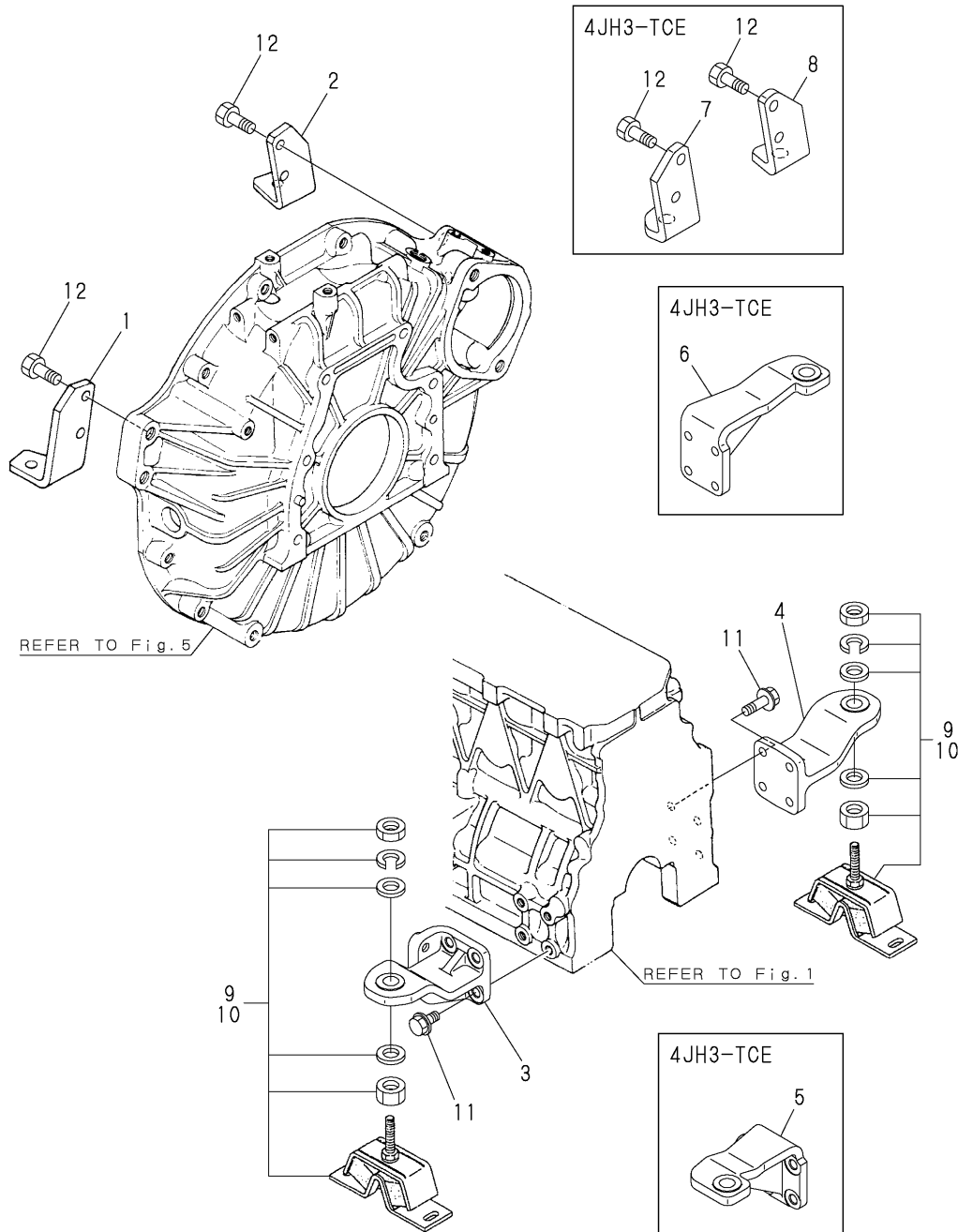
No.	Lev.	Parts No.	Description	Q'ty						I	R
				(A)	(B)	(C)	(D)	(E)	(F)		
1	1	129670-08100	FOOT	1							
2	1	129670-08110	FOOT	1							
3	1	129670-08120	FOOT	1							
4	1	129670-08130	FOOT	1							
5	1	26106-100202	BOLT, M10X 20 PLATED	2							
5-1	1	26106-100222	BOLT, M10X 22 PLATED	2							N
(A=E/#23083)											
6	1	26106-100302	BOLT, M10X 30 PLATED	2							
7	1	26106-100302	BOLT, M10X 30 PLATED	4							
8	1	26116-120302	BOLT, M12X 30 PLATED	4							
8-1	1	26116-120252	BOLT, M12X 25 PLATED	4							N
(A=E/#23083)											
9	1	129670-08340	MOUNT, FLEXIBLE 150	2							
10	1	129670-08350	MOUNT, FLEXIBLE 200	2							
11	1	129473-08100	FOOT			1	1				
12	1	129470-08110	FOOT			1					
12-1	1	129670-08120	FOOT			1	1				R
(B=E/#20550)											
13	1	129473-08110	FOOT			1	1				
14	1	129470-08120	FOOT			1					
14-1	1	129670-08130	FOOT			1	1				R
(B=E/#20550)											
15	1	26106-100202	BOLT, M10X 20 PLATED			8					
15-1	1	26106-100222	BOLT, M10X 22 PLATED			8	8				N
(B=E/#20550)											
16	1	26116-120302	BOLT, M12X 30 PLATED			4					
16-1	1	26116-120252	BOLT, M12X 25 PLATED			4	4				N
(B=E/#20550)											
17	1	120149-08431	MOUNT, FLEXIBLE			2	2				
18	1	129670-08200	SPACER			2					W 1
(A=E/#21757)											
19	1	129470-08100	FOOT			2					Z 2
(A=E/#25682)											
20	1	129670-08150	FOOT			1					Z 2
(A=E/#25682)											
21	1	129670-08160	FOOT			1					Z 2
(A=E/#25682)											
22	1	129473-08100	FOOT			1					Z 3
(A=E/#25682)											
23	1	129473-08110	FOOT			1					Z 3
(A=E/#25682)											
24	1	129670-08180	FOOT			1					Z 3
(A=E/#25682)											
25	1	129670-08190	FOOT			1					Z 3
(A=E/#25682)											

Remarks  
(1)SAIL DRIVE SPEC.  
(2)KBW21  
(3)KM4A1

Fig.7. MOUNTING FOOT(4JH3-TE)

(A)=4JH3E  
(B)=4JH3CE  
(C)=4JH3CE1

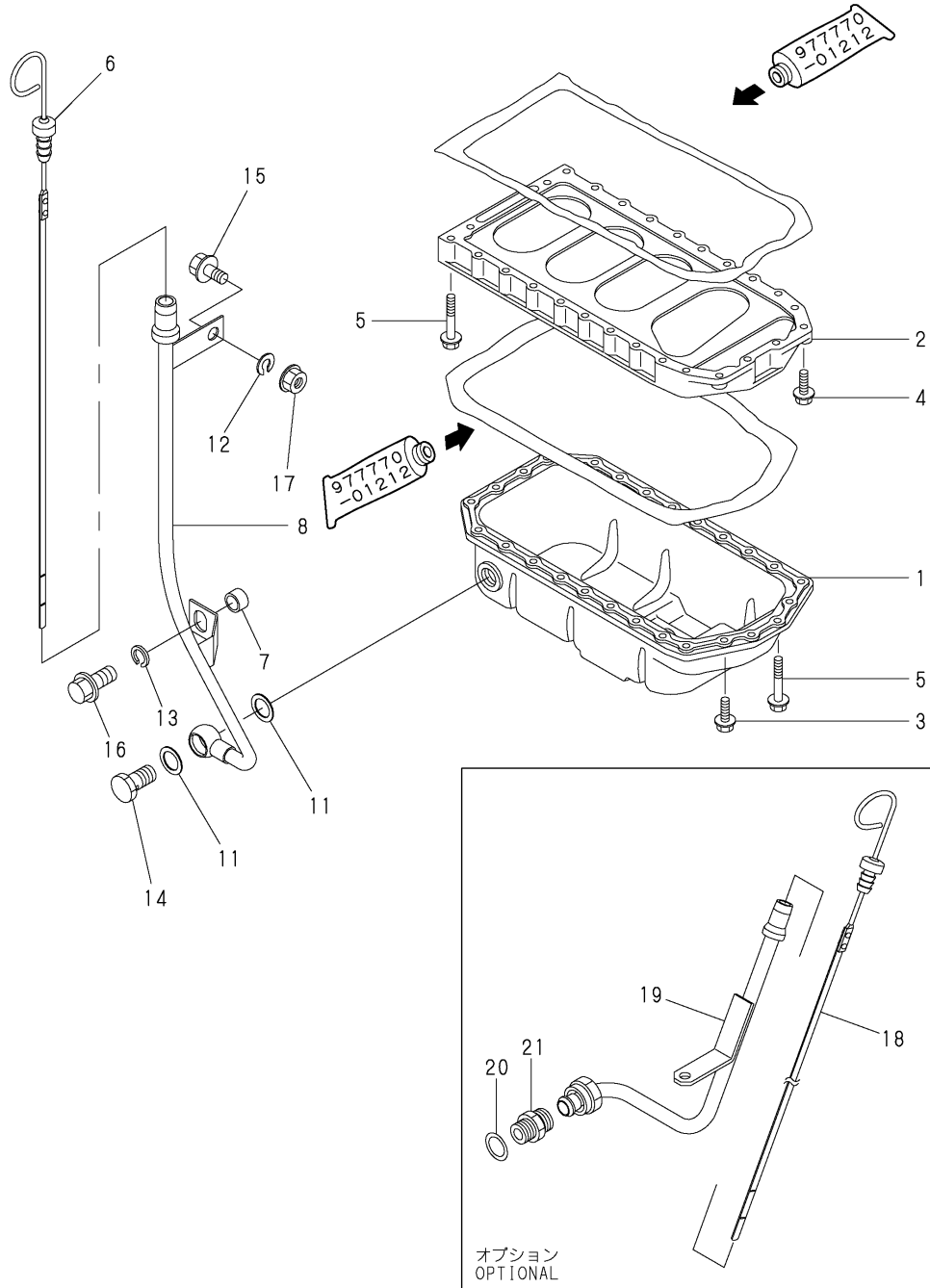
(D)=4JH3-TE  
(E)=4JH3-TCE  
(F)=



No.	Lev.	Parts No.	Description	Q'ty						I	R
				(A)	(B)	(C)	(D)	(E)	(F)		
1	1	129670-08120	FOOT				1				
2	1	129670-08130	FOOT				1				
3	1	129673-08140	FOOT				1				
4	1	129673-08150	FOOT				1				
5	1	129673-08100	FOOT						1		
6	1	129673-08110	FOOT						1		
7	1	129673-08120	FOOT						1		
8	1	129673-08130	FOOT						1		
9	1	129670-08350	MOUNT, FLEXIBLE 200				4				
10	1	120149-08441	MOUNT, FLEXIBLE 300						2		
11	1	26106-100202	BOLT, M10X 20 PLATED				8				
11-1	1	26106-100222	BOLT, M10X 22 PLATED				8	8		N	
12	1	26116-120302	BOLT, M12X 30 PLATED				4	4			

(D=E/#11059)

Fig.8. LUB.OIL SUMP(4JH3E)

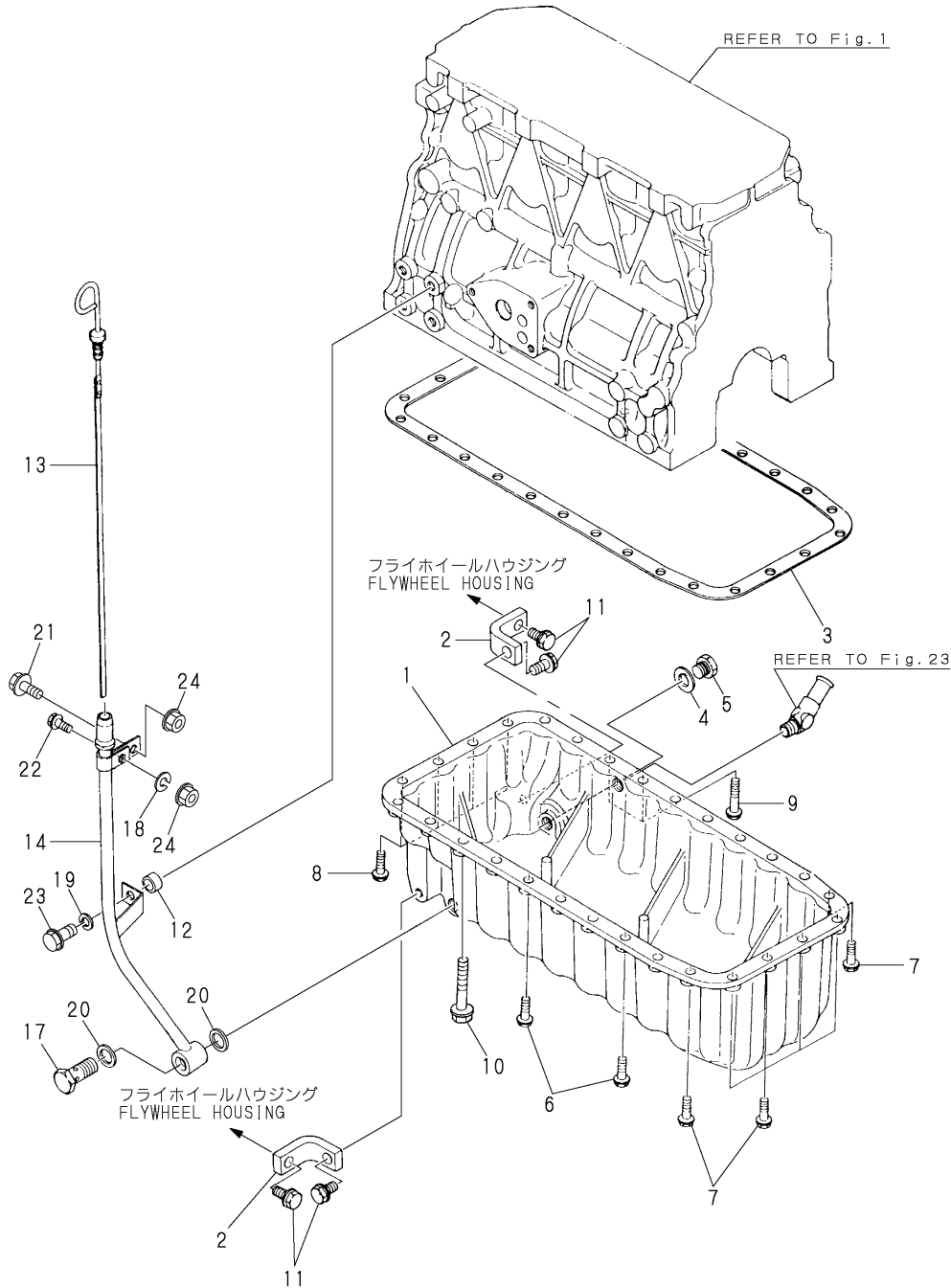


(A)=4JH3E  
(B)=4JH3CE  
(C)=4JH3CE1

(D)=4JH3-TE  
(E)=4JH3-TCE  
(F)=

No.	Lev.	Parts No.	Description	Q'ty						I	R
				(A)	(B)	(C)	(D)	(E)	(F)		
1	1	129670-01720	SUMP, OIL	1	1	1					
2	1	129400-01730	SPACER, OIL SUMP	1	1	1					
3	1	26106-080162	BOLT, M8X 16 PLATED	4	4	4					
4	1	26106-080252	BOLT, M8X 25 PLATED	2	2	2					
5	1	26106-080452	BOLT, M8X 45 PLATED	24	24	24					
6	1	129670-34800	DIPSTICK, OIL	1	1	1					
7	1	129301-34830	SPACER	1	1	1					
8	1	129670-34880	GUIDE ASSY, DIPSTICK	1	1	1					
11	1	22190-140002	WASHER, SEAL 14	2	2	2					
12	1	22217-080000	WASHER, SPRING 8	1	1	1					
13	1	22217-100000	WASHER, SPRING 10	1	1	1					
14	1	23851-080000	JOIT BOLT 8	1	1	1					
15	1	26106-080162	BOLT, M8X 16 PLATED	1	1	1					
16	1	26106-100252	BOLT, M10X 25 PLATED	1	1	1					
16-1	1	26106-100222	BOLT, M10X 22 PLATED	1	1	1					N
		(A=E/#23083) (B=E/#23083) (C=E/#23083)									
17	1	26306-080002	NUT, M8	1	1	1					
18	1	128170-34800	DIPSTICK, OIL	1	1	1					
18-1	1	129670-34810	DIPSTICK, LUB. OIL	1	1	1					N
		(A=E/#25294) (B=E/#25294) (C=E/#25294)									
19	1	129570-34880	GUIDE, DIPSTICK	1	1	1					
20	1	23414-160000	GASKET, 16X1.0	1	1	1					
21	1	23831-100000	UNION, 10	1	1	1					

Fig.9. LUB.OIL SUMP(4JH3-TE)



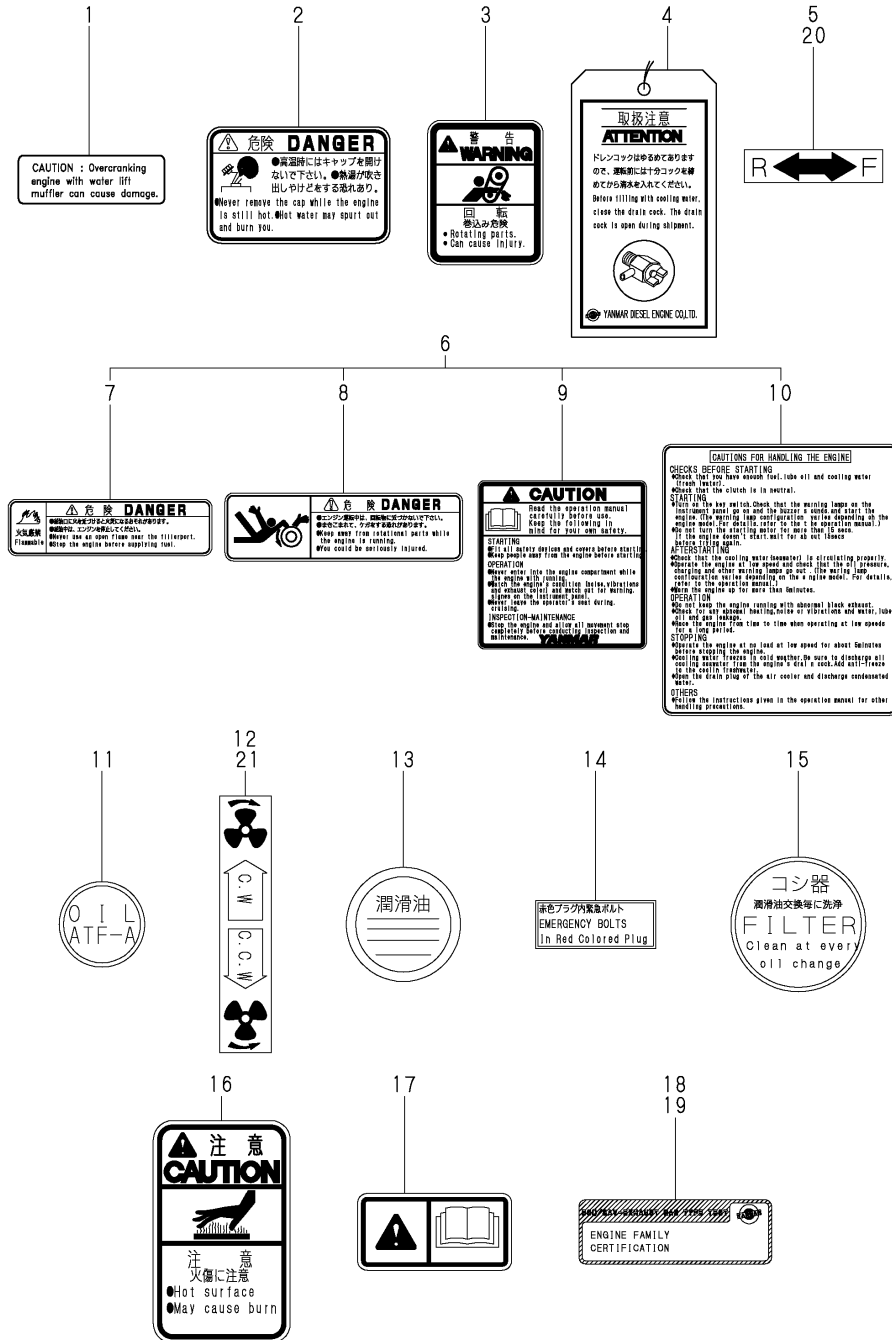
(A)=4JH3E  
(B)=4JH3CE  
(C)=4JH3CE1

(D)=4JH3-TE  
(E)=4JH3-TCE  
(F)=

No.	Lev.	Parts No.	Description	Q'ty						I	R
				(A)	(B)	(C)	(D)	(E)	(F)		
1	1	129473-01700	SUMP, OIL				1	1			
2	1	129470-01710	BRACKET				2	2			
3	1	129470-01750	GASKET, OIL SUMP				1	1			
4	1	23414-160021	GASKET, 16X1.0				1	1			
5	1	23887-160002	PLUG, 16				1	1			
6	1	26106-080252	BOLT, M8X 25 PLATED				13	13			
7	1	26106-080252	BOLT, M8X 25 PLATED				6	6			
8	1	26106-080252	BOLT, M8X 25 PLATED				4	4			
9	1	26106-080402	BOLT, M8X 40 PLATED				2	2			
10	1	26106-080702	BOLT, M8X 70 PLATED				3	3			
11	1	26106-100252	BOLT, M10X 25 PLATED				4	4			
12	1	129301-34830	SPACER				1	1			
13	1	129473-34850	DIPSTICK, OIL				1	1			
14	1	129473-34880	GUIDE ASSY, DIPSTICK				1	1			
17	1	104214-39720	BOLT				1	1			
18	1	22217-080000	WASHER, SPRING 8				1	1			
19	1	22217-100000	WASHER, SPRING 10				1	1			
20	1	23414-160000	GASKET, 16X1.0				2	2			
21	1	26106-080122	BOLT, M8X 12 PLATED				1	1			
22	1	26106-080162	BOLT, M8X 16 PLATED				1	1			
23	1	26106-100252	BOLT, M10X 25 PLATED				1				
23-1	1	26106-100222	BOLT, M10X 22 PLATED				1	1			N
24	1	26306-080002	NUT, M8				2	2			

(D=E/#11059)

Fig.10. LABEL



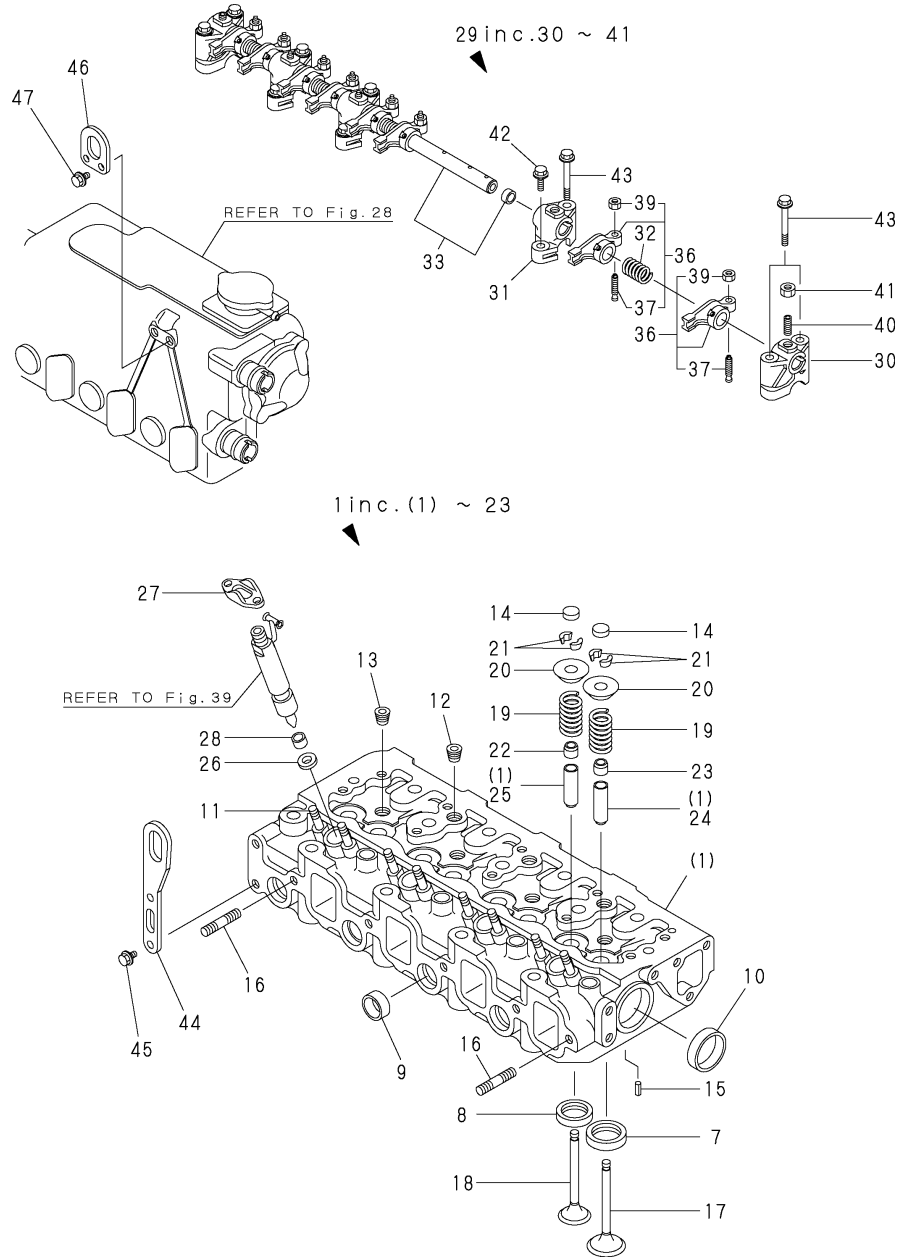
(A)=4JH3E  
(B)=4JH3CE  
(C)=4JH3CE1

(D)=4JH3-TE  
(E)=4JH3-TCE  
(F)=

No.	Lev.	Parts No.	Description	Q'ty						I	R
				(A)	(B)	(C)	(D)	(E)	(F)		
1	1	128171-07150	LABEL	1	1	1	1	1			
2	1	128296-07260	LABEL, DANGER	1	1	1	1	1			
3	1	128296-07350	LABEL, DANGER	1	1	1	1	1			
4	1	123682-07851	LABEL, CAUTION	1	1	1	1	1			
4-1		123682-07852	LABEL, CAUTION	1	1	1	1	1		S	
		(A=E/#26163) (B=E/#26163) (C=E/#26163) (D=E/#13135) (E=E/#13135)									
5	1	177088-02430	LABEL						1		
6	1	128296-07190	LABEL, LOOSE PARTS	1	1	1	1	1	1		
7	2	128296-07400	LABEL, DANGER	2	2	2	2	2	2		
8	2	128296-07420	LABEL, DANGER	1	1	1	1	1	1		
9	2	128296-07450	LABEL, DANGER	1	1	1	1	1	1		
10	2	128296-07460	LABEL, DANGER	1	1	1	1	1	1		
11	1	177075-02550	LABEL						1		
12	1	177073-02431	LABEL						1		
13	1	177050-02811	LABEL						1		
14	1	177061-02811	LABEL, EMERGENCY BOLT						1		
15	1	177050-02821	LABEL, STRAINER						1		
16	1	128296-07300	LABEL, DANGER						1	1	
17	1	196630-12980	LABEL						1	1	
18	1	129670-07560	LABEL, BSO2	1	1	1					
19	1	129671-07560	LABEL, BSO						1	1	
20	1	177088-02430	LABEL	1						Z	
		(A=E/#25682)									
21	1	177073-02431	LABEL	1						Z	
		(A=E/#25682)									

N:Old, Q:Old, R:Old, S:Old, W:Add, Z:Discontinued, F:Interchangeable by set, K:Q'ty Change

Fig.11. CYLINDER HEAD(4JH3E)



(A)=4JH3E  
(B)=4JH3CE  
(C)=4JH3CE1

(D)=4JH3-TE  
(E)=4JH3-TCE  
(F)=

No.	Lev.	Parts No.	Description	Q'ty						I	R
				(A)	(B)	(C)	(D)	(E)	(F)		
1	1	729670-11700	HEAD ASSY, CYLINDER	1	1	1					
7	3	129470-11080	SEAT, INTAKE VALVE	4	4	4					
8	3	129470-11090	SEAT, EXHAUST VALVE	4	4	4					
9	3	27241-220000	PLUG, 22	4	4	4					
10	3	27241-400000	PLUG, 40	2	2	2					
11	3	26216-060202	STUD, M6X 20	8	8	8					
12	3	23871-020000	PLUG, R02	3	3	3					
13	3	23871-030000	PLUG, R03	4	4	4					
14	2	129150-11370	CAP, VALVE	8	8	8					
15	2	22351-060012	PIN, SPRING 6.0X12	2	2	2					
16	2	26216-080222	STUD, M8X 22	2	2	2					
17	2	129100-11100	VALVE, INTAKE	4	4	4					
18	2	129100-11110	VALVE, EXHAUST	4	4	4					
19	2	129795-11120	SPRING, VALVE	8	8	8					
20	2	129795-11180	RETAINER, SPRING	8	8	8					
21	2	27310-080001	COTTER, 8	8	8	8					
22	2	121400-11340	SEAL, VALVE STEM	4	4	4					
23	2	124460-11340	SEAL, VALVE STEM	4	4	4					
24	1	120130-11860	GUIDE, VALVE	4	4	4					1
25	1	129150-11810	GUIDE, VALVE	4	4	4					1
26	1	119625-11880	SEAT, NOZZLE	4	4	4					
27	1	119625-11900	RETAINER, NOZZLE	4	4	4					
28	1	119625-11870	PROTECTOR, NOZZLE	4	4	4					W
		(A=FROM 1ST) (B=FROM 1ST) (C=FROM 1ST)									
28-1	1	119625-11872	PROTECTOR, NOZZLE	4	4	4					R
		(A=E/#26163) (B=E/#26163) (C=E/#26163)									
28-2	1	119625-11870	PROTECTOR, NOZZLE	4	4	4					N
		(A=E/#26284) (B=E/#26284) (C=E/#26284)									
29	1	129555-11241	SHAFT ASSY, ROCKER	1	1	1					
30	2	129155-11260	SUPPORT, ROCKER ARM	2	2	2					
31	2	129155-11270	SUPPORT, ROCKER ARM	3	3	3					
32	2	129150-11280	SPRING	4	4	4					
33	2	129550-11290	SHAFT, ROCKER ARM	1	1	1					
36	2	729402-11650	ARM ASSY, ROCKER	8	8	8					
37	3	129150-11230	SCREW, VALVE ADJUST	8	8	8					
39	3	129150-11750	NUT, M8	8	8	8					
40	2	26226-080182	STUD, M8X 18	3	3	3					
40-1	2	119802-11280	STUD	3	3	3					R
		(A=E/#25626) (B=E/#25626) (C=E/#25626)									
41	2	26756-080002	NUT, LOCK M8	3	3	3					
42	1	26106-080252	BOLT, M8X 25 PLATED	3	3	3					
43	1	26106-080502	BOLT, M8X 50 PLATED	7	7	7					
44	1	129900-07900	LIFTER	2	2	2					
45	1	26106-080162	BOLT, M8X 16 PLATED	4	4	4					
46	1	129470-07230	LIFTER	1	1	1					
47	1	26106-080162	BOLT, M8X 16 PLATED	2	2	2					

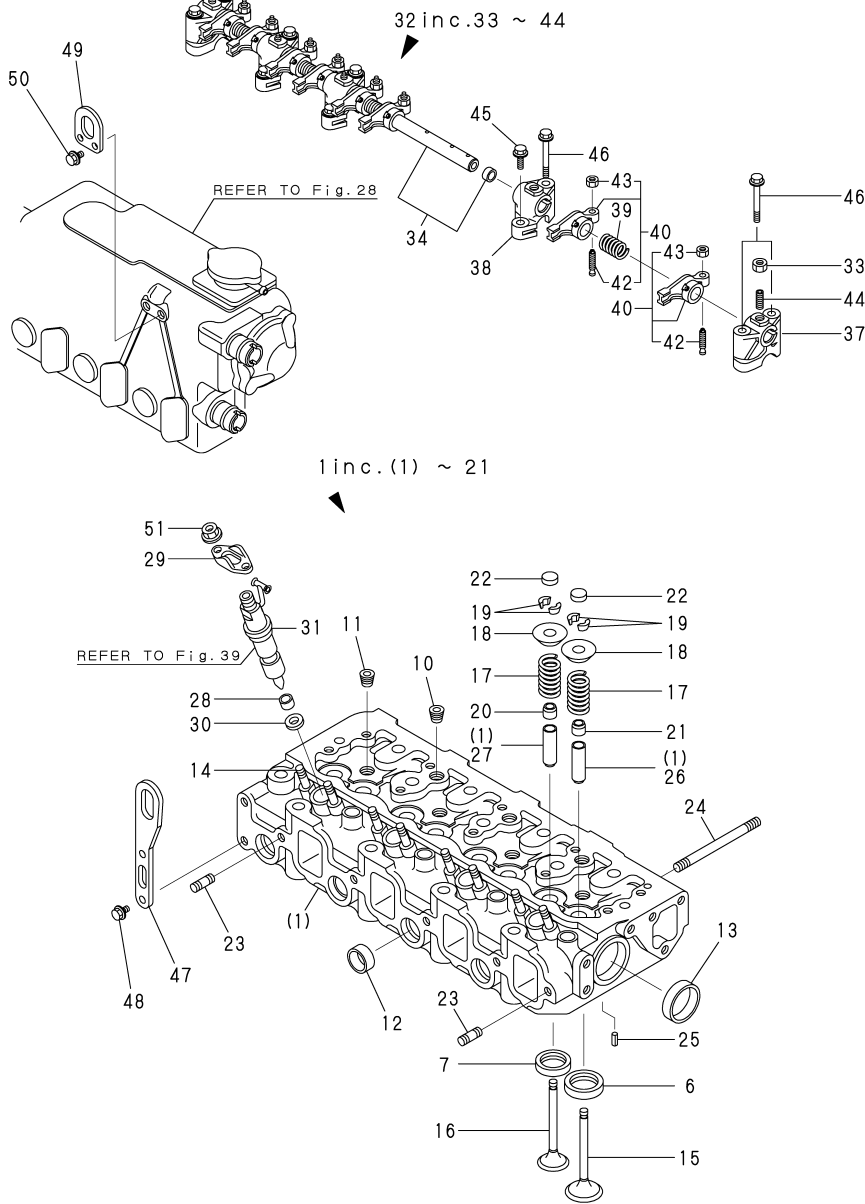
Remarks

(1)REPAIR PART

N:Old  $\begin{matrix} \leftarrow \text{Yes} \\ \text{No} \end{matrix}$  New, Q:Old  $\begin{matrix} \leftarrow \text{No} \\ \text{Yes} \end{matrix}$  New, R:Old  $\begin{matrix} \leftarrow \text{Yes} \\ \text{Yes} \end{matrix}$  New, S:Old  $\begin{matrix} \leftarrow \text{No} \\ \text{No} \end{matrix}$  New, W:Add, Z:Discontinued, F:Interchangeable by set, K:Q'ty Change

Fig.12. CYLINDER HEAD(4JH3-TE)

P/C NEWS No.:Y00R4671-6  
PUBLISHED :2008/3



(A)=4JH3E  
(B)=4JH3CE  
(C)=4JH3CE1

(D)=4JH3-TE  
(E)=4JH3-TCE  
(F)=

No.	Lev.	Parts No.	Description	Qty						I	R
				(A)	(B)	(C)	(D)	(E)	(F)		
1	1	729697-11700	HEAD ASSY, CYLINDER				1	1			
1-1	1	729672-11000	HEAD ASSY, CYLINDER				1	1		N	
			(D=*2003.06) (E=*2003.06)								
6	3	129795-11080	SEAT, INTAKE VALVE				4	4			
7	3	129795-11090	SEAT, EXHAUST VALVE				4	4			
10	3	23876-020000	PLUG, R02				3	3			
10-1	3	121850-11860	PLUG, PT1/4				3	3		N	
			(D=*2008.01) (E=*2008.01)								
11	3	23876-030000	PLUG, R03				4	4			
12	3	27241-220000	PLUG, 22				4	4			
13	3	27241-400000	PLUG, 40				2	2			
14	2	26216-060202	STUD, M6X 20				8	8			
15	2	129120-11100	VALVE, INTAKE				4	4			
16	2	129120-11110	VALVE, EXHAUST				4	4			
17	2	129795-11120	SPRING, VALVE				8	8			
18	2	129795-11180	RETAINER, SPRING				8	8			
19	2	27310-080001	COTTER, 8				8	8			
20	2	121400-11340	SEAL, VALVE STEM				4	4			
21	2	124460-11340	SEAL, VALVE STEM				4	4			
22	1	129150-11370	CAP, VALVE				8	8			
23	1	26216-080222	STUD, M8X 22				2	2			
24	1	26216-081002	STUD, M8X100				2	2			
25	1	22351-060012	PIN, SPRING 6.0X12				2	2			
26	1	120130-11860	GUIDE, VALVE				4	4		1	
27	1	129150-11810	GUIDE, VALVE				4	4		1	
28	1	119625-11870	PROTECTOR, NOZZLE				4	4			
28-1	1	119625-11872	PROTECTOR, NOZZLE				4	4		R	
			(D=E/#13135) (E=E/#13135)								
28-2	1	119625-11870	PROTECTOR, NOZZLE				4	4		N	
			(D=E/#13197) (E=E/#13197)								
29	1	119625-11900	RETAINER, NOZZLE				4	4			
30	1	119625-11880	SEAT, NOZZLE				4	4			
31	1	129470-11920	GASKET				4	4			
32	1	129555-11241	SHAFT ASSY, ROCKER				1	1			
33	2	26756-080002	NUT, LOCK M8				3	3			
34	2	129550-11290	SHAFT, ROCKER ARM				1	1			
37	2	129155-11260	SUPPORT, ROCKER ARM				2	2			
38	2	129155-11270	SUPPORT, ROCKER ARM				3	3			
39	2	129150-11280	SPRING				4	4			
40	2	729402-11650	ARM ASSY, ROCKER				8	8			
42	3	129150-11230	SCREW, VALVE ADJUST				8	8			
43	3	129150-11750	NUT, M8				8	8			
44	2	26226-080182	STUD, M8X 18				3	3			
44-1	2	119802-11280	STUD				3	3		R	
			(D=E/#12753) (E=E/#12753)								
45	1	26106-080252	BOLT, M8X 25 PLATED				3	3			
46	1	26106-080502	BOLT, M8X 50 PLATED				7	7			
47	1	129900-07900	LIFTER				2	2			
48	1	26106-080162	BOLT, M8X 16 PLATED				4	4			
49	1	129470-07230	LIFTER				1	1			
50	1	26106-080162	BOLT, M8X 16 PLATED				2	2			

Remarks

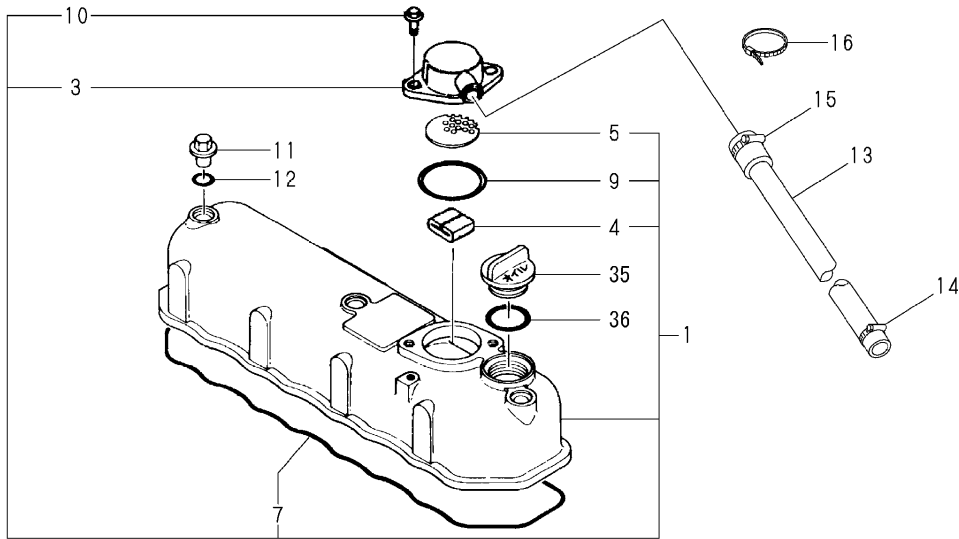
(1)REPAIR PART



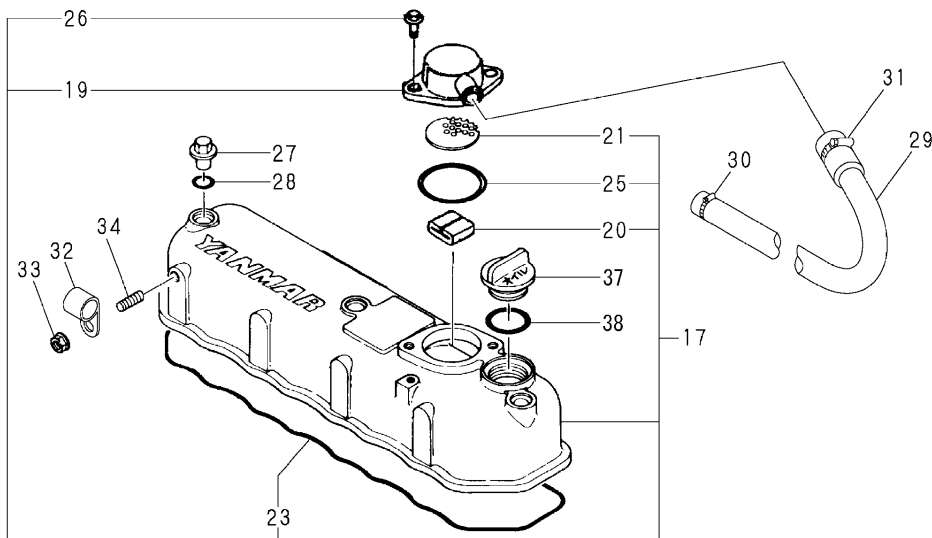


Fig.13. BONNET

4JH3E/CE/CE1



4JH3-TE/TCE



(A)=4JH3E  
(B)=4JH3CE  
(C)=4JH3CE1

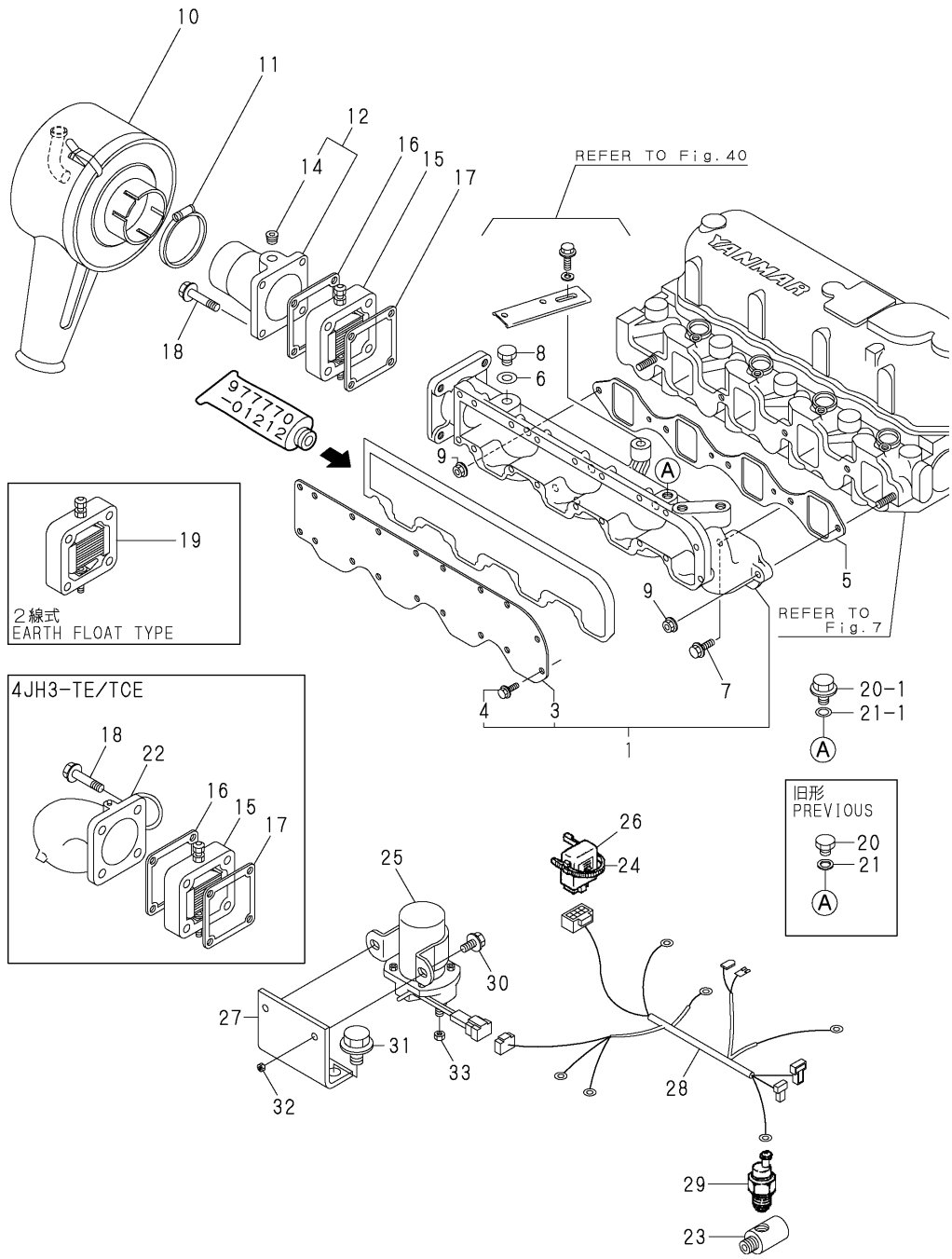
(D)=4JH3-TE  
(E)=4JH3-TCE  
(F)=

No.	Lev.	Parts No.	Description	Q'ty						I	R
				(A)	(B)	(C)	(D)	(E)	(F)		
1	1	129400-11350	BONNET ASSY, HEAD	1	1	1					
3	2	129150-03020	COVER, BREATHER	1	1	1					
4	2	129150-03070	BAFFLE, BREATHER	1	1	1					
5	2	129150-03080	PLATE, BAFFLE	1	1	1					
7	2	129550-11310	GASKET, BONNET	1	1	1					
9	2	24341-000500	O-RING, 1A550.0	1	1	1					
10	2	26106-080162	BOLT, M8X 16 PLATED	2	2	2					
11	1	124160-11360	KNOB	3	3	3					
12	1	24311-000120	O-RING, 1AP12.0	3	3	3					
13	1	129171-03090	PIPE, BREATHER	1	1	1					
14	1	129301-03660	CLAMP 16	1	1	1					
15	1	129410-03990	CLIP	1	1	1					
16	1	121750-59890	BAND, 140	1	1	1					
17	1	129577-11350	BONNET ASSY, HEAD						1	1	
19	2	129150-03020	COVER, BREATHER						1	1	
20	2	129150-03070	BAFFLE, BREATHER						1	1	
21	2	129150-03080	PLATE, BAFFLE						1	1	
23	2	129550-11310	GASKET, BONNET						1	1	
25	2	24341-000500	O-RING, 1A550.0						1	1	
26	2	26106-080162	BOLT, M8X 16 PLATED						2	2	
27	1	124160-11360	KNOB						3	3	
28	1	24311-000120	O-RING, 1AP12.0						3	3	
29	1	129672-03090	PIPE, BREATHER						1	1	
30	1	129301-03660	CLAMP 16						1	1	
31	1	129410-03990	CLIP						1	1	
32	1	23297-160081	CLAMP, A16X 8						1	1	
33	1	26306-080002	NUT, M8						1	1	
34	1	121850-01910	STUD, M8X12						1	1	
35	1	124160-01751	COVER, FILLER	1	1	1					
36	1	24311-000320	O-RING, 1AP32.0	1	1	1					
37	1	124160-01751	COVER, FILLER						1	1	
38	1	24311-000320	O-RING, 1AP32.0						1	1	

Fig.14. SUCTION MANIFOLD

(A)=4JH3E  
(B)=4JH3CE  
(C)=4JH3CE1

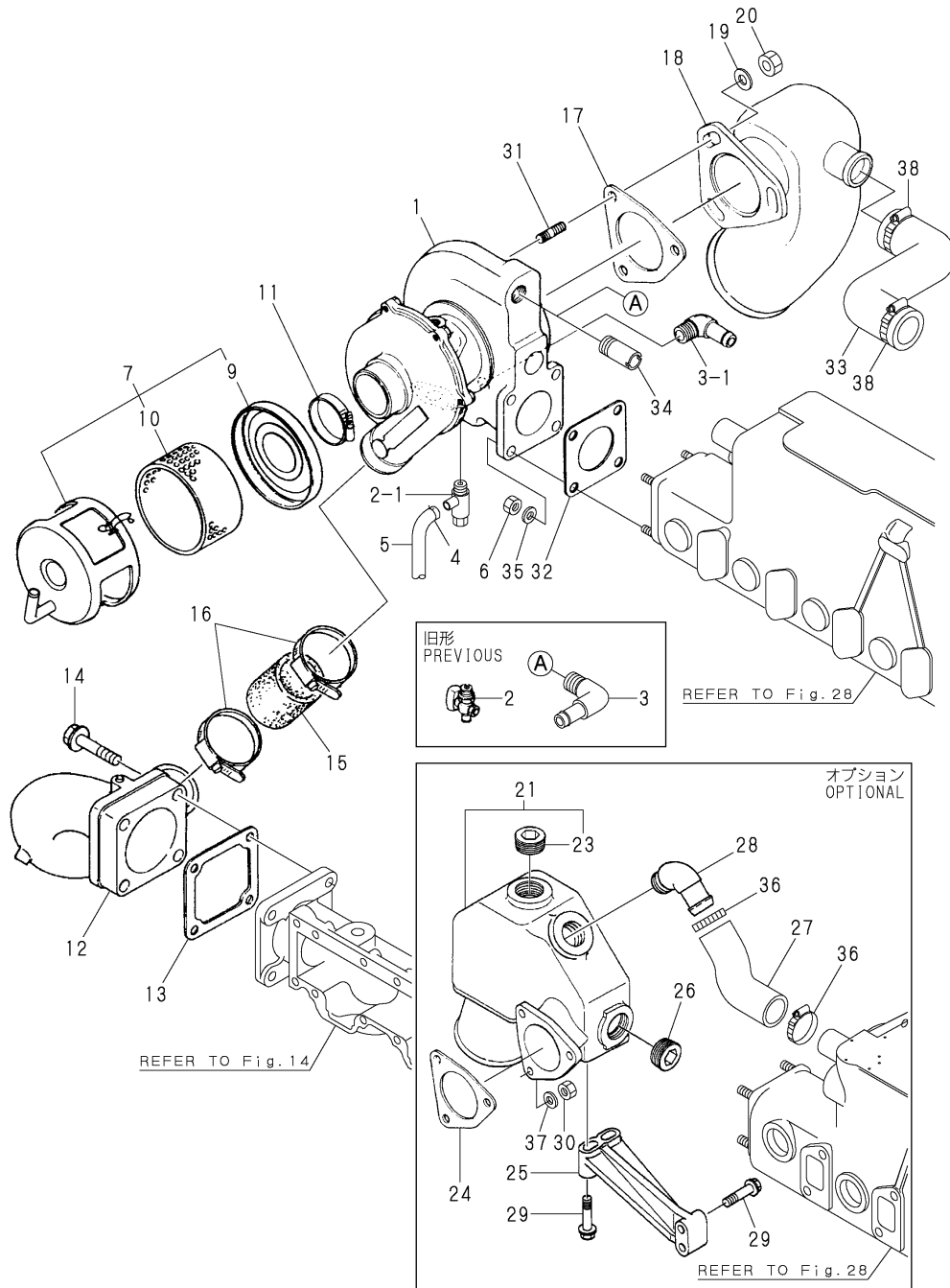
(D)=4JH3-TE  
(E)=4JH3-TCE  
(F)=



No.	Lev.	Parts No.	Description	Q'ty						I	R
				(A)	(B)	(C)	(D)	(E)	(F)		
1	1	129470-12100	MANIFOLD ASSY,INTAKE	1	1		1				
1-1	1	129698-12100	MANIFOLD ASSY,INTAKE	1	1	1	1	1			R
		(A=E/#20576) (B=E/#20576) (D=E/#10001)									
3	2	129470-12120	COVER, MANIFOLD	1	1	1	1	1			
4	2	26476-060142	SCREW, TAPPING M6X14	18	18	18	18	18			
5	1	129470-12130	GASKET, MANIFOLD	1	1	1	1	1			
6	1	23414-100000	GASKET, 10X1.0	1	1	1	1	1			
7	1	26106-080202	BOLT, M8X 20 PLATED	3	3	3	3	3			
8	1	26106-100122	BOLT, M10X 12 PLATED	1	1	1	1	1			
8-1	1	23887-100002	PLUG, 10	1	1	1	1	1			N
		(A=FROM 1ST) (B=FROM 1ST) (C=FROM 1ST) (D=FROM 1ST)									
9	1	26306-080002	NUT, M8	2	2	2	2	2			
10	1	129570-12300	SILENCER ASSY	1	1	1					
11	1	23000-054000	CLAMP, 54	1	1	1					
12	1	129470-12210	JOINT ASSY	1	1	1					
14	2	23876-010000	PLUG, R01	1	1	1					
15	1	129100-77500	HEATER, AIR 12V	1	1	1	1	1			
16	1	129100-77510	GASKET	1	1	1	1	1			
17	1	129470-77590	GASKET	1	1	1	1	1			
17-1	1	129470-77590	GASKET				2	2			K
		(D=E/#10183)									
18	1	26106-080402	BOLT, M8X 40 PLATED	4	4	4	4	4			
19	1	129400-77501	HEATER	1	1	1	1	1			
20	1	123482-01900	PLUG, M8-1.25	1	1	1					W
		(A=E/#20576) (B=E/#20576) (D=E/#10001)									
20-1	1	26106-080122	BOLT, M8X 12 PLATED	1	1	1	1	1			R
		(A=E/#20776) (B=E/#20776) (D=E/#10021)									
21	1	23414-080000	GASKET, 8X1.0	1	1		1				W
		(A=E/#20576) (B=E/#20576) (D=E/#10001)									
21-1	1	22190-080002	WASHER, SEAL 6	1	1	1	1	1			R
		(A=E/#20776) (B=E/#20776) (D=E/#10021)									
22	1	129571-18140	DUCT, AIR						1	1	
23	1	129671-49990	JOINT, R3/8						1	1	
24	1	194250-51660	BAND, NYLON				2	2			
25	1	119575-77060	RELAY, HEATER						1	1	
26	1	119575-77071	CONTROLLER						1	1	
27	1	129671-77510	BRACKET, RELAY						1	1	
28	1	129671-77920	HARNESS, WIRE						1	1	
29	1	124616-91370	SWITCH, 42						1	1	
30	1	26106-060122	BOLT, M6X 12 PLATED						3	3	
31	1	26106-100162	BOLT, M10X 16 PLATED						2	2	
32	1	26716-060002	NUT, M6						2	2	
33	1	26716-080002	NUT, M8						2	2	

N:Old  $\begin{matrix} \leftarrow \text{Yes} \\ \text{No} \end{matrix}$  New, Q:Old  $\begin{matrix} \leftarrow \text{No} \\ \text{Yes} \end{matrix}$  New, R:Old  $\begin{matrix} \leftarrow \text{Yes} \\ \text{Yes} \end{matrix}$  New, S:Old  $\begin{matrix} \leftarrow \text{No} \\ \text{No} \end{matrix}$  New, W:Add, Z:Discontinued, F:Interchangeable by set, K:Q'ty Change  
Copyright (C) YANMAR CO., LTD. All Rights Reserved.

Fig.15. TURBOCHARGER



(A)=4JH3E  
(B)=4JH3CE  
(C)=4JH3CE1

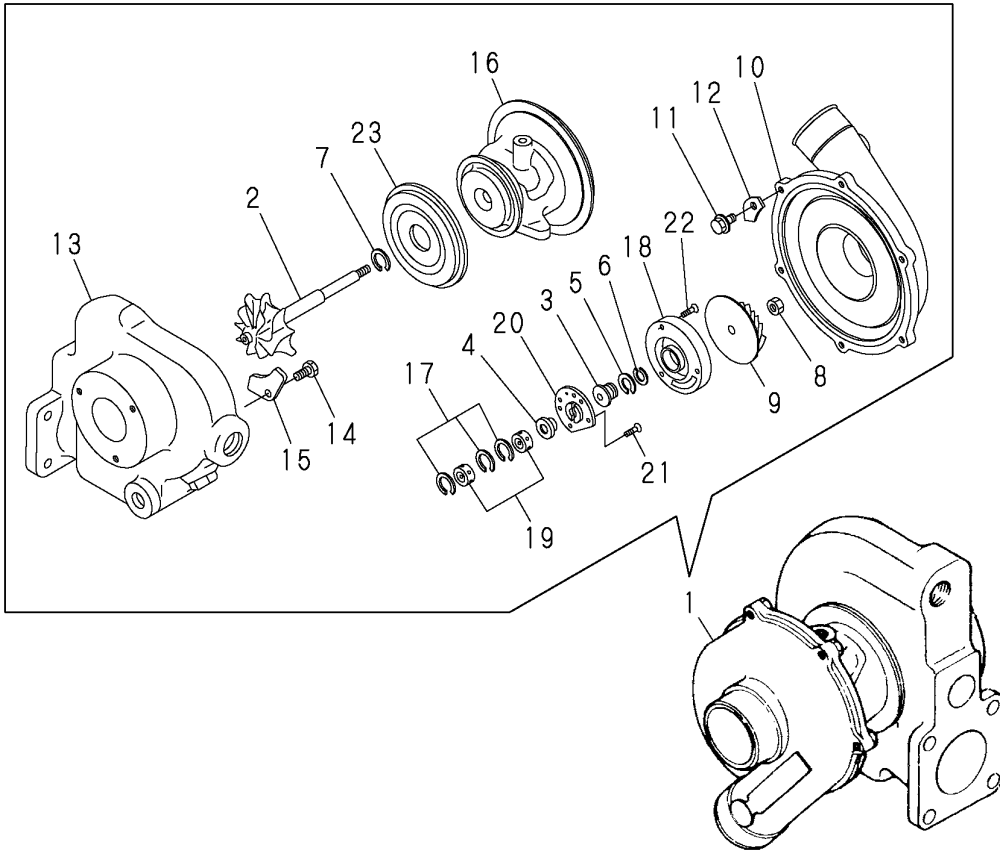
(D)=4JH3-TE  
(E)=4JH3-TCE  
(F)=

No.	Lev.	Parts No.	Description	Q'ty						I	R
				(A)	(B)	(C)	(D)	(E)	(F)		
1	1	129671-18001	TURBINE, B52W-TE				1	1			
2	1	128695-44090	COCK				1				
2-1	1	129670-49290	COCK ASSY, R1/8				1	1		N	
				(D=E/#10333)							
3	1	171007-49400	JOINT				2				
3-1	1	171007-49400	JOINT				1	1		K	
				(D=E/#10005)							
4	1	124460-77680	RETAINER				1	1			
5	1	23061-070300	PIPE, 7X 300				1	1			
6	1	26703-080002	NUT, M8				4	4			
7	1	129470-12301	SILENCER ASSY				1	1			
9	2	129470-12320	PLATE				1	1			
10	2	129470-12330	ELEMENT ASSY				1	1			
11	1	23000-054000	CLAMP, 54				1	1			
12	1	129571-18130	DUCT, AIR				1	1			
13	1	129470-77590	GASKET				1	1			
14	1	26106-080402	BOLT, M8X 40 PLATED				4	4			
15	1	129595-18141	JOINT, RUBBER				1	1			
16	1	23000-060000	CLAMP, 60				2	2			
17	1	129472-13520	GASKET				1	1			
18	1	129671-13550	ELBOW				1	1			
19	1	22137-080000	WASHER, 8				3	3			
20	1	26703-080002	NUT, M8				3	3			
21	1	129472-13500	ELBOW ASSY				1	1			
23	2	129472-13560	PLUG, PT3/4				1	1			
24	1	129472-13520	GASKET				1	1			
25	1	129472-13550	SUPPORT				1	1			
26	1	129472-13560	PLUG, PT3/4				1	1			
27	1	129472-49050	PIPE, WATER				1				
27-1	1	129671-49050	PIPE, WATER				1	1		R	
				(D=E/#11493)							
28	1	123325-49421	JOINT, PIPE				1	1			
29	1	26106-080352	BOLT, M8X 35 PLATED				4	4			
30	1	26703-080002	NUT, M8				3	3			
31	1	128170-13600	STUD, M8X31				3	3			
32	1	129472-18090	GASKET				1	1			
33	1	129472-49040	PIPE, WATER				1				
33-1	1	129673-49050	PIPE, WATER				1	1		R	
				(D=E/#10799)							
34	1	104407-44480	JOINT				1	1		W	
				(D=E/#10005)							
35	1	22133-080000	WASHER, 8				4	4		W	
				(D=E/#10021)							
36	1	23000-035000	CLAMP, 35				2			W	
				(D=E/#10183)							
36-1	1	129670-49500	CLIP, HOSE 38				2	2		R	
				(D=E/#11597)							
37	1	22137-080000	WASHER, 8				3	3		W	
				(D=E/#10183)							
38	1	23000-035000	CLAMP, 35				2				
38-1	1	129670-49500	CLIP, HOSE 38				2	2		R	

N:Old  $\xrightarrow{\text{Yes}}$  New, Q:Old  $\xrightarrow{\text{No}}$  New, R:Old  $\xrightarrow{\text{Yes}}$  New, S:Old  $\xrightarrow{\text{No}}$  New, W:Add, Z:Discontinued, F:Interchangeable by set, K:Q'ty Change  
 ++ CONTINUE ++  
 Copyright (C) YANMAR CO., LTD. All Rights Reserved.



Fig.16. TURBOCHARGER COMPONENT PART



(A)=4JH3E  
(B)=4JH3CE  
(C)=4JH3CE1

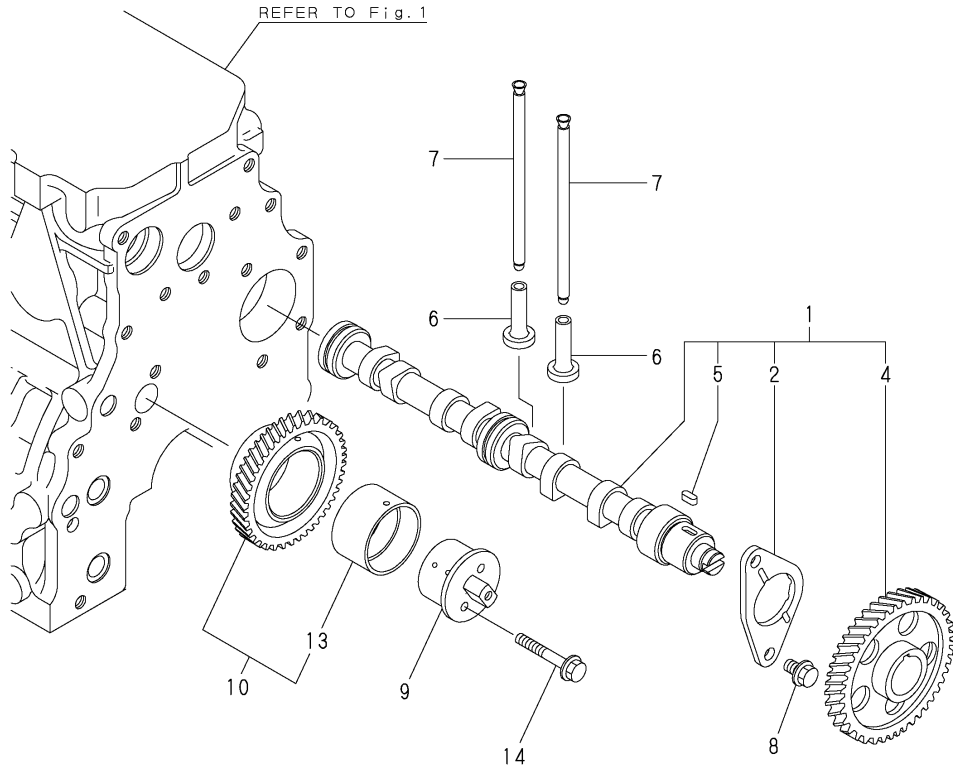
(D)=4JH3-TE  
(E)=4JH3-TCE  
(F)=

No.	Lev.	Parts No.	Description	Q'ty						I	R
				(A)	(B)	(C)	(D)	(E)	(F)		
1	1	129671-18001	TURBINE, B52W-TE				1	1			
2	2	XNN131614	SHAFT				1	1			
3	2	XNN131578	SHELTER				1	1			
4	2	XNN131579	BUSH, THRUST				1	1			
5	2	XNB131008	SEAL RING,BLOW.SIDE				1	1			
6	2	XNN131008	SEAL RING,BLOW.SIDE				1	1			
7	2	XNN131536	SEALING				1	1			
8	2	XNN131108	NUT				1	1			
9	2	XNN136613	IMPELLER				1	1			
10	2	XNN133911	HOUSING,BLOWER				1	1			
11	2	XNB134007	BOLT M 5				6	6			
12	2	XNN134035	RETAINER				6	6			
13	2	XNE928727	HOUSING				1	1			
14	2	XNN137007	BOLT, M8				5	5			
15	2	XNN137423	RETAINER				5	5			
16	2	XNE923383	HOUSING,BEARING				1	1			
17	2	XNN133208	CIRCLIP				3	3			
18	2	XNN133022	PLATE, SEAL				1	1			
19	2	XNN133506	METAL, FLOATING				2	2			
20	2	XNN133596	METAL,THRUST				1	1			
21	2	XNB133206	SCREW				4	4			
22	2	XNB133208	SCREW(SEAL PLATE				3	3			
23	2	XNN137055	PROTECTOR, HEAT				1	1			

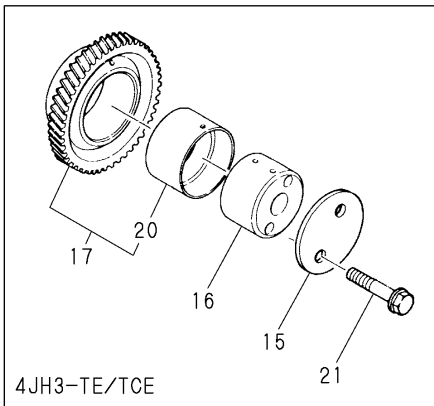
Fig.17. CAMSHAFT

(A)=4JH3E  
(B)=4JH3CE  
(C)=4JH3CE1

(D)=4JH3-TE  
(E)=4JH3-TCE  
(F)=



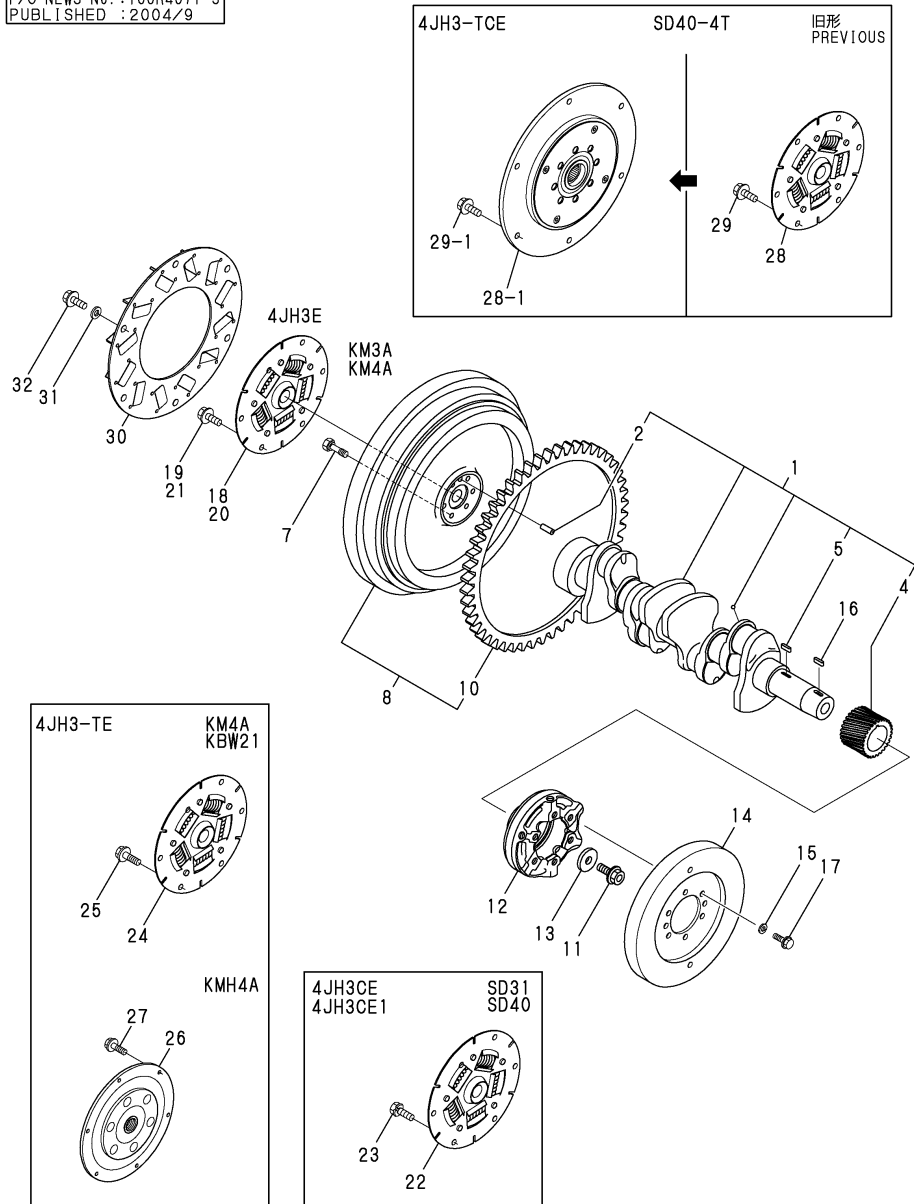
No.	Lev.	Parts No.	Description	Q'ty						I	R
				(A)	(B)	(C)	(D)	(E)	(F)		
1	1	129470-14000	CAMSHAFT ASSY	1	1	1					
1A	1	129472-14000	CAMSHAFT ASSY					1	1		
2	2	129150-02450	BEARING, THRUST					1	1		
4	2	129150-14101	GEAR, CAMSHAFT	1	1	1	1	1	1		
5	2	22512-070140	KEY, 7X 14	1	1	1	1	1	1		
6	1	129150-14200	TAPPET	8	8	8	8	8	8		
7	1	129150-14400	ROD, PUSH L=178	8	8	8					
7A	1	119171-14400	ROD, PUSH L=178						8	8	
8	1	26106-080142	BOLT, M8X 14 PLATED	2	2	2	2	2	2		
9	1	129100-25061	SHAFT, IDLE	1	1	1					
10	1	129150-25101	GEAR ASSY, IDLE	1	1	1					
13	2	129150-25920	BUSH, IDLE GEAR	1	1	1					1
14	1	26106-080452	BOLT, M8X 45 PLATED	2	2	2					
15	1	129150-25020	RETAINER						1	1	
16	1	129150-25052	SHAFT, IDLE						1	1	
17	1	129672-25100	GEAR ASSY, IDLE						1	1	
20	2	129573-25090	BUSH, IDLE GEAR						1	1	1
21	1	119174-25060	BOLT, M8X45						2	2	



Remarks  
(1)REPAIR PART

Fig.18. CRANKSHAFT & FLYWHEEL

P/C NEWS No. : Y00R4671-3  
PUBLISHED : 2004/9



(A)=4JH3E  
(B)=4JH3CE  
(C)=4JH3CE1

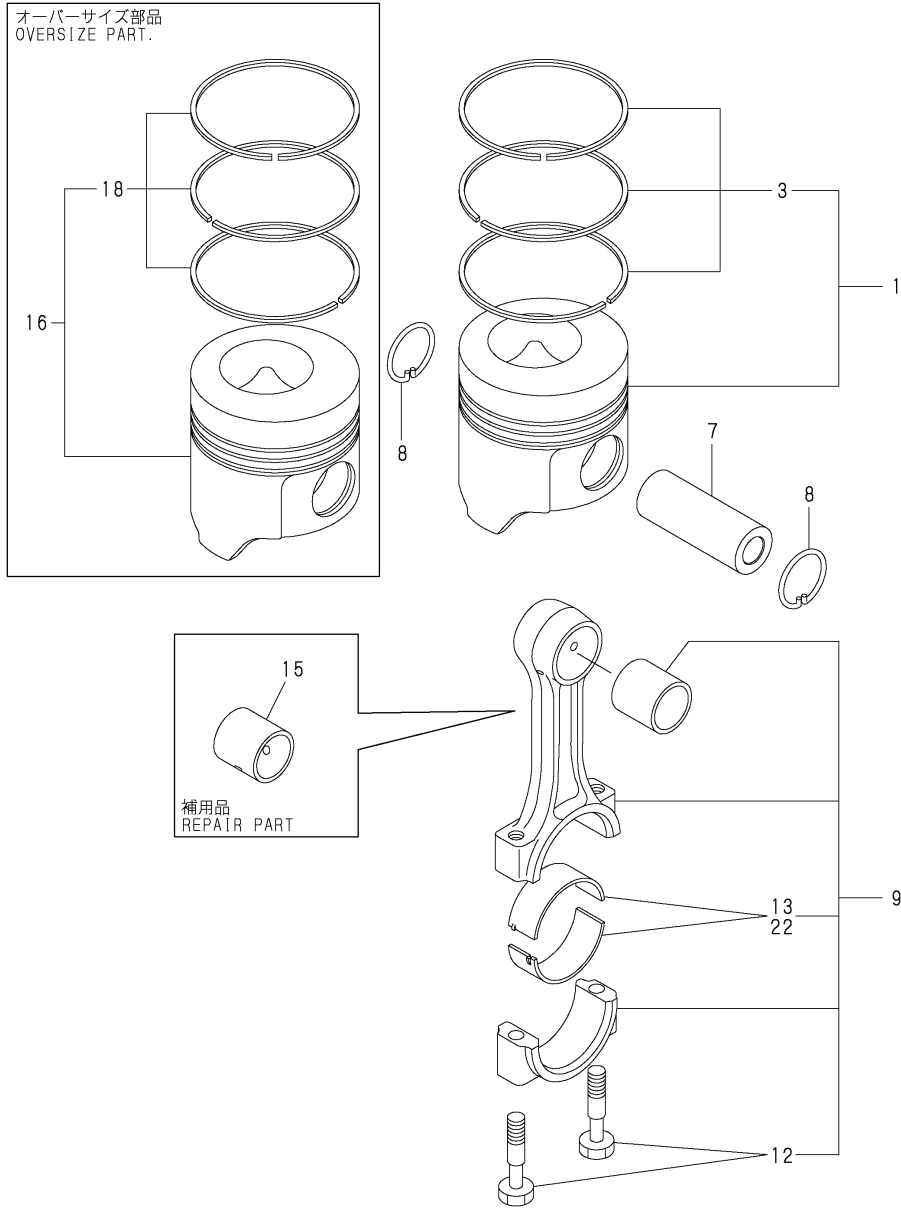
(D)=4JH3-TE  
(E)=4JH3-TCE  
(F)=

No.	Lev.	Parts No.	Description	Q'ty						I	R
				(A)	(B)	(C)	(D)	(E)	(F)		
1	1	129407-21000	CRANKSHAFT ASSY	1	1	1					
1A	1	129418-21000	CRANKSHAFT ASSY					1	1		
2	2	129100-01580	PIN, M8X16					1	1	1	
4	2	129150-21200	GEAR, CRANKSHAFT	1	1	1	1	1	1		
5	2	22512-070140	KEY, 7X 14	1	1	1	1	1	1		
7	1	121111-21501	BOLT, FLYWHEEL	6	6	6	6	6	6		
8	1	129670-21590	FLYWHEEL ASSY	1	1	1					
8A	1	129574-21590	FLYWHEEL ASSY						1	1	
10	2	119865-21600	GEAR, RING	1	1	1					
10A	2	124550-21600	GEAR, RING						1	1	
11	1	121850-21130	BOLT, FLYWHEEL	1	1	1	1	1	1		
12	1	129693-21650	V-PULLEY, 82.5	1	1	1	1	1	1		
13	1	129693-21660	WASHER	1	1	1	1	1	1		
14	1	129693-28010	DAMPER	1	1	1	1	1	1		
15	1	22217-080000	WASHER, SPRING 8	6	6	6	6	6	6		
16	1	22512-070160	KEY, 7X 16	1	1	1	1	1	1		
17	1	26106-080162	BOLT, M8X 16 PLATED	6	6	6	6	6	6		
18	1	177070-03520	DISK, DAMPER D190	1							
19	1	26106-080162	BOLT, M8X 16 PLATED	6							
20	1	177090-03500	DISC, DAMPER	1							
21	1	26106-080162	BOLT, M8X 16 PLATED	6							
22	1	177099-03500	DISK, DAMPER		1	1					
23	1	26013-080142	BOLT, M8X 14		6	6					
24	1	177090-03500	DISC, DAMPER							1	
25	1	26106-080162	BOLT, M8X 16 PLATED							6	
26	1	129673-81760	DISK, DAMPER							1	
27	1	26106-080202	BOLT, M8X 20 PLATED							6	
28	1	177090-03500	DISC, DAMPER							1	
28-1	1	196440-04310	COUPLING, 250 SP10							1	F 1
				(E=*2004.04)							
29	1	26106-080162	BOLT, M8X 16 PLATED							6	
29-1	1	26106-080222	BOLT, M8X 22 PLATED							6	F 1
				(E=*2004.04)							
30	1	177073-03191	FAN	1						1	
30-1	1	129670-81850	FAN, FLYWHEEL	1						1	R
				(A=E/#21955)		(D=E/#10399)					
31	1	22217-080000	WASHER, SPRING 8	6						6	
32	1	26106-080162	BOLT, M8X 16 PLATED	6						6	

Remarks  
(1)INTERCHANGEABLE BY SIMULTANEOUS REPLACEMENT WITH REF.NO.28-1,29-1.



Fig.19. PISTON(4JH3E)



(A)=4JH3E  
(B)=4JH3CE  
(C)=4JH3CE1

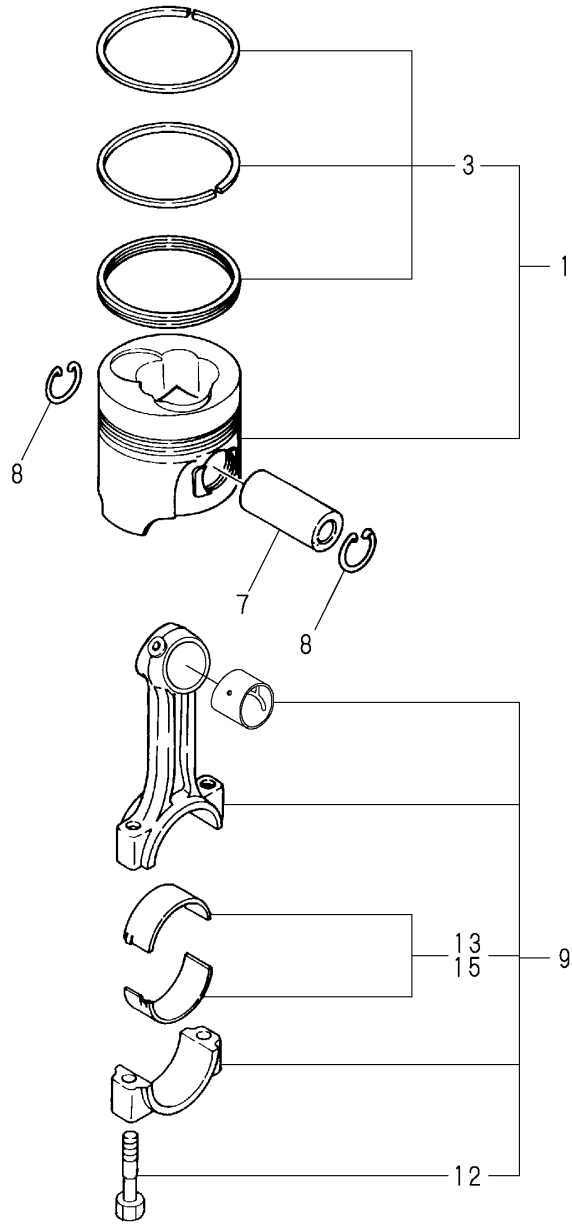
(D)=4JH3-TE  
(E)=4JH3-TCE  
(F)=

No.	Lev.	Parts No.	Description	Q'ty						I	R
				(A)	(B)	(C)	(D)	(E)	(F)		
1	1	129670-22000	PISTON ASSY	4	4	4					
1-1	1	129690-22000	PISTON ASSY	4	4	4					N
		(A=E/#23803)	(B=E/#23803)	(C=E/#23803)							
3	2	129002-22510	RING SET, PISTON	4	4	4					
3-1	2	129690-22510	RING SET, PISTON	4	4	4					N
		(A=E/#23803)	(B=E/#23803)	(C=E/#23803)							
7	1	129202-22300	PIN, PISTON D26 L70	4	4	4					
8	1	22252-000260	RING, 26	8	8	8					
9	1	729402-23100	ROD ASSY, CONNECTING	4	4	4					
12	2	121550-23200	BOLT, CONNECTING ROD	8	8	8					
13	2	129150-23600	BEARING, CRANK PIN	4	4	4					
15	1	129100-23910	BEARING, PISTON PIN	4	4	4					1
16	1	129670-22090	PISTON ASSY, 0.25 OS	4	4	4					3
18	2	129002-22950	RING SET, 0.25 OS	4	4	4					3
18-1	2	729690-22540		4	4	4					N
		(A=E/XXXX)	(B=E/XXXX)	(C=E/XXXX)							
22	1	129150-23610	BEARING, 0.25 US	4	4	4					2

Remarks

- (1)REPAIR PART
- (2)UNDER SIZE(U.S=0.25)PART.
- (3)OVER SIZE(O.S=0.25)PART.

Fig.20. PISTON(4JH3-TE)



(A)=4JH3E  
(B)=4JH3CE  
(C)=4JH3CE1

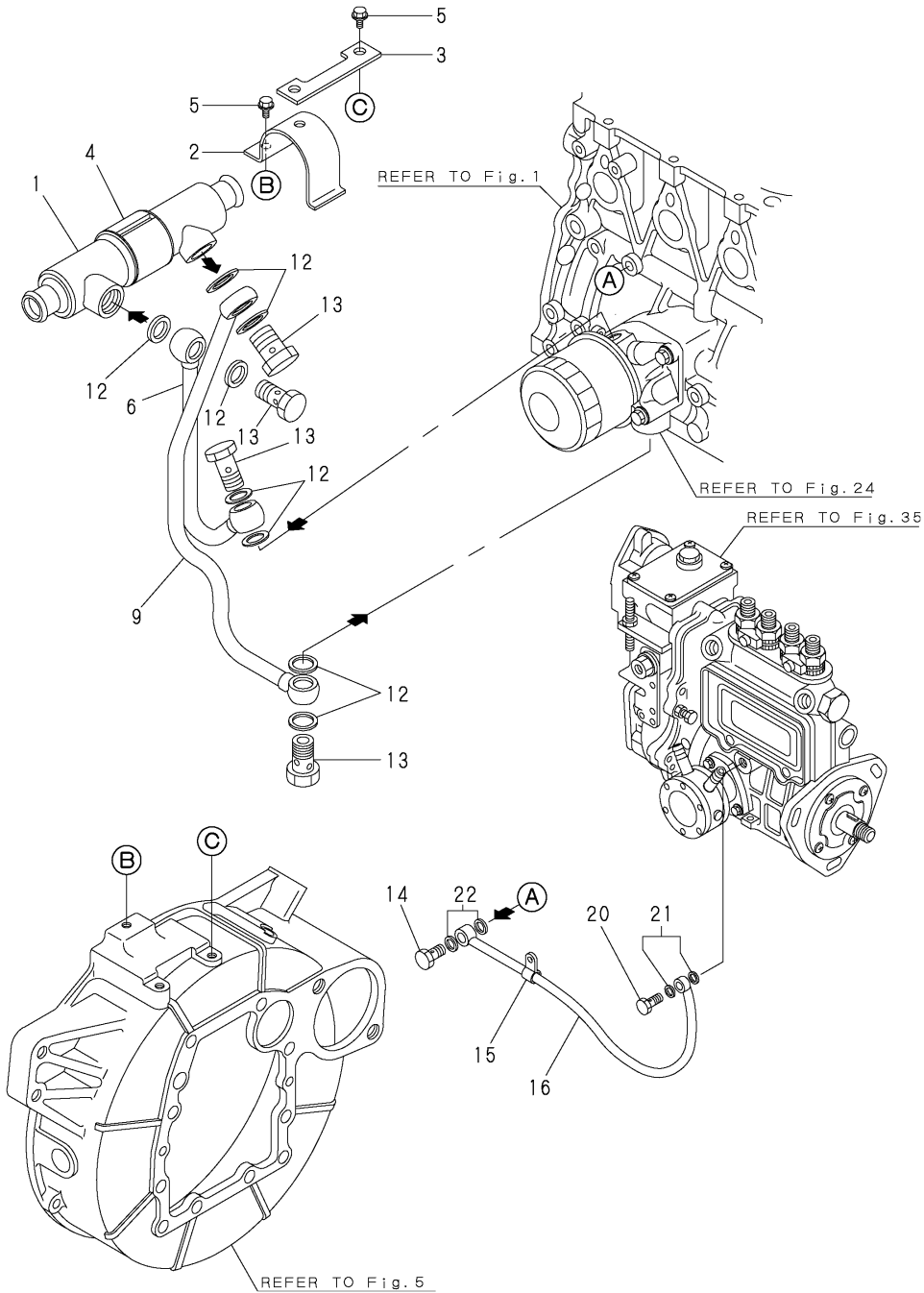
(D)=4JH3-TE  
(E)=4JH3-TCE  
(F)=

No.	Lev.	Parts No.	Description	Q'ty						I	R	
				(A)	(B)	(C)	(D)	(E)	(F)			
1	1	129673-22000	PISTON ASSY				4				2	
1-1	1	129671-22000	PISTON ASSY				4	4			N	2
(D=E/#11907)												
3	2	729692-22510	RING SET, PISTON				4	4				
7	1	129573-22301	PIN, PISTON D28 L69				4	4				
8	1	22252-000280	RING, 28				8	8				
9	1	729573-23700	ROD ASSY, CONNECTING				4	4				
12	2	121550-23200	BOLT, CONNECTING ROD				8	8				
13	2	729150-23600	BEARING, CRANK PIN				4	4				
15	1	129150-23610	BEARING, 0.25 US				4	4				1

Remarks

- (1) UNDER-SIZED(0.25) PART
- (2) OVER SIZED PART IS NOT SET UP.

Fig.21. LUB.OIL COOLER(4JH3E)



(A)=4JH3E  
(B)=4JH3CE  
(C)=4JH3CE1

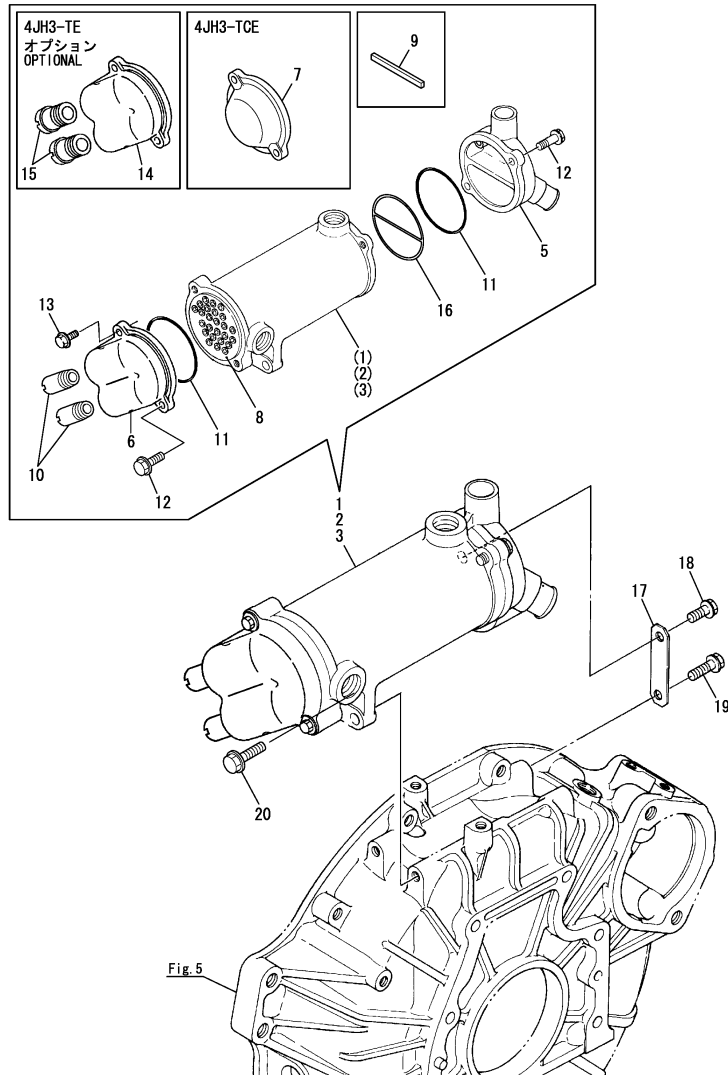
(D)=4JH3-TE  
(E)=4JH3-TCE  
(F)=

No.	Lev.	Parts No.	Description	Q'ty						I	R
				(A)	(B)	(C)	(D)	(E)	(F)		
1	1	129670-33000	COOLER, OIL	1	1	1					
2	1	129670-33510	SUPPORT	1	1	1					
3	1	129670-33520	SUPPORT	1	1	1					
4	1	129670-33530	SEAT, RUBBER	1	1	1					
5	1	26106-080122	BOLT, M8X 12 PLATED	3	3	3					
6	1	129670-39201	PIPE ASSY, OIL	1	1	1					
9	1	129670-39300	PIPE ASSY, OIL	1	1	1					
12	1	23414-200000	GASKET, 20X1.0	8	8	8					
13	1	23857-150000	BOLT, JOINT 15	4	4	4					
14	1	124160-39140	BOLT, PIPE JOINT M10	1	1	1					
15	1	124450-39240	RETAINER, PIPE	1	1	1					
16	1	129470-39452	PIPE ASSY, OIL	1	1	1					
20	1	124550-59820	BOLT, PIPE JOINT M8	1	1	1					
21	1	22190-080002	WASHER, SEAL 6	2	2	2					
22	1	23414-100000	GASKET, 10X1.0	2	2	2					

Fig.22. LUB.OIL COOLER(4JH3-TE)

(A)=4JH3E  
(B)=4JH3CE  
(C)=4JH3CE1

(D)=4JH3-TE  
(E)=4JH3-TCE  
(F)=



No.	Lev.	Parts No.	Description	Q'ty						I	R	
				(A)	(B)	(C)	(D)	(E)	(F)			
1	1	129673-33000	COOLER ASSY, OIL				1					
1-1	1	129673-33001	COOLER ASSY, OIL				1				R	1
				(D=E/#13135)								
2	1	129671-33000	COOLER ASSY, OIL						1			
2-1	1	129671-33001	COOLER ASSY, OIL					1			R	1
				(E=E/#13135)								
3	1	129673-33100	COOLER ASSY, OIL				1					2
3-1	1	129673-33101	COOLER ASSY, OIL				1				R	2
				(D=E/#13135)								
5	2	129673-33020	COVER, COOLER				1	1				
6	2	129673-33030	COVER, COOLER				1					
7	2	129670-44420	COVER, COOLER					1				
8	2	129673-33040	CORE, COOLER				1	1				
8-1	2	129673-33041	CORE, LUB OIL COOLER				1	1			F	3
				(D=E/#13135) (E=E/#13135)								
9	3	129270-44490	SEAL					1				W
				(D=FROM 1ST)								
9-1	3	129270-44490	SEAL					1	1			Z
				(D=E/#13135) (E=E/#13135)								
10	2	104271-49060	JOINT, PIPE				2					
11	2	24321-000800	O-RING, 1AG80.0				2	2				
12	2	26106-080252	BOLT, M8X 25 PLATED				3	3				
13	2	26106-080302	BOLT, M8X 30 PLATED				1	1				
14	2	129673-33130	COVER, COOLER				1					4
15	2	123325-49421	JOINT, PIPE				2					4
16	2	129673-33050	GASKET, COOLER				1	1			W	
				(D=E/#13135) (E=E/#13135)								
17	1	129474-33500	RETAINER				1	1				
18	1	26106-080142	BOLT, M8X 14 PLATED				1	1				
19	1	26106-080162	BOLT, M8X 16 PLATED				1	1				
20	1	26106-080252	BOLT, M8X 25 PLATED				2	2				

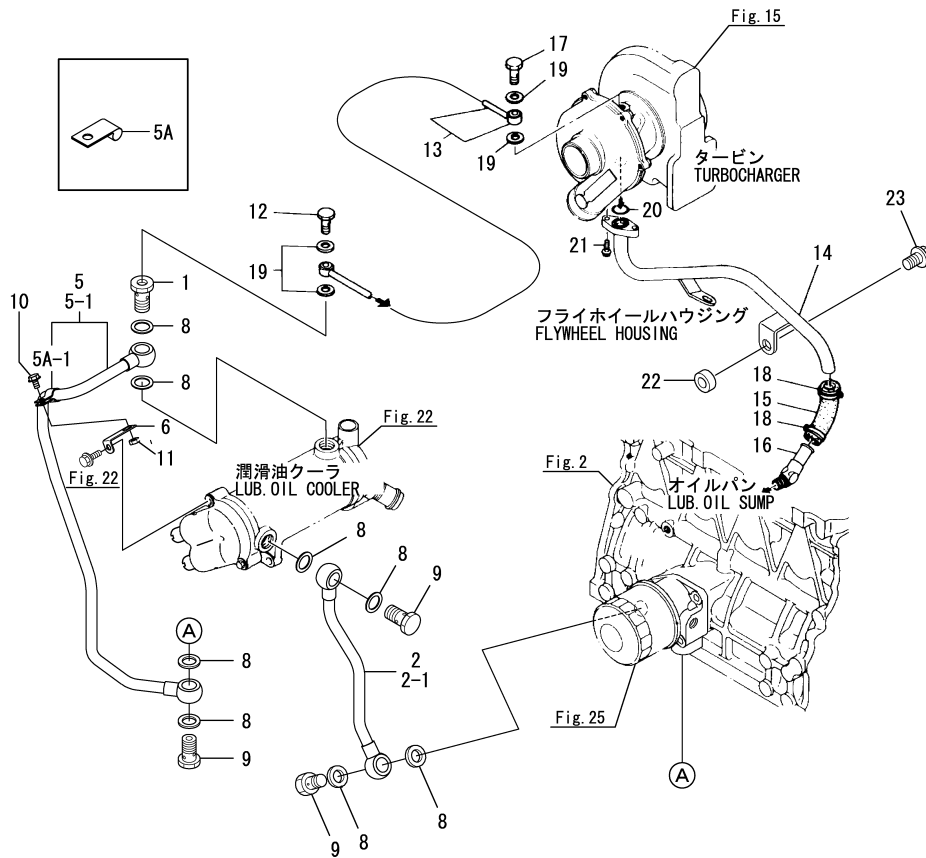
Remarks

- (1)From made of VALEO made of MOTA.
- (2)From made of VALEO made of MOTA.
- OPTIONAL
- (3)GASKET addition arrangements main point when CORE ASSY is exchanged cooler by manufacturer change.
- (4)OPTIONAL

Fig.23. LUB.OIL PIPE(4JH3-TE)

(A)=4JH3E  
(B)=4JH3CE  
(C)=4JH3CE1

(D)=4JH3-TE  
(E)=4JH3-TCE  
(F)=

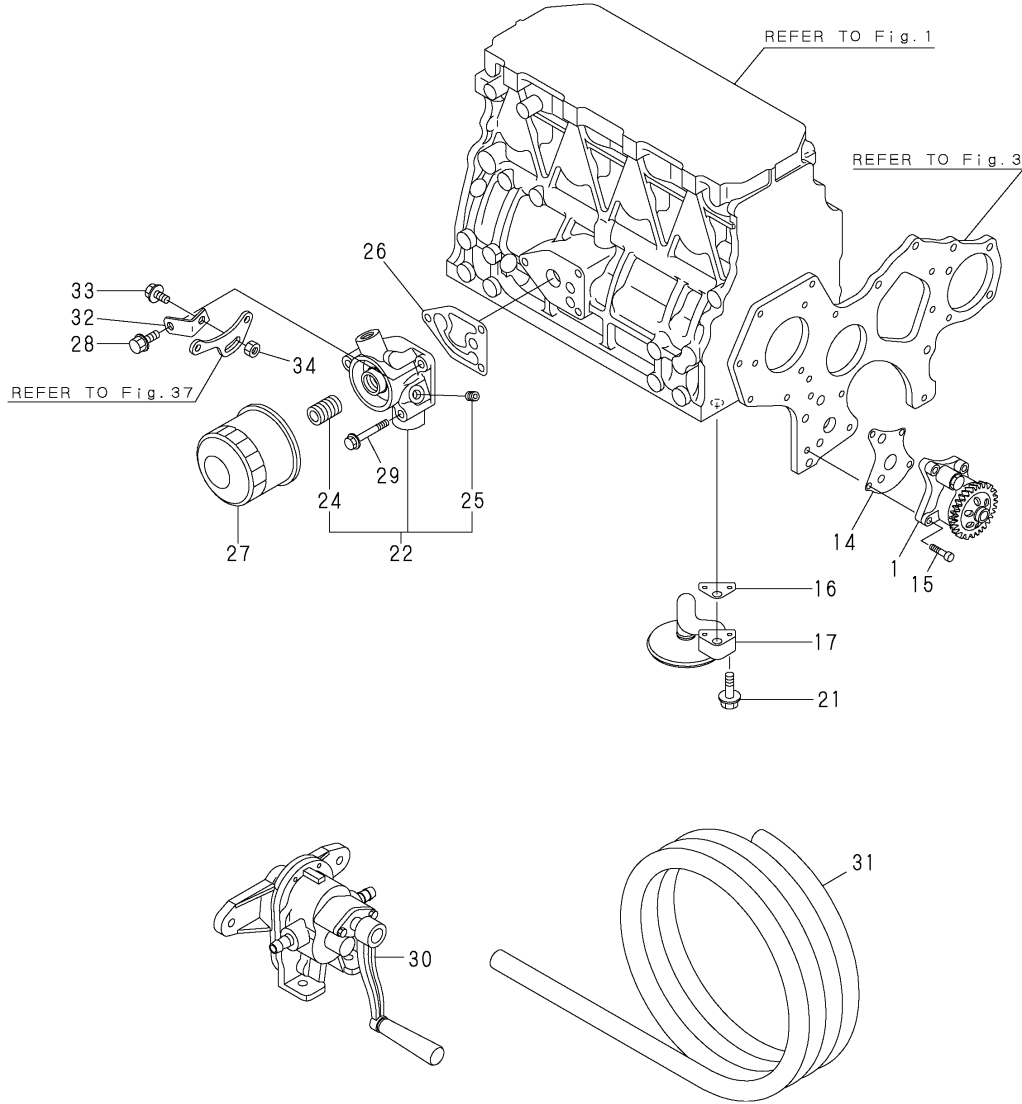


No.	Lev.	Parts No.	Description	Q'ty						I	R
				(A)	(B)	(C)	(D)	(E)	(F)		
1	1	129472-39020	BOLT, M20XM10				1	1			
2	1	129693-39250	PIPE ASSY, OIL				1	1			
2-1	1	129693-39251	PIPE ASSY, COOLER				1	1			R
			(D=EXXXXX)		(E=EXXXXX)						
5	1	129673-39300	PIPE ASSY, OIL				1	1			
5-1	1	129673-39301	PIPE, LUB. OIL				1	1			R
			(D=EXXXXX)		(E=EXXXXX)						
5A	2	129495-39360	RETAINER				1	1			
5A-1	2	129495-39361	CLAMP				1	1			N
			(D=EXXXXX)		(E=EXXXXX)						
6	1	129495-39350	STAY				1	1			
8	1	23414-200000	GASKET, 20X1.0				8	8			
9	1	23857-150000	BOLT, JOINT 15				3	3			
10	1	26106-060162	BOLT, M6X 16 PLATED				1	1			
11	1	26756-060002	NUT, LOCK M6				1	1			
12	1	121252-39150	BOLT, JOINT M10X1.5				1	1			
13	1	129474-39450	PIPE ASSY, OIL				1	1			
14	1	129693-39600	PIPE, OIL				1	1			
15	1	129792-39610	JOINT, RUBBER				1	1			
16	1	129472-39620	ELBOW, PT3/8				1	1			
17	1	124413-39710	BOLT, PIPE JOINT M10				1	1			
18	1	23000-025000	CLAMP, 25				2	2			
19	1	23414-100000	GASKET, 10X1.0				4	4			
20	1	24314-000180	O-RING, 4CP18.0				1	1			
21	1	26106-060162	BOLT, M6X 16 PLATED				2	2			
22	1	129301-34830	SPACER				1	1			
23	1	26106-100252	BOLT, M10X 25 PLATED				1	1			

Fig.24. LUB.OIL SYSTEM(4JH3E)

(A)=4JH3E  
(B)=4JH3CE  
(C)=4JH3CE1

(D)=4JH3-TE  
(E)=4JH3-TCE  
(F)=

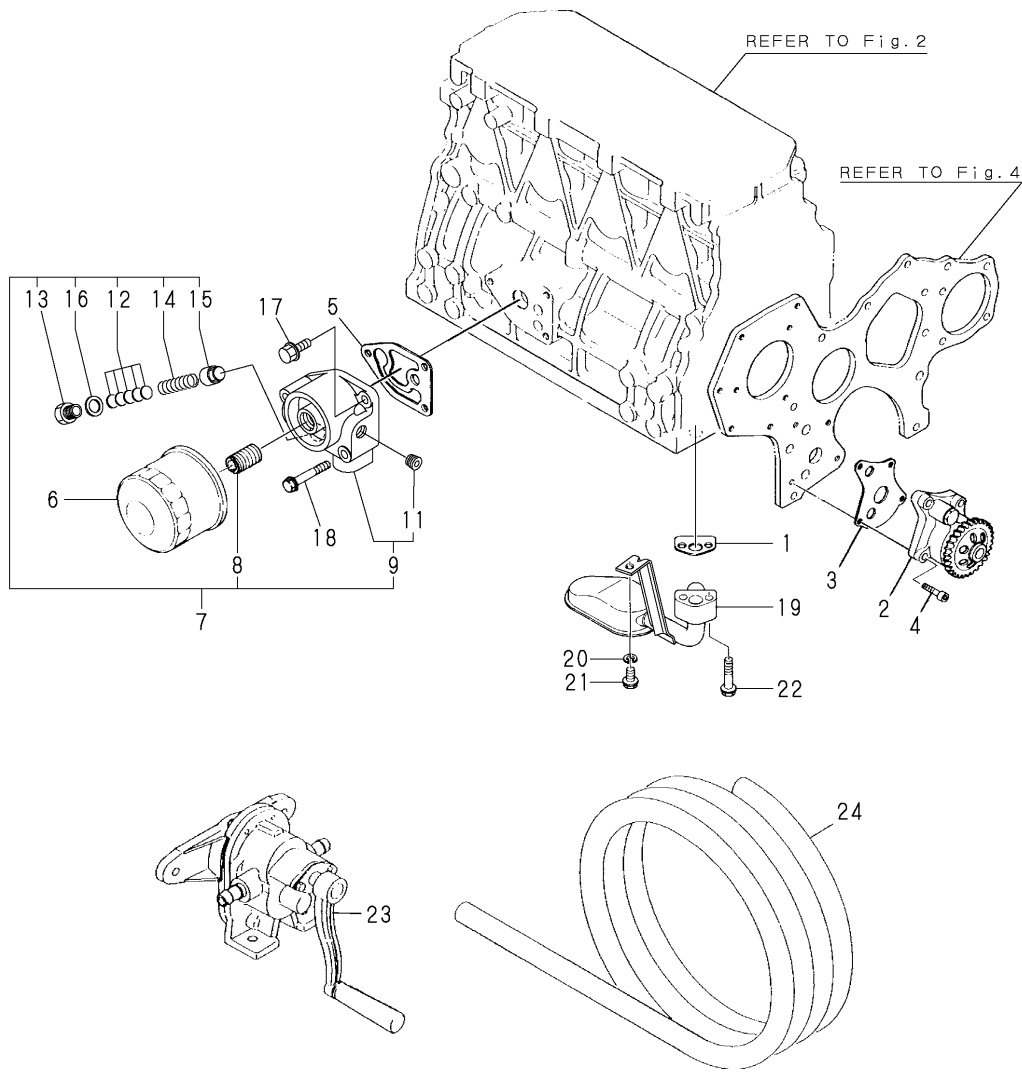


No.	Lev.	Parts No.	Description	Q'ty						I	R
				(A)	(B)	(C)	(D)	(E)	(F)		
1	1	129670-32000	PUMP ASSY, OIL	1	1	1					
14	1	129150-32020	GASKET, PUMP	1	1	1					
15	1	26450-060252	BOLT, M6X 25	4	4	4					
16	1	129150-35041	GASKET	1	1	1					
17	1	129670-35090	PIPE ASSY, OIL INLET	1	1	1					
21	1	26106-080352	BOLT, M8X 35 PLATED	2	2	2					
22	1	129670-35101	BRACKET ASSY, FILTER	1	1	1					
24	2	129100-35140	STUD	1	1	1					
25	2	23876-020000	PLUG, R02	1	1	1					
26	1	129470-35121	GASKET	1	1	1					
27	1	129150-35151	FILTER, D80XL80	1	1	1					
28	1	26106-080202	BOLT, M8X 20 PLATED	1	1	1					
29	1	26106-080502	BOLT, M8X 50 PLATED	2	2	2					
30	1	124413-39100	PUMP ASSY, WASTE	1	1	1					
31	1	43720-001220	PIPE	1	1	1					
32	1	129590-59200	RETAINER, PIPE	1	1	1					W
		(A=FROM 1ST) (B=FROM 1ST) (C=FROM 1ST)									
33	1	26106-080162	BOLT, M8X 16 PLATED	1	1	1					W
		(A=FROM 1ST) (B=FROM 1ST) (C=FROM 1ST)									
34	1	26306-080002	NUT, M8	1	1	1					W
		(A=FROM 1ST) (B=FROM 1ST) (C=FROM 1ST)									

Fig.25. LUB.OIL SYSTEM(4JH3-TE)

(A)=4JH3E  
(B)=4JH3CE  
(C)=4JH3CE1

(D)=4JH3-TE  
(E)=4JH3-TCE  
(F)=

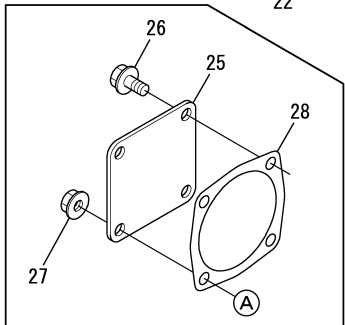
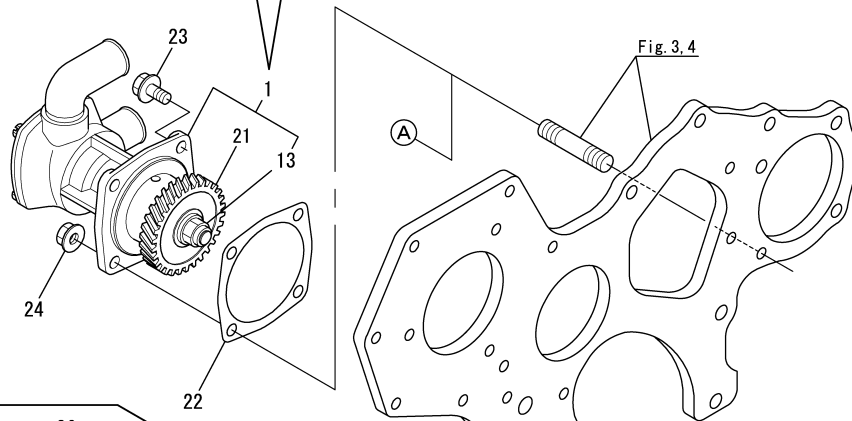
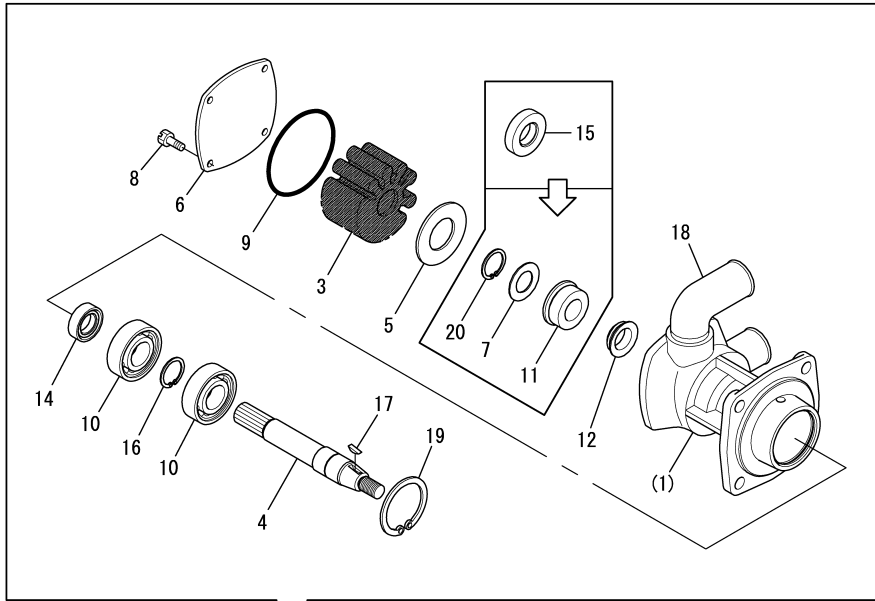


No.	Lev.	Parts No.	Description	Q'ty						I	R
				(A)	(B)	(C)	(D)	(E)	(F)		
1	1	129470-35040	GASKET				1	1			
2	1	129470-32000	PUMP ASSY, OIL				1	1			
3	1	129150-32020	GASKET, PUMP				1	1			
4	1	26450-060252	BOLT, M6X 25				4	4			
5	1	129693-35130	GASKET				1	1			
6	1	129150-35151	FILTER, D80XL80				1	1			
7	1	129693-35150	BRACKET ASSY, FILTER				1	1			
8	2	129100-35140	STUD				1	1			
9	2	129693-35170	BRACKET ASSY				1	1			
11	3	23876-020000	PLUG, R02				1	1			
12	2	121850-35200	SHIM SET				1	1			
13	2	124223-35510	RETAINER, SPRING				1	1			
14	2	121850-35520	SPRING				1	1			
15	2	121850-35531	VALVE, CONTROL				1	1			
16	2	23414-180000	GASKET, 18X1.0				1	1			
17	1	26106-080202	BOLT, M8X 20 PLATED				1	1			
18	1	26106-080502	BOLT, M8X 50 PLATED				2	2			
19	1	129473-35091	PIPE ASSY, OIL INLET				1	1			
20	1	22217-080000	WASHER, SPRING 8				1	1			
21	1	26106-080142	BOLT, M8X 14 PLATED				1	1			
22	1	26106-080352	BOLT, M8X 35 PLATED				2	2			
23	1	124413-39100	PUMP ASSY, WASTE				1	1			
24	1	43720-001220	PIPE				1	1			

Fig.26. COOLING SEA WATER PUMP

(A)=4JH3E  
(B)=4JH3CE  
(C)=4JH3CE1

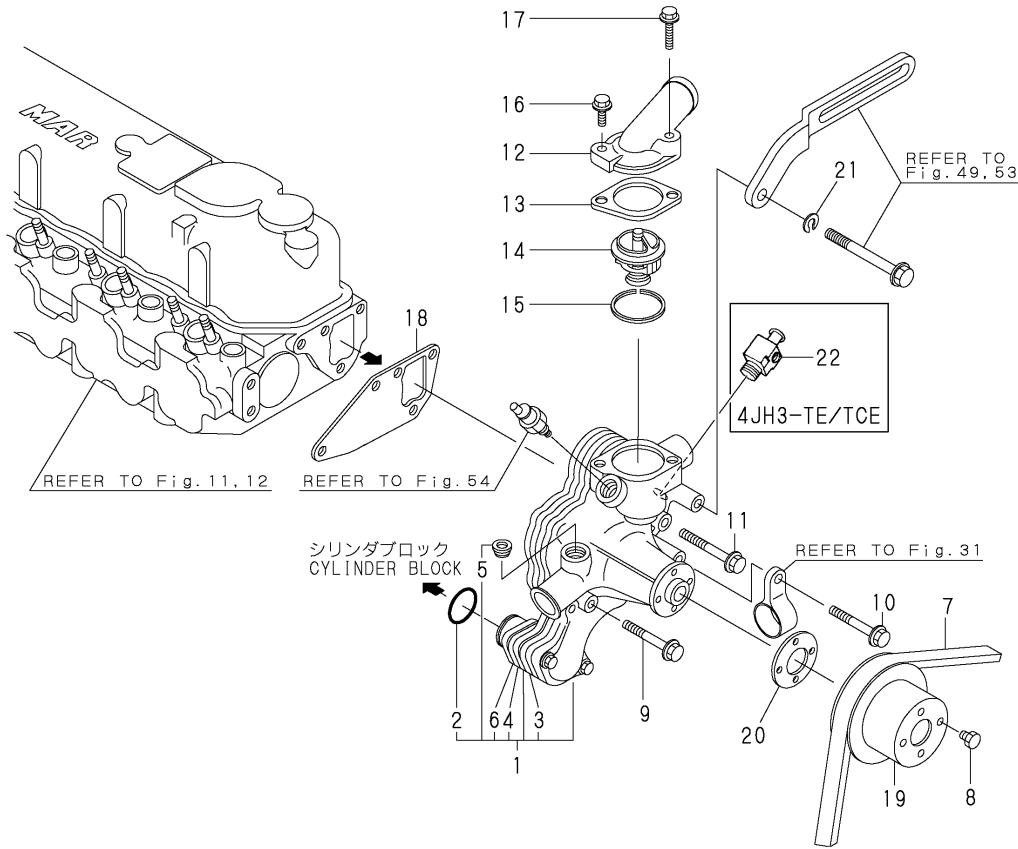
(D)=4JH3-TE  
(E)=4JH3-TCE  
(F)=



No.	Lev.	Parts No.	Description	Q'ty						I	R
				(A)	(B)	(C)	(D)	(E)	(F)		
1	1	129670-42500	PUMP ASSY, WATER	1	1		1				
1-1	1	129670-42501	PUMP ASSY, WATER	1	1		1				R
		(A=E22126) (B=E22126)	(D=E10584)								
1-2	1	129670-42510	PUMP ASSY, WATER	1	1	1	1	1			N
		(A=E22643) (B=E22643)	(D=E10799)								
3	2	129670-42530	IMPELLER	1	1	1	1	1			
4	2	X0146531	SHAFT	1	1	1	1	1			
5	2	129670-42540	PLATE	1	1	1	1	1			
6	2	129670-42520	COVER	1	1	1	1	1			
7	2	129670-42550	WASHER	1	1	1	1	1			W
		(A=E22643) (B=E22643)	(D=E10799)								
8	2	119175-42620	SCREW	4	4	4	4	4			R
9	2	X0506590	O-RING	1	1	1	1	1			
10	2	X0508129	BEARING	2	2	2	2	2			
11	2	129670-42560	SEAL, MECHANICAL	1	1	1	1	1			W
		(A=E22643) (B=E22643)	(D=E10799)								
12	2	X0519503	RING	1	1	1	1	1			
13	2	X0505526	NUT, LOCK	1	1	1	1	1			
14	2	X0529105	SEAL	1	1	1	1	1			
15	2	X0529530	SEAL, LIP	1	1		1				Z
		(A=E22643) (B=E22643)	(D=E10799)								
16	2	X053421	CIRCLIP	1	1	1	1	1			
17	2	129670-42580	KEY	1	1	1	1	1			
18	2	X01357681	CONNECTOR	1	1	1	1	1			
19	2	X0534130	CIRCLIP	1	1	1	1	1			
20	2	129670-42570	CIRCLIP	1	1	1	1	1			W
		(A=E22643) (B=E22643)	(D=E10799)								
21	1	129670-42700	GEAR, PUMP	1	1	1	1	1			
22	1	129150-01881	GASKET	1	1	1	1	1			
23	1	26106-080162	BOLT, M8X 16 PLATED	3	3	3	3	3			
24	1	26306-080002	NUT, M8	1	1	1	1	1			
25	1	124240-01871	COVER	1	1	1	1	1			
26	1	26106-080162	BOLT, M8X 16 PLATED	3	3	3	3	3			
27	1	26306-080002	NUT, M8	1	1	1	1	1			
28	1	129150-01881	GASKET	1	1	1	1	1			
28-1	1	129C26-01890	GASKET, HO-P	1	1	1	1	1			R
		(A=*2012.03) (B=*2012.03) (C=*2012.03) (D=*2012.03) (E=*2012.03)									



Fig.27. COOLING FRESH WATER PUMP

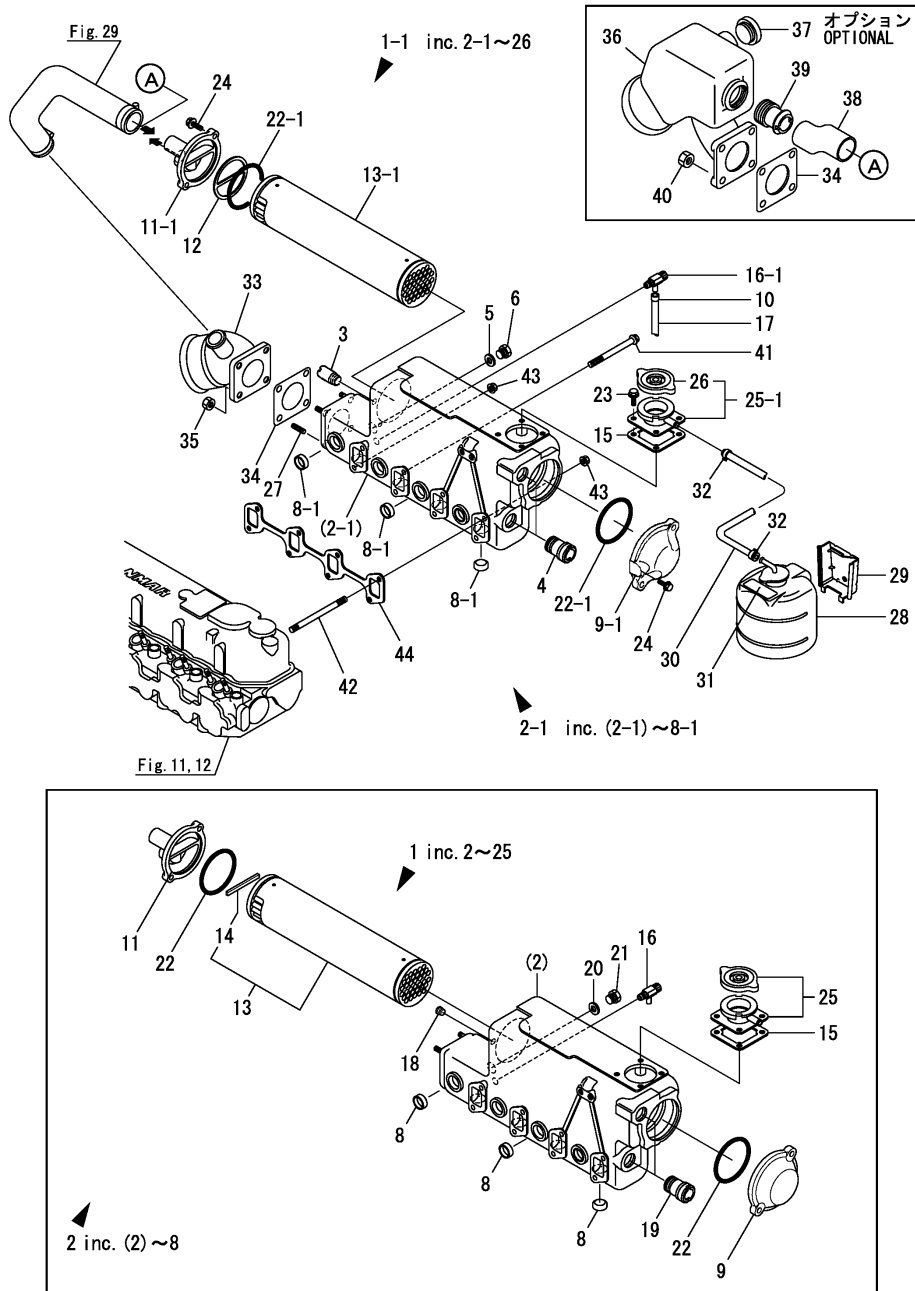


(A)=4JH3E  
(B)=4JH3CE  
(C)=4JH3CE1

(D)=4JH3-TE  
(E)=4JH3-TCE  
(F)=

No.	Lev.	Parts No.	Description	Q'ty						I	R
				(A)	(B)	(C)	(D)	(E)	(F)		
1	1	129470-42001	PUMP ASSY, WATER	1	1	1	1	1			
1-1	1	129470-42002	PUMP ASSY, WATER	1	1	1	1	1		R	
		(A=E/#25450) (B=E/#25450) (C=E/#25450) (D=E/#12627)						(E=E/#12627)			
2	2	129150-42320	O-RING	1	1	1	1	1			
2-1	2	129054-42320	O-RING	1	1	1	1	1		N	
		(A=E/#25450) (B=E/#25450) (C=E/#25450) (D=E/#12627)						(E=E/#12627)			
3	2	129470-42050	GASKET	1	1	1	1	1			
3-1	2	129052-42050	GASKET	1	1	1	1	1		R	
		(A=E/#25450) (B=E/#25450) (C=E/#25450) (D=E/#12627)						(E=E/#12627)			
4	2	129470-42310	GASKET	1	1	1	1	1			
4-1	2	129052-42310	GASKET	1	1	1	1	1		R	
		(A=E/#25450) (B=E/#25450) (C=E/#25450) (D=E/#12627)						(E=E/#12627)			
5	2	124085-11690	PLUG, 3/8	3	3	3	3	3			
5-1	2	23875-030000	PLUG, R03	3	3	3	3	3		S	
		(A=E/#25450) (B=E/#25450) (C=E/#25450) (D=E/#12627)						(E=E/#12627)			
6	2	129150-42300	FLANGE	1	1	1	1	1			
7	1	25132-004600	V-BELT, A46	1	1	1	1	1			
8	1	26106-060102	BOLT, M6X 10 PLATED	4	4	4	4	4			
9	1	26106-080552	BOLT, M8X 55 PLATED	2	2	2	2	2			
10	1	26106-080552	BOLT, M8X 55 PLATED	1	1	1					
10A	1	26106-080602	BOLT, M8X 60 PLATED				1	1			
11	1	26106-080552	BOLT, M8X 55 PLATED	1	1	1					
11B	1	26106-080652	BOLT, M8X 65 PLATED				1	1			
12	1	129470-49540	COVER, THERMOSTAT	1	1	1	1	1			
13	1	129795-49551	GASKET	1	1	1	1	1			
14	1	129470-49801	THERMOSTAT, 76.5	1	1	1	1	1			
15	1	129470-49810	GASKET, THERMOSTAT	1	1	1	1	1			
16	1	26106-080252	BOLT, M8X 25 PLATED	1	1	1	1	1			
17	1	26106-080352	BOLT, M8X 35 PLATED	1	1	1	1	1			
18	1	129150-42020	GASKET, WATER PUMP	1	1	1	1	1			
18-1	1	129486-42050	GASKET, WATER PUMP	1	1	1	1	1		R	
		(A=*2002.10) (B=*2002.10) (C=*2002.10) (D=*2002.10)						(E=*2002.10)			
19	1	129550-42350	V-PULLEY, D=120	1	1	1	1	1			
20	1	129156-44760	WASHER	1	1	1	1	1			
21	1	22217-080000	WASHER, SPRING 8	1	1	1	1	1			
22	1	129473-49310	JOINT, PT3/8-8				1	1			

Fig.28. COOLING FRESH WATER COOLER



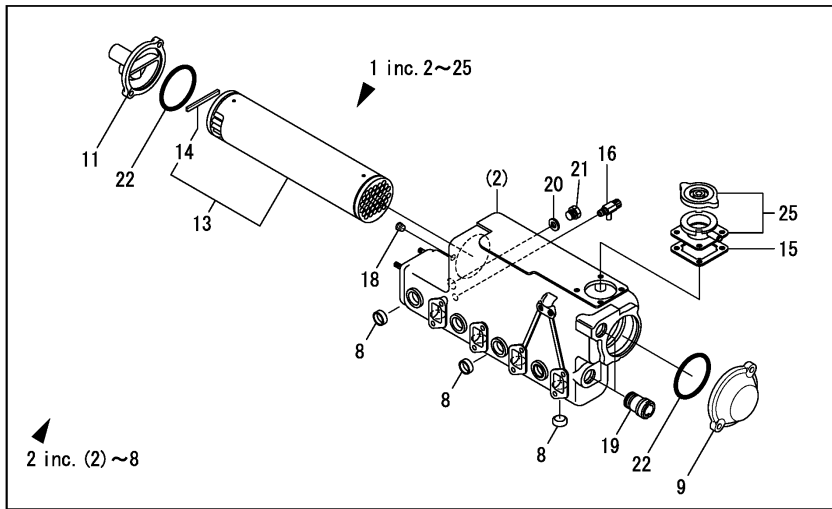
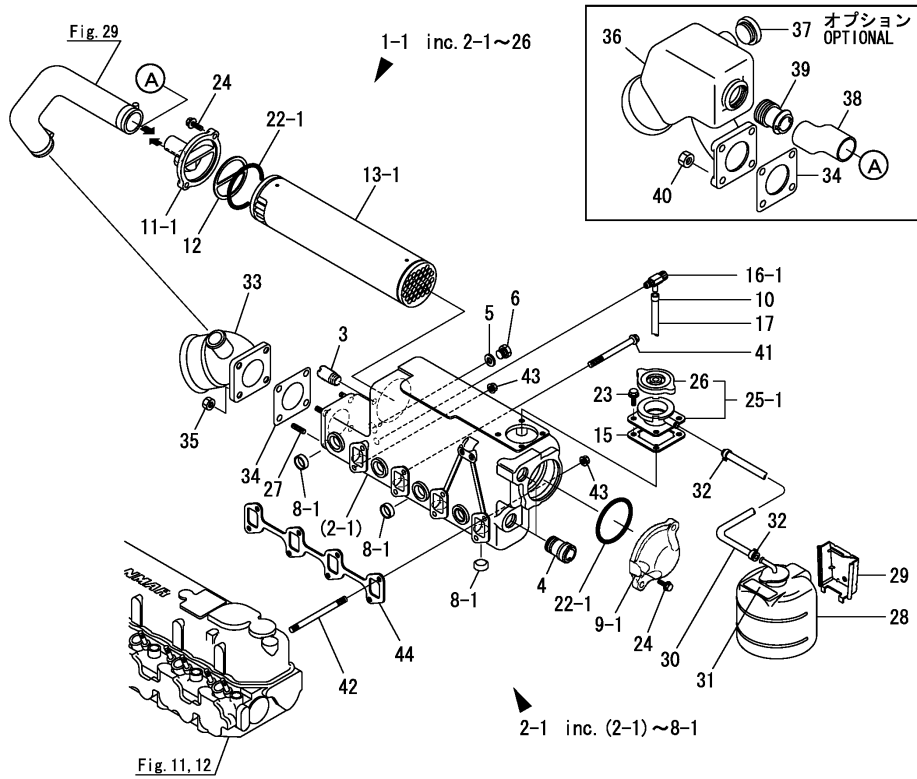
No.	Lev.	Parts No.	Description	Q'ty						I	R
				(A)	(B)	(C)	(D)	(E)	(F)		
1	1	129670-44900	COOLER ASSY, WATER	1	1	1	1	1			
1-1	1	129473-44900	COOLER ASSY, WATER	1	1	1	1	1		N	
		(A=E25003) (B=E25003) (C=E25003) (D=E12191) (E=E12191)									
2	2	129670-44000	BODY ASSY, COOLER	1	1	1	1	1			
2-1	2	129473-44000	COOLER ASSY, WATER	1	1	1	1	1		S	
		(A=E25003) (B=E25003) (C=E25003) (D=E12191) (E=E12191)									
3	3	104407-44480	JOINT	1	1	1	1	1		W	
		(A=E25003) (B=E25003) (C=E25003) (D=E12191) (E=E12191)									
4	3	124160-49480	JOINT, PIPE	2	2	2	2	2		W	
		(A=E25003) (B=E25003) (C=E25003) (D=E12191) (E=E12191)									
5	3	23414-170000	GASKET, 17X1.0	1	1	1	1	1		W	
		(A=E25003) (B=E25003) (C=E25003) (D=E12191) (E=E12191)									
6	3	23894-030002	PLUG, G3/8	1	1	1	1	1		W	
		(A=E25003) (B=E25003) (C=E25003) (D=E12191) (E=E12191)									
8	3	27241-280000	PLUG, 28	8	8	8	8	8			
8-1	3	27241-280000	PLUG, 28	4	4	4	4	4		K	
		(A=E25003) (B=E25003) (C=E25003) (D=E12191) (E=E12191)									
9	2	129670-44420	COVER, COOLER	1	1	1	1	1			
9-1	2	129470-44450	COVER, B	1	1	1	1	1		S	
		(A=E25003) (B=E25003) (C=E25003) (D=E12191) (E=E12191)									
10	2	23080-013000	CLAMP, 13	1	1	1	1	1			
11	2	129670-44410	COVER, COOLER	1	1	1	1	1			
11-1	2	129470-44440	COVER, A	1	1	1	1	1		S	
		(A=E25003) (B=E25003) (C=E25003) (D=E12191) (E=E12191)									
12	2	120322-33050	GASKET	1	1	1	1	1		W	
		(A=E25003) (B=E25003) (C=E25003) (D=E12191) (E=E12191)									
13	2	129670-44400	CORE ASSY, COOLER	1	1	1	1	1			
13-1	2	129473-44111	CORE ASSY, COOLER	1	1	1	1	1		S	
		(A=E25003) (B=E25003) (C=E25003) (D=E12191) (E=E12191)									
14	3	129270-44490	SEAL	1	1	1	1	1		W	
		(A=FROM 1ST) (B=FROM 1ST) (C=FROM 1ST) (D=FROM 1ST) (E=FROM 1ST)									
14-1	3	129270-44490	SEAL	1	1	1	1	1		Z	
		(A=E25003) (B=E25003) (C=E25003) (D=E12191) (E=E12191)									
15	2	120445-44640	GASKET	1	1	1	1	1			
16	2	120130-49350	COCK, 1/4	1	1		1				
16-1	2	119620-49290	COCK ASSY, 1/4	1	1	1	1	1		N	
		(A=E21539) (B=E21539) (D=E10233)									
17	2	23061-120300	PIPE, 12X 300	1	1	1	1	1			
18	2	23871-030000	PLUG, R03	1	1	1	1	1		Z	
		(A=E25003) (B=E25003) (C=E25003) (D=E12191) (E=E12191)									
19	2	124160-49480	JOINT, PIPE	2	2	2	2	2		Z	
		(A=E25003) (B=E25003) (C=E25003) (D=E12191) (E=E12191)									
20	2	23414-170000	GASKET, 17X1.0	1	1	1	1	1		Z	
		(A=E25003) (B=E25003) (C=E25003) (D=E12191) (E=E12191)									
21	2	23894-030002	PLUG, G3/8	1	1	1	1	1		Z	
		(A=E25003) (B=E25003) (C=E25003) (D=E12191) (E=E12191)									
22	2	24321-000800	O-RING, 1AG80.0	2	2	2	2	2			
22-1	2	24321-000750	O-RING, 1AG75.0	2	2	2	2	2		S	
		(A=E25003) (B=E25003) (C=E25003) (D=E12191) (E=E12191)									
23	2	26106-080162	BOLT, M8X 16 PLATED	4	4	4	4	4			
24	2	26106-080252	BOLT, M8X 25 PLATED	4	4	4	4	4			

N:Old  $\begin{matrix} \text{Yes} \\ \text{No} \end{matrix}$  New, Q:Old  $\begin{matrix} \text{No} \\ \text{Yes} \end{matrix}$  New, R:Old  $\begin{matrix} \text{Yes} \\ \text{No} \end{matrix}$  New, S:Old  $\begin{matrix} \text{No} \\ \text{Yes} \end{matrix}$  New, W:Add, Z:Discontinued, F:Interchangeable by set, K:Q'ty Change  
 ++ CONTINUE ++  
 Copyright (C) YANMAR CO., LTD. All Rights Reserved.

Fig.28. COOLING FRESH WATER COOLER

(A)=4JH3E  
(B)=4JH3CE  
(C)=4JH3CE1

(D)=4JH3-TE  
(E)=4JH3-TCE  
(F)=

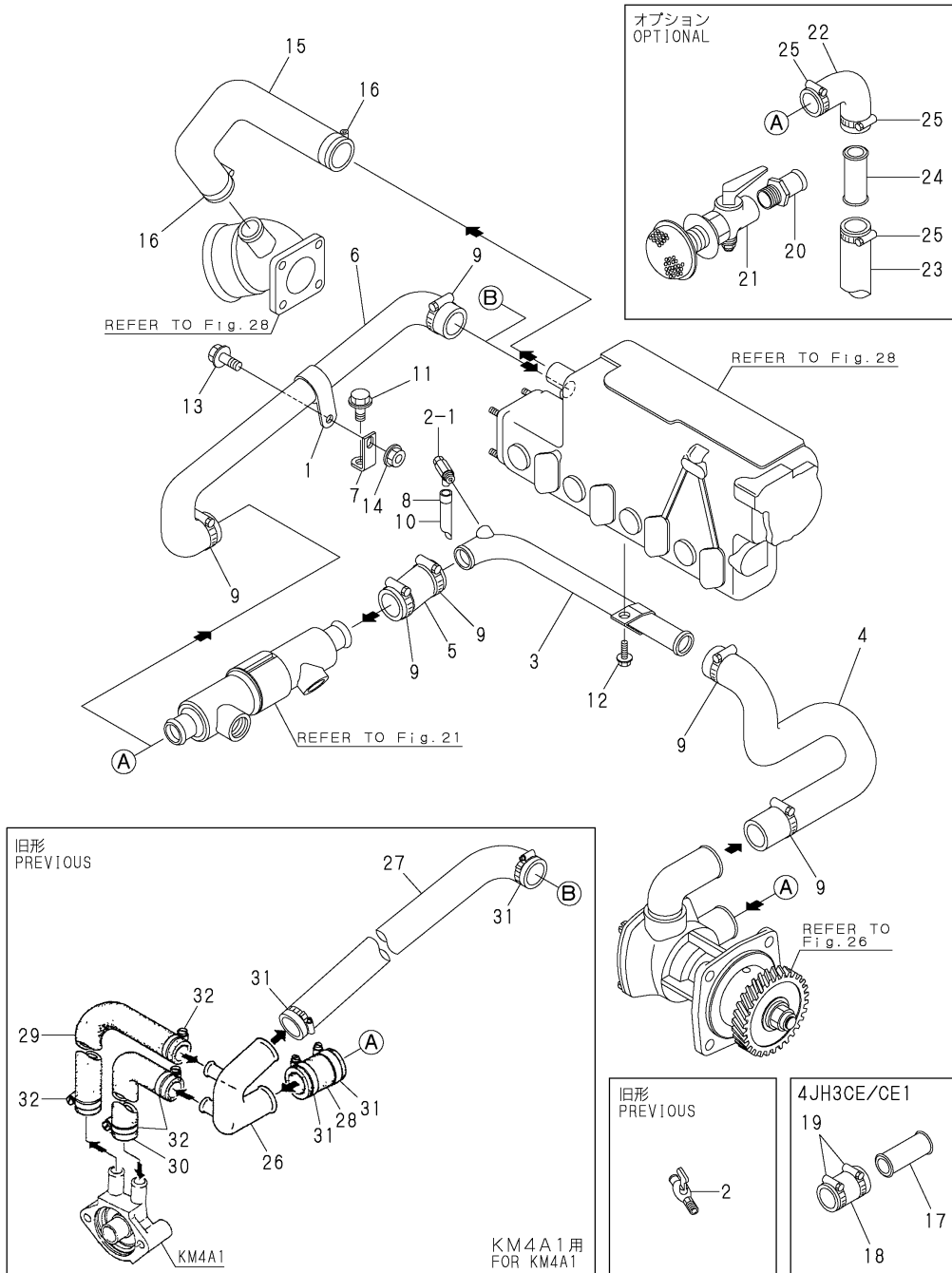


No.	Lev.	Parts No.	Description	Q'ty						I	R
				(A)	(B)	(C)	(D)	(E)	(F)		
25	2	129670-44600	FILLER ASSY	1	1	1	1				
25-1	2	129171-44600	FILLER ASSY	1	1	1	1	1			R
		(A=E24255) (B=E24255) (C=E24255) (D=E11769)									
26	3	129107-44590	CAP, RADIATOR	1	1	1	1	1			W
		(A=E24255) (B=E24255) (C=E24255) (D=E11769)									
27	1	128170-13600	STUD, M8X31	4	4	4	4	4			
28	1	128397-44500	TANK ASSY, SUB	1	1	1	1	1			
29	1	128397-44510	BRACKET	1	1	1	1	1			
30	1	124790-44560	PIPE, WATER L=1000	1	1	1	1	1			
31	1	129670-44570	LABEL, SUB-TANK	1	1	1	1	1			
32	1	23010-013000	CLAMP 13	2	2	2	2	2			
33	1	129670-13560	ELBOW	1	1	1					
34	1	129472-18090	GASKET	1	1	1					
35	1	26703-080002	NUT, M8	4	4	4					
36	1	129470-13541	ELBOW	1	1	1					
37	1	129472-13560	PLUG, PT3/4	1	1	1					
38	1	129470-49050	PIPE, WATER	1	1	1					
39	1	123325-49421	JOINT, PIPE	1	1	1					
40	1	26703-080002	NUT, M8	4	4	4					
41	1	26106-081002	BOLT, M8X100 PLATED	6	6	6	6	6			
42	1	26216-081002	STUD, M8X100	2	2	2	2	2			
43	1	26306-080002	NUT, M8	2	2	2	2	2			
44	1	129550-13110	GASKET	1	1	1	1	1			

Fig.29. COOLING SEA WATER PIPE(4JH3E)

(A)=4JH3E  
(B)=4JH3CE  
(C)=4JH3CE1

(D)=4JH3-TE  
(E)=4JH3-TCE  
(F)=



No.	Lev.	Parts No.	Description	Q'ty						I	R
				(A)	(B)	(C)	(D)	(E)	(F)		
1	1	127610-03270	RETAINER	1	1	1					
2	1	128695-44090	COCK	1	1						
2-1	1	129670-49290	COCK ASSY, R1/8	1	1	1					N
3	1	129470-49010	PIPE, WATER	1	1	1					
4	1	129670-49010	PIPE, WATER	1	1	1					
4-1	1	129670-49110	PIPE, WATER	1	1	1					R
5	1	129670-49030	PIPE C, COOLING WATER	1	1	1					
5-1	1	129670-49130	PIPE, WATER	1	1	1					R
6	1	129670-49040	PIPE, WATER	1	1	1					
6-1	1	129670-49140	PIPE, WATER	1	1	1					R
7	1	129670-49350	RETAINER, PIPE	1	1	1					
8	1	124460-77680	RETAINER	1	1	1					
9	1	23000-035000	CLAMP, 35	6	6	6					
9-1	1	129670-49500	CLIP, HOSE 38	6	6	6					R
10	1	23061-070300	PIPE, 7X 300	1	1	1					
11	1	26106-080122	BOLT, M8X 12 PLATED	1	1	1					
12	1	26106-080162	BOLT, M8X 16 PLATED	1	1	1					
13	1	26106-080162	BOLT, M8X 16 PLATED	1	1	1					
14	1	26306-080002	NUT, M8	1	1	1					
15	1	129475-49040	PIPE, WATER	1	1	1					
15-1	1	129670-49150	PIPE, WATER	1	1	1					R
16	1	23000-035000	CLAMP, 35	2	2	2					
16-1	1	129670-49500	CLIP, HOSE 38	2	2	2					R
17	1	129490-49070	JOINT		1	1					
18	1	129171-49900	JOINT, RUBBER		1	1					
19	1	23000-035000	CLAMP, 35		2	2					
19-1	1	129670-49500	CLIP, HOSE 38		2	2					R
20	1	43530-500570	JOINT	1	1	1					
21	1	43662-025030	COCK ASSY, SEA WATER	1	1	1					
22	1	129474-49010	PIPE, WATER	1	1	1					
23	1	129170-49060	PIPE, WATER	1	1	1					
24	1	129490-49070	JOINT	1	1	1					
25	1	23000-035000	CLAMP, 35	4	4	4					
25-1	1	129670-49500	CLIP, HOSE 38	4	4	4					R
26	1	129470-49060	PIPE, WATER	1							Z
27	1	129670-49070	PIPE, WATER	1							Z
28	1	129470-49110	JOINT, 25X55	1							Z
29	1	129673-49030	PIPE, WATER	1							Z

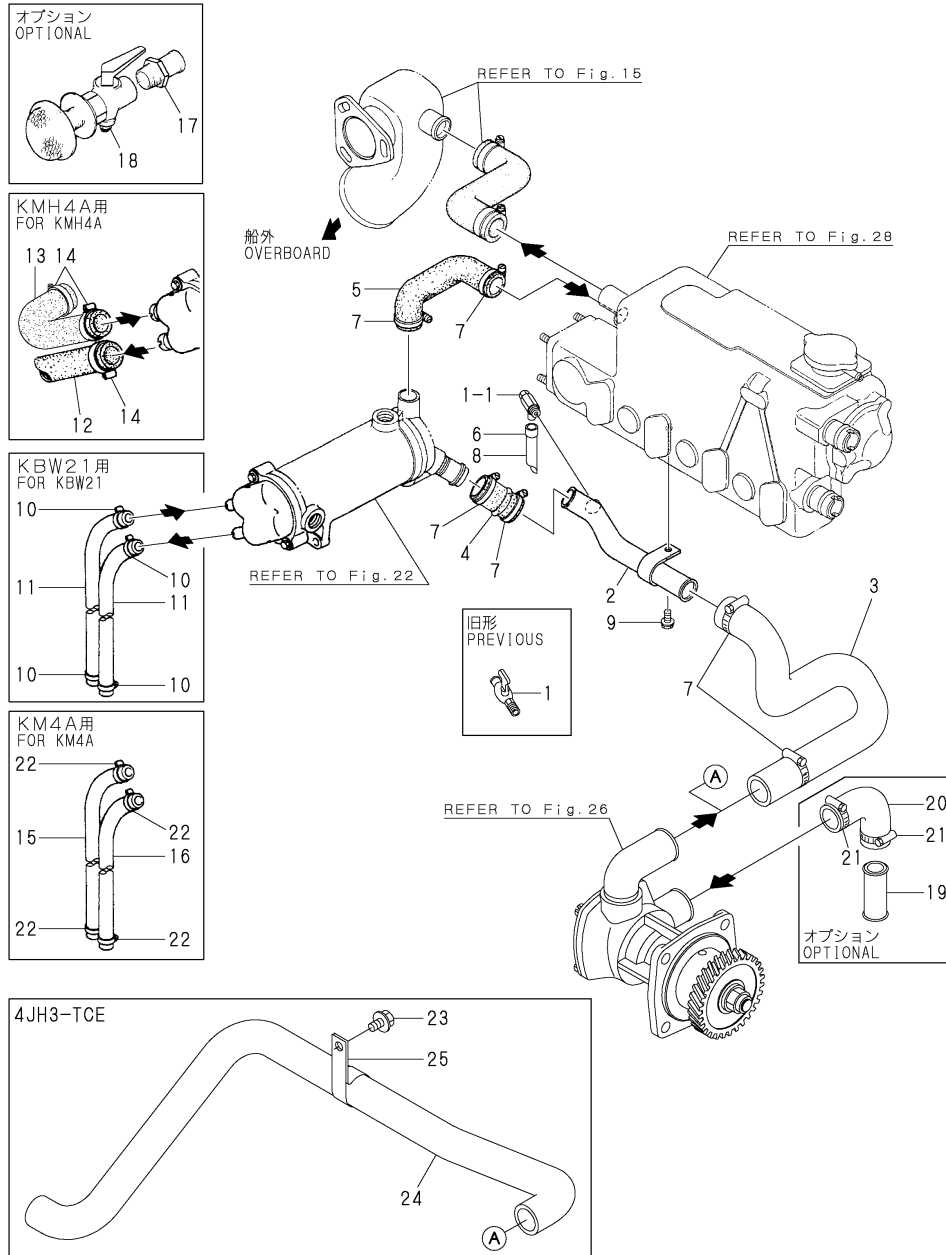
N:Old  $\xrightarrow{\text{Yes}}$  New, Q:Old  $\xrightarrow{\text{No}}$  New, R:Old  $\xrightarrow{\text{Yes}}$  New, S:Old  $\xrightarrow{\text{No}}$  New, W:Add, Z:Discontinued, F:Interchangeable by set, K:Q'ty Change  
 ++ CONTINUE ++  
 Copyright (C) YANMAR CO., LTD. All Rights Reserved.



Fig.30. COOLING SEA WATER PIPE(4JH3-TE)

(A)=4JH3E  
(B)=4JH3CE  
(C)=4JH3CE1

(D)=4JH3-TE  
(E)=4JH3-TCE  
(F)=



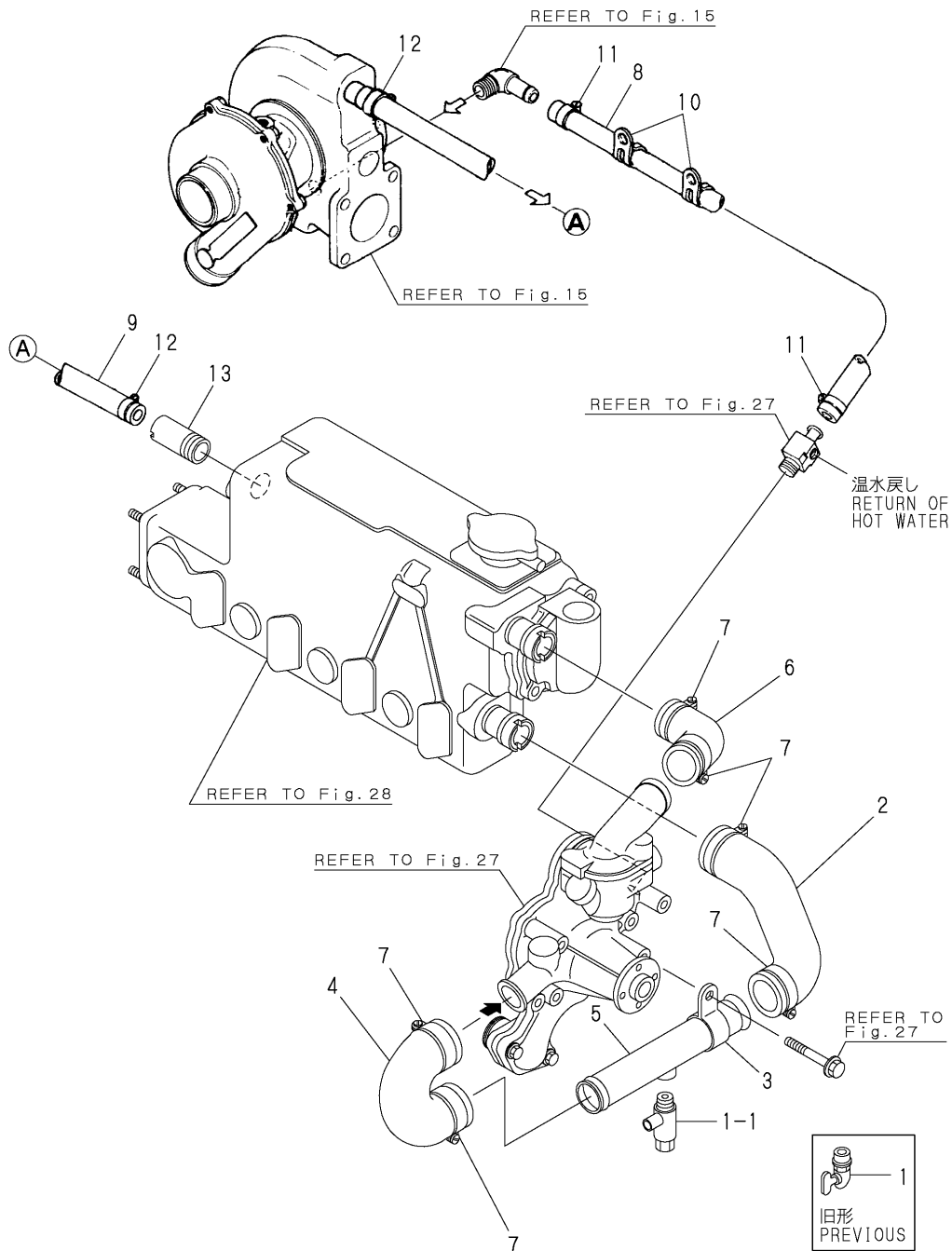
No.	Lev.	Parts No.	Description	Qty						I	R	
				(A)	(B)	(C)	(D)	(E)	(F)			
1	1	128695-44090	COCK				1					
1-1	1	129670-49290	COCK ASSY, R1/8				1	1			N	
(D=E/#10333)												
2	1	129495-49010	PIPE, WATER				1	1				
3	1	129670-49010	PIPE, WATER				1					
3-1	1	129670-49110	PIPE, WATER				1	1			R	
(D=E/#11493)												
4	1	129672-49020	JOINT, RUBBER				1					
4-1	1	129673-49020	PIPE, WATER				1	1			R	
(D=E/#10799)												
5	1	129474-49030	PIPE, WATER				1					
5-1	1	129671-49040	PIPE, WATER				1	1			R	
(D=E/#11493)												
6	1	124460-77680	RETAINER				1	1				
7	1	23000-035000	CLAMP, 35				6					
7-1	1	129670-49500	CLIP, HOSE 38				6	6			R	
(D=E/#11597)												
8	1	23061-070300	PIPE, 7X 300				1	1				
9	1	26106-080162	BOLT, M8X 16 PLATED				1	1				
10	1	23000-022000	CLAMP, 22				4					1
11	1	23072-040300	HOSE, 4X 300				2					1
11-1	1	129673-49030	PIPE, WATER				2				R	1
(D=E/#10799)												
12	1	129494-49050	PIPE, WATER				1					
12-1	1	129673-49070	PIPE, WATER				1				R	
(D=E/#11493)												
13	1	129494-49060	PIPE				1					
13-1	1	129673-49080	PIPE, WATER				1				R	
(D=E/#11493)												
14	1	23000-035000	CLAMP, 35				4					
14-1	1	129670-49500	CLIP, HOSE 38				4				R	
(D=E/#11597)												
15	1	129673-49030	PIPE, WATER				1					
16	1	129673-49100	PIPE, WATER				1					
17	1	43530-500570	JOINT				1	1				
18	1	43662-025030	COCK ASSY, SEA WATER				1	1				
19	1	129490-49070	JOINT				1	1				
20	1	129171-49900	JOINT, RUBBER				1	1				
21	1	23000-035000	CLAMP, 35				2					
21-1	1	129670-49500	CLIP, HOSE 38				6	6			R	
(D=E/#11597)												
22	1	23000-022000	CLAMP, 22				4					
23	1	26106-080142	BOLT, M8X 14 PLATED								1	
24	1	129671-49100	PIPE, WATER								1	
25	1	129671-49110	RETAINER								1	

Remarks  
(1)KBW21

Fig.31. COOLING FRESH WATER PIPE

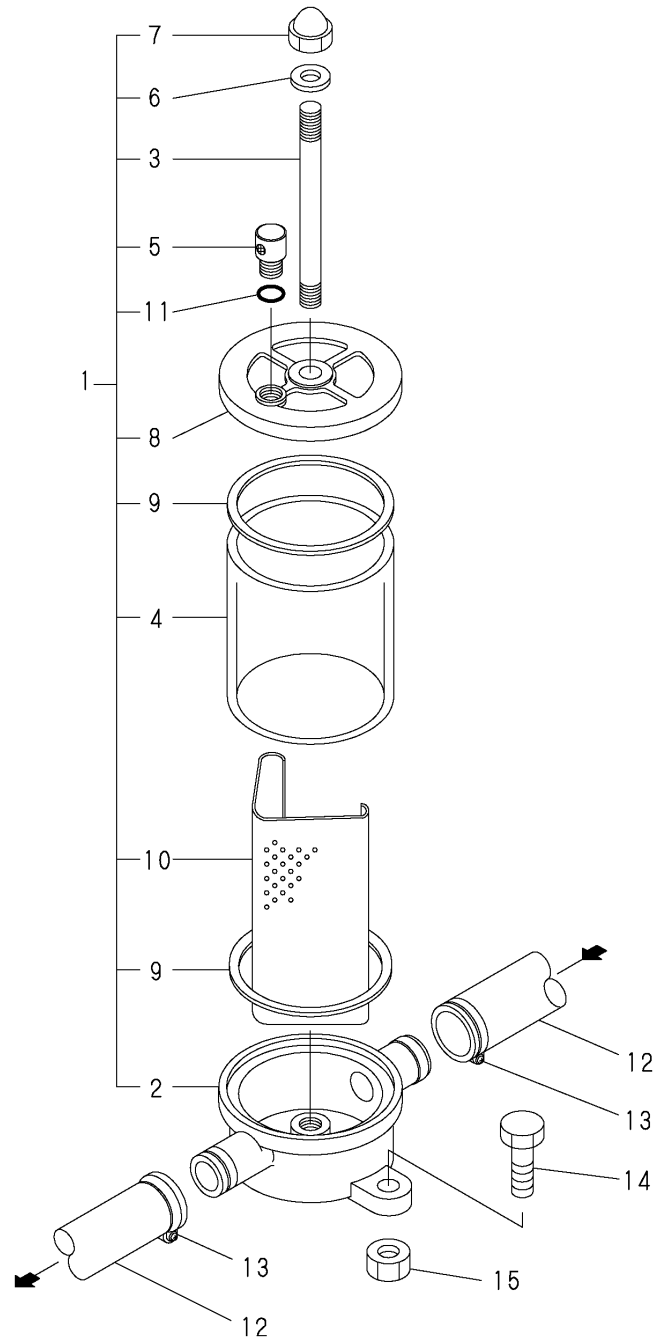
(A)=4JH3E  
(B)=4JH3CE  
(C)=4JH3CE1

(D)=4JH3-TE  
(E)=4JH3-TCE  
(F)=



No.	Lev.	Parts No.	Description	Q'ty						I	R
				(A)	(B)	(C)	(D)	(E)	(F)		
1	1	128695-44090	COCK	1	1		1				
1-1	1	129670-49290	COCK ASSY, R1/8	1	1	1	1	1			N
		(A=E/#21869) (B=E/#21869)	(D=E/#10333)								
2	1	129470-49200	JOINT, RUBBER	1	1	1	1				
2-1	1	129673-49220	PIPE, WATER	1	1	1	1	1			R
		(A=E/#22643) (B=E/#22643) (C=E/#22643) (D=E/#10799)									
3	1	129470-49220	RETAINER	1	1	1	1		1		
4	1	129470-49240	JOINT, RUBBER 28	1	1	1	1				
4-1	1	129673-49230	PIPE, WATER	1	1	1	1	1			R
		(A=E/#22643) (B=E/#22643) (C=E/#22643) (D=E/#10799)									
5	1	129470-49250	PIPE, WATER	1	1	1	1	1			
6	1	129470-49260	JOINT, RUBBER	1	1	1	1				
6-1	1	129671-49210	PIPE, WATER	1	1	1	1	1			R
		(A=E/#23803) (B=E/#23803) (C=E/#23803) (D=E/#11493)									
7	1	23000-041000	CLAMP, 41	6	6	6	6				
7-1	1	129670-49500	CLIP, HOSE 38	6	6	6	6	6			R
		(A=E/#23959) (B=E/#23959) (C=E/#23959) (D=E/#11597)									
8	1	127420-44560	PIPE, OVERFLOW L=740					1	1		
9	1	129474-49320	PIPE, WATER					1	1		
10	1	194440-51620	CLAMP					2	2		
11	1	23000-013000	CLAMP, 13					2	2		
12	1	23000-025000	CLAMP, 25					2	2		
13	1	104407-44480	JOINT					1	1		W
			(D=E/#10005)								

Fig.32. COOLING SEA WATER STRAINER(OPTIONAL)



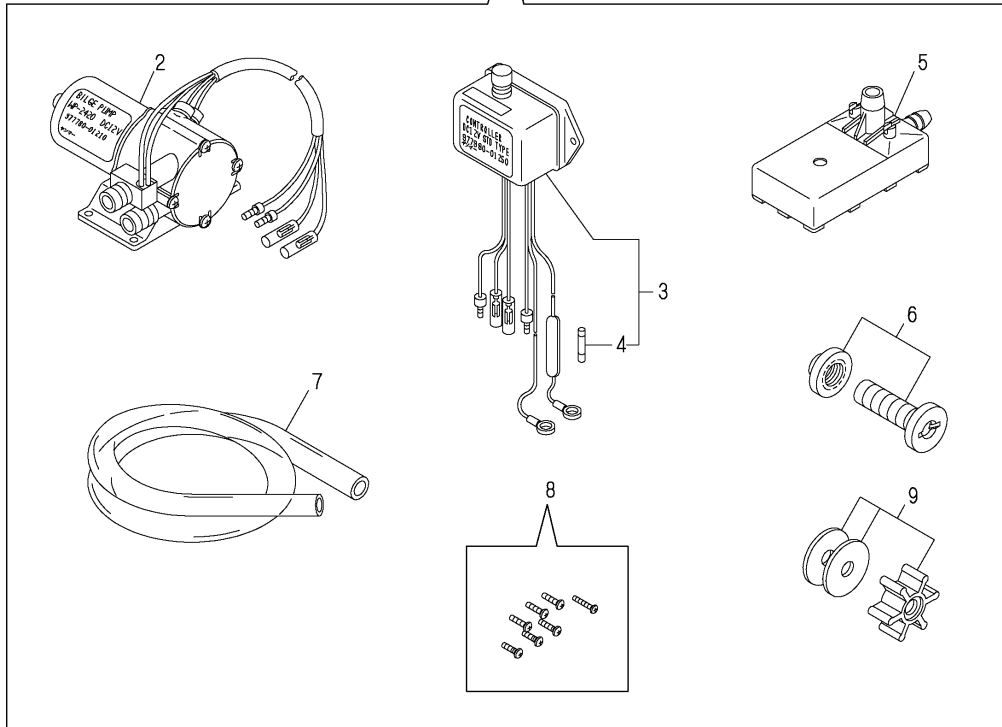
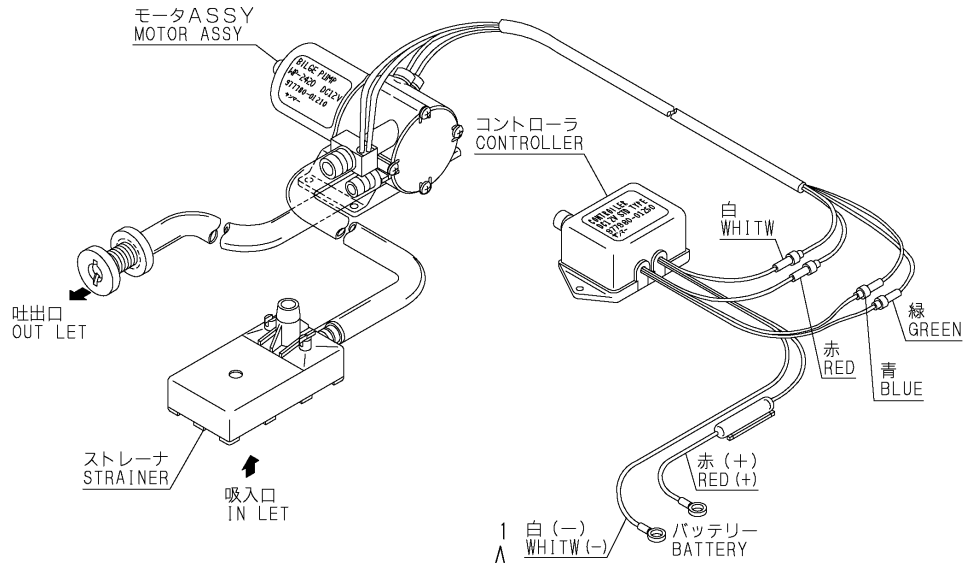
(A)=4JH3E  
(B)=4JH3CE  
(C)=4JH3CE1

(D)=4JH3-TE  
(E)=4JH3-TCE  
(F)=

No.	Lev.	Parts No.	Description	Q'ty						I	R
				(A)	(B)	(C)	(D)	(E)	(F)		
1	1	129795-48800	STRAINER	1	1	1	1	1			
2	2	XTST25S001	BODY	1	1	1	1	1			
3	2	XTST25S002	BOLT M 8X125	1	1	1	1	1			
4	2	XTST25S003	PIPE, OUTER	1	1	1	1	1			
5	2	XTST25S004	PLUG M 8	1	1	1	1	1			
6	2	XTST25S005	PACKING	1	1	1	1	1			
7	2	26664-080002	NUT, CAP M8	1	1	1	1	1			
8	2	XTST25S007	COVER	1	1	1	1	1			
9	2	XTST25S008	PACKING	2	2	2	2	2			
10	2	XTST25S009	FILTER	1	1	1	1	1			
11	2	24311-000060	O-RING, 1AP6.0	1	1	1	1	1			
12	1	23072-101000	HOSE, 10X1000	1	1	1	1	1			
13	1	23000-041000	CLAMP, 41	2	2	2	2	2			
13-1	1	129670-49500	CLIP, HOSE 38	2	2	2	2	2		R	
		(A=E/#23959)	(B=E/#23959)	(C=E/#23959)	(D=E/#11597)						
14	1	26116-080302	BOLT, M8X 30 PLATED	2	2	2	2	2			
15	1	26703-080002	NUT, M8	2	2	2	2	2			



Fig.33. BILGE PUMP(STD)

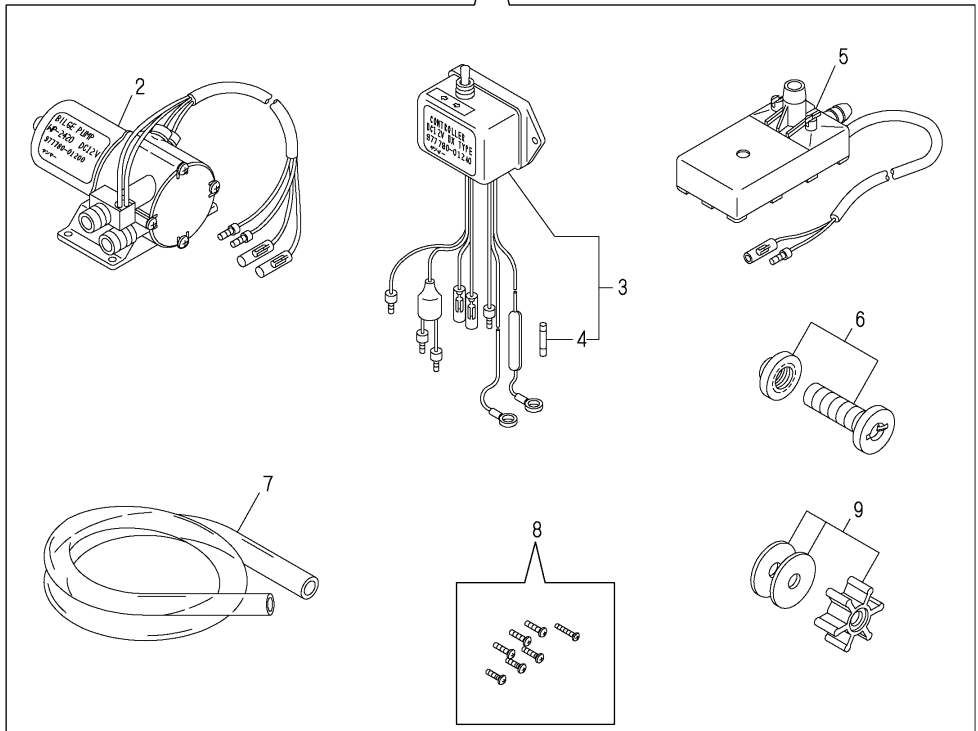
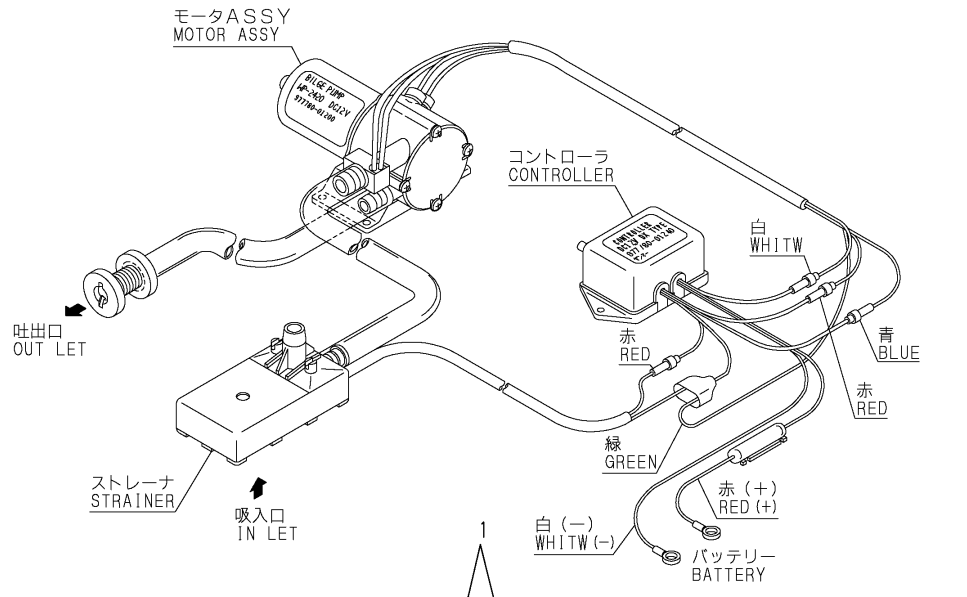


(A)=4JH3E  
(B)=4JH3CE  
(C)=4JH3CE1

(D)=4JH3-TE  
(E)=4JH3-TCE  
(F)=

No.	Lev.	Parts No.	Description	Q'ty						I	R
				(A)	(B)	(C)	(D)	(E)	(F)		
1	1	977780-01210	PUMP(12V).BILGE	1	1	1	1	1			
2	2	977780-01230	MOTOR ASSY(BILG PUMP	1	1	1	1	1			
3	2	977780-01250	CONTROLLER	1	1	1	1	1			
4	3	X8636008003	FUSE	1	1	1	1	1			
5	2	X179100021X	STRAINER	1	1	1	1	1			
6	2	X179100100X	PIPE ASSY	1	1	1	1	1			
7	2	X0044021509	HOSE A	1	1	1	1	1			
8	2	X199903800X	SCREW KIT	1	1	1	1	1			
9	2	977780-03000	INPELLER	1	1	1	1	1			

Fig.34. BILGE PUMP(DX)



(A)=4JH3E  
(B)=4JH3CE  
(C)=4JH3CE1

(D)=4JH3-TE  
(E)=4JH3-TCE  
(F)=

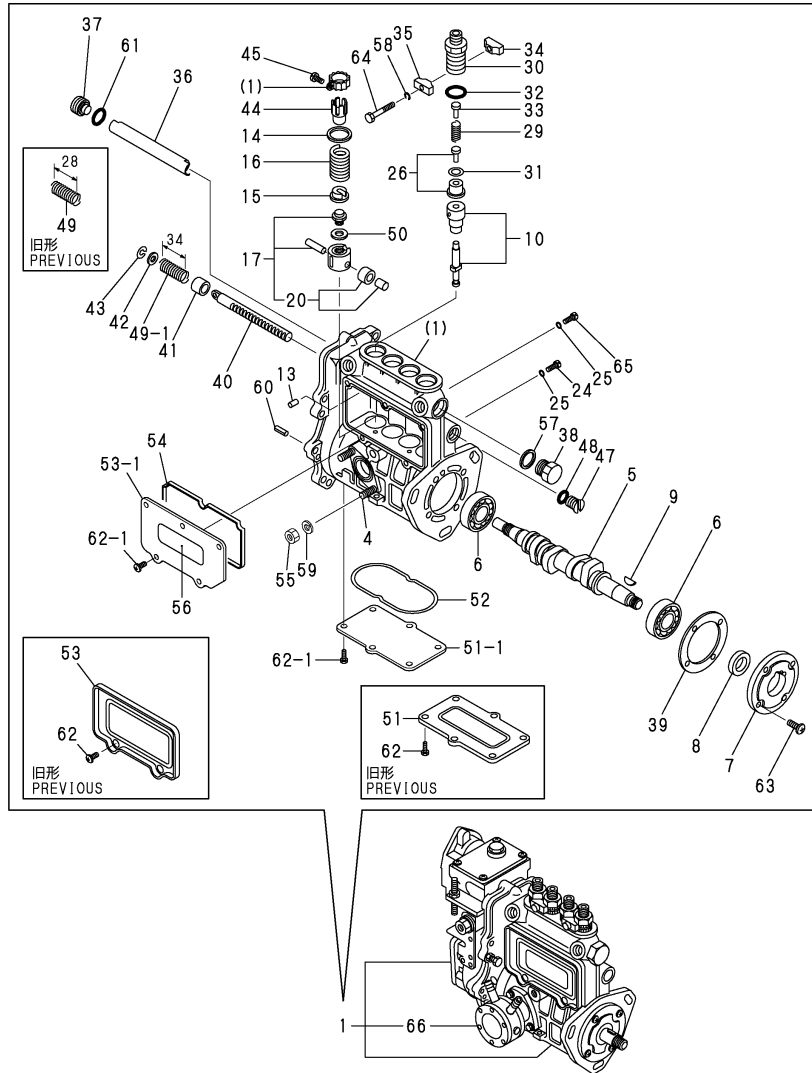
No.	Lev.	Parts No.	Description	Q'ty						I	R
				(A)	(B)	(C)	(D)	(E)	(F)		
1	1	977780-01200	PUMP(12V).BILGE	1	1	1	1	1			
2	2	977780-01230	MOTOR ASSY(BILG PUMP)	1	1	1	1	1			
3	2	977780-01240	CONTROLLER	1	1	1	1	1			
4	3	X8636008003	FUSE	1	1	1	1	1			
5	2	X179100011X	STRAINER	1	1	1	1	1			
6	2	X179100100X	PIPE ASSY	1	1	1	1	1			
7	2	X0044021509	HOSE A	1	1	1	1	1			
8	2	X199903800X	SCREW KIT	1	1	1	1	1			
9	2	977780-03000	INPELLER	1	1	1	1	1			

Fig.35. FUEL INJECTION PUMP(4JH3E)

(A)=4JH3E  
(B)=4JH3CE  
(C)=4JH3CE1

(D)=4JH3-TE  
(E)=4JH3-TCE  
(F)=

P/C NEWS No:Y00R4671-1  
PUBLISHED:2004/5

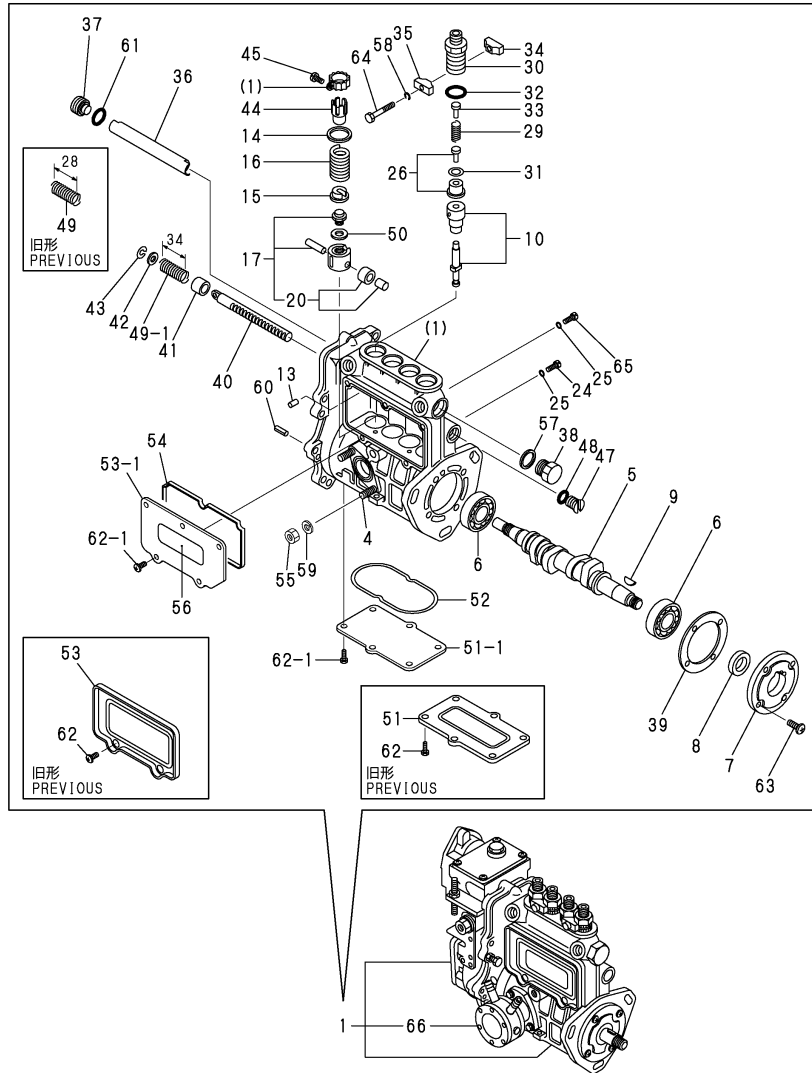


No.	Lev.	Parts No.	Description	Qty						I	R
				(A)	(B)	(C)	(D)	(E)	(F)		
1	1	729670-51300	PUMP ASSY, INJECTION	1	1	1					1
4	2	129155-51020	STUD	2	2	2					
5	2	129506-51040	CAMSHAFT	1	1	1					
6	2	122710-51050	BEARING, HR30203J	2	2	2					
7	2	129470-51060	RETAINER, BEARING	1	1	1					
8	2	129470-51080	SEAL, AF0741F0	1	1	1					
9	2	122710-51090	KEY	1	1	1					
10	2	129470-51101	PLUNGER ASSY	4	4	4					
13	2	129155-51140	PIN	4	4	4					
14	2	174307-51170	RETAINER, SPRING A	4	4	4					
15	2	129155-51180	RETAINER, SPRING	4	4	4					
16	2	124950-51190	SPRING, PLUNGER	4	4	4					
17	2	129155-51200	TAPPET ASSY	4	4	4					
20	3	711100-51540	ROLLER ASSY	4	4	4					
24	2	129155-51270	STOPPER, TAPPET	4	4	4					
25	2	129155-51280	O-RING, S6	5	5	5					
26	2	129670-51300	VALVE ASSY, DELIVERY	4	4	4					
29	2	129573-51330	SPRING, DELIVERY	4	4	4					
30	2	129573-51340	RETAINER	4	4	4					
31	2	124550-51350	GASKET, DELIVERY	4	4	4					
32	2	124550-51370	O-RING	4	4	4					
33	2	129573-51370	STOPPER, VALVE	4	4	4					
34	2	129155-51380	STOPPER	2	2	2					
35	2	129155-51390	STOPPER	2	2	2					
36	2	129555-51400	DEFLECTOR	1	1	1					
37	2	129155-51410	BOLT	1	1	1					
38	2	129155-51420	PLUG, M16	1	1	1					
39	2	129155-51450	SHIM SET, ADJUSTING	1	1	1					
40	2	129555-51500	RACK, CONTROL	1	1	1					
41	2	129155-51521	BUSH, RACK	1	1	1					
42	2	129155-51530	SPACER	1	1	1					
43	2	129155-51540	CIRCLIP	1	1	1					
44	2	129155-51550	PINION, CONTROL	4	4	4					
45	2	122117-51560	SCREW	4	4	4					
45-1	2	129100-51570	SCREW	4	4	4					N
		(A=E/#24410) (B=E/#24410) (C=E/#24410)									
47	2	129155-51570	PLUG, M12	1	1	1					
48	2	129155-51580	O-RING	1	1	1					
49	2	129155-51591	SPRING, RACK	1	1	1					
49-1	2	129190-51590	SPRING, RACK	1	1	1					N
		(A=*2003.12) (B=*2003.12) (C=*2003.12)									
50	2	129155-51600	SHIM SET, ADJUSTING	4	4	4					
51	2	129555-51700	COVER	1	1						
51-1	2	129555-51701	COVER	1	1	1					F 2
		(A=E/#21367) (B=E/#21367)									
52	2	129555-51710	GASKET	1	1	1					
52-1	2	129555-51711	GASKET	1	1	1					N
		(A=E/#23803) (B=E/#23803) (C=E/#23803)									
53	2	129555-51750	COVER	1	1						
53-1	2	129555-51751	COVER	1	1	1					F 2
		(A=E/#21367) (B=E/#21367)									

Remarks  
 (1)GOVERNOR ASSY(FIG.37) AND FUEL  
 FEED PUMP ASSY(FIG.38) IS  
 INCORPORATED IN THIS FOEL  
 INJECTION PUMP ASSY(REF.NO.1)  
 (2)INTERCHANGEABLE BY SIMULTANEOUS  
 REPLACEMENT WITH REF.NO.62-1.

Fig.35. FUEL INJECTION PUMP(4JH3E)

P/C NEWS No:Y00R4671-1  
PUBLISHED:2004/5



(A)=4JH3E  
(B)=4JH3CE  
(C)=4JH3CE1

(D)=4JH3-TE  
(E)=4JH3-TCE  
(F)=

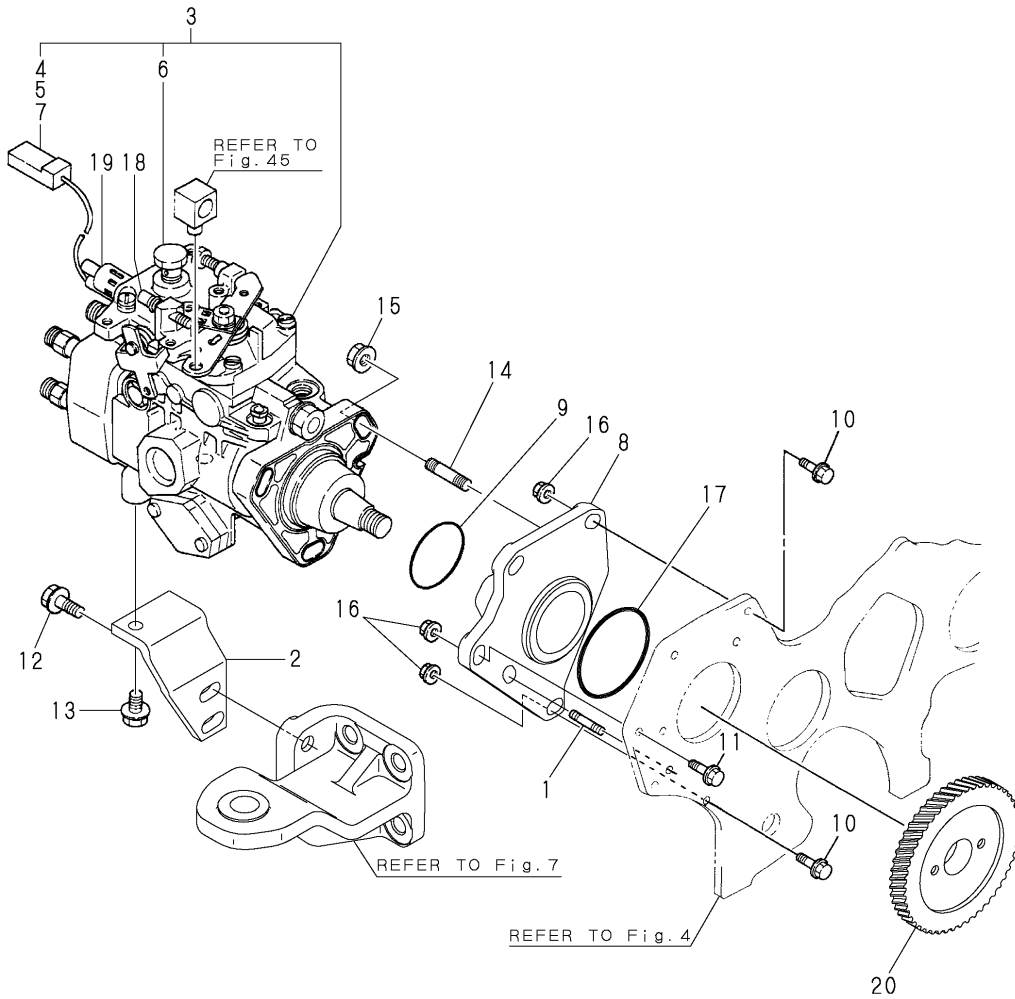
No.	Lev.	Parts No.	Description	Q'ty						I	R
				(A)	(B)	(C)	(D)	(E)	(F)		
54	2	129555-51760	GASKET	1	1	1					
54-1	2	129555-51761	GASKET	1	1	1					N
				(A=*2003.10)		(B=*2003.10)		(C=*2003.10)			
55	2	26716-060002	NUT, M6	2	2	2					
56	2	129156-51910	LABEL, CAUTION	1	1	1					
57	2	22190-160002	WASHER, SEAL 16	1	1	1					
58	2	22217-050000	WASHER, SPRING 5	2	2	2					
59	2	22217-060000	WASHER, SPRING 6	2	2	2					
60	2	22351-050010	PIN, SPRING 5.0X10	2	2	2					
61	2	24341-000160	O-RING, 1AS16.0	1	1	1					
62	2	26022-050102	SCREW, M5X10	11	11						
62-1	2	26022-050122	SCREW, M5X12	11	11	11					N
				(A=E/#21367)		(B=E/#21367)					
63	2	26022-060162	SCREW, M6X16	4	4	4					
64	2	26116-050302	BOLT, M5X 30 PLATED	2	2	2					
65	2	129155-51790	STOOPER, RACK	1	1	1					
66	2	129158-52000	PUMP ASSY, FUEL FEED	1	1	1					

Remarks  
(1)GOVERNOR ASSY(FIG.37) AND FUEL  
FEED PUMP ASSY(FIG.38) IS  
INCORPORATED IN THIS FOEL  
INJECTION PUMP ASSY(REF.NO.1)  
(2)INTERCHANGEABLE BY SIMULTANEOUS  
REPLACEMENT WITH REF.NO.62-1.

Fig.36. FUEL INJECTION PUMP(4JH3-TE)

(A)=4JH3E  
(B)=4JH3CE  
(C)=4JH3CE1

(D)=4JH3-TE  
(E)=4JH3-TCE  
(F)=



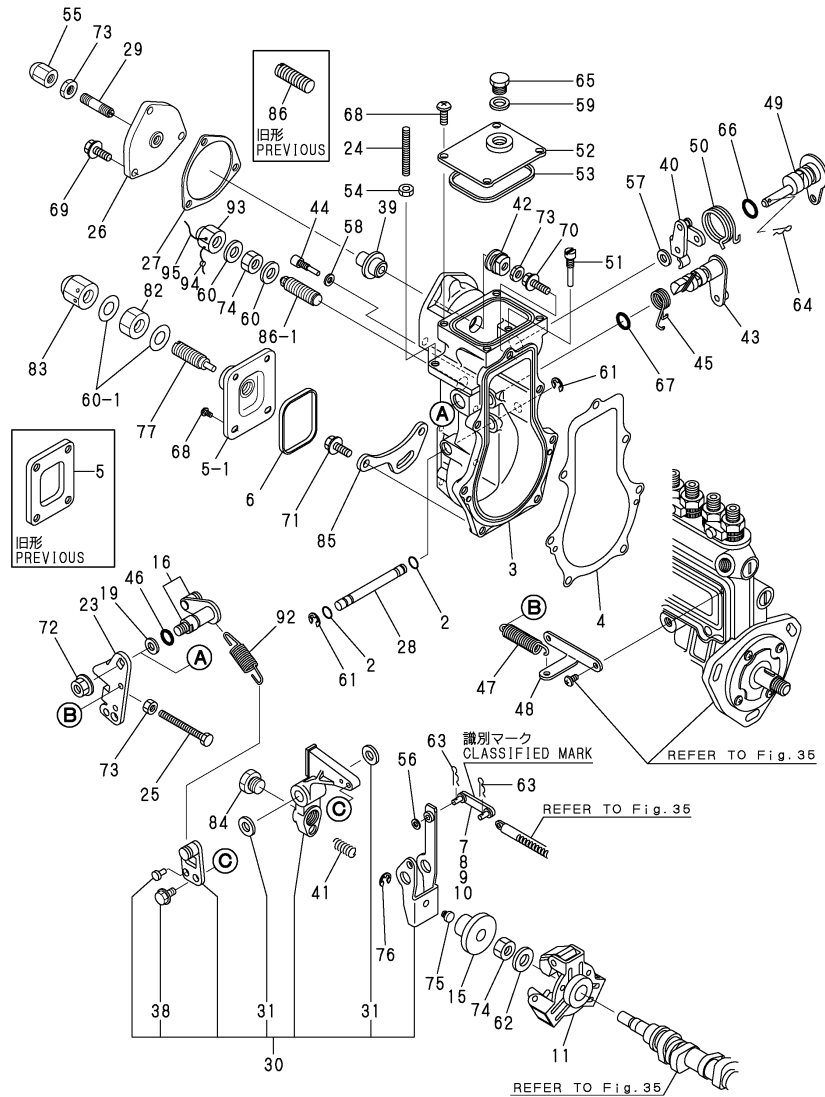
No.	Lev.	Parts No.	Description	Q'ty						I	R
				(A)	(B)	(C)	(D)	(E)	(F)		
1	1	121450-01560	STUD, M8X22				1	1			
2	1	129673-51250	RETAINER, PUMP				1	1			
3	1	129671-51900	PUMP ASSY, INJECTION				1	1			
4	2	119171-67200	SOLENOID, MAGNETIC				1	1			
5	2	129693-67210	SPRING				1	1			
6	2	119171-59200	BOLT, PIPE JOINT				1	1			
7	2	X1466584820	WIRE				1	1			
8	1	129673-54030	BRACKET, PUMP				1	1			
9	1	24341-000500	O-RING, 1AS50.0				1	1			
10	1	26106-080652	BOLT, M8X 65 PLATED				3	3			
11	1	26106-080752	BOLT, M8X 75 PLATED				1	1			
12	1	26106-100182	BOLT, M10X 18 PLATED				1	1			
13	1	26106-100222	BOLT, M10X 22 PLATED				2	2			
14	1	26216-080282	STUD, M8X 28				3	3			
15	1	26306-080002	NUT, M8				3	3			
16	1	26306-080002	NUT, M8				5	5			
17	1	121850-51960	O-RING				1	1			
18	1	129930-61950	CAP				1	1			W
19	1	129930-61960	CAP				1	1			W
20	1	129691-25900	GEAR, PUMP				1	1			

Fig.37. GOVERNOR

(A)=4JH3E  
(B)=4JH3CE  
(C)=4JH3CE1

(D)=4JH3-TE  
(E)=4JH3-TCE  
(F)=

P/C NEWS No:Y00R4671-1  
PUBLISHED:2004/5



No.	Lev.	Parts No.	Description	Q'ty						I	R
				(A)	(B)	(C)	(D)	(E)	(F)		
2	2	129155-51280	O-RING, S6	2	2	2					
3	2	129595-61012	HOUSING, GOVERNOR	1	1	1					
4	2	129595-61050	GASKET	1	1	1					
5	2	129155-61060	COVER, GOVERNOR CASE	1	1	1					
5-1	2	129690-61060	COVER, GOVERNOR CASE	1	1	1				F	2
				(A=*2004.04) (B=*2004.04) (C=*2004.04)							
6	2	129155-61070	GASKET	1	1	1					
6-1	2	129155-61071	GASKET	1	1	1					N
				(A=*2003.10) (B=*2003.10) (C=*2003.10)							
7	2	129155-61120	LINK, L=30 MARK 0	1	1	1					1
8	2	129155-61130	LINK, L=31 MARK 1	1	1	1					1
9	2	129155-61140	LINK, L=30.5 MARK 05	1	1	1					1
10	2	129155-61180	LINK, L=29 MARK 9	1	1	1					1
11	2	129595-61200	WEIGHT ASSY, GOVERNOR	1	1						
11-1	2	129595-61201	WEIGHT ASSY, GOVERNOR	1	1	1					R
				(A=E/#21367) (B=E/#21367)							
15	2	129155-61341	SLEEVE	1	1	1					
16	2	129100-61400	SHAFT ASSY	1	1	1					
19	2	129155-61430	SPACER	1	1	1					
23	2	129499-61440	LEVER, CONTROL	1	1	1					
24	2	129155-61450	BOLT, LIMITER	1	1	1					
25	2	129155-61460	BOLT, IDLE	1	1	1					
26	2	129497-61470	COVER, GOVERNOR CASE	1	1	1					
27	2	129497-61480	GASKET	1	1	1					
28	2	129155-61490	SHAFT	1	1	1					
29	2	129497-61490	ROD	1	1	1					
30	2	129131-61500	LEVER ASSY, GOVERNOR	1	1	1					
31	3	174307-51700	SHIM SET	2	2	2					
38	3	26106-060102	BOLT, M6X 10 PLATED	1	1	1					
39	2	129595-61610	BUSH	1	1	1					
40	2	129595-61631	LEVER, SETTING	1	1	1					
41	2	129470-61650	SPRING, FUEL CONTROL	1	1	1					
42	2	129595-61660	RING	1	1	1					
43	2	129595-61802	SHAFT, STOP LEVER	1	1	1					
44	2	129155-61810	PIN	1	1	1					
45	2	129595-61821	SPRING, RETURN	1	1	1					
46	2	129155-61830	O-RING, S10	1	1	1					
47	2	129499-61870	SPRING, RETURN	1	1	1					
48	2	129499-61890	HOOK	1	1	1					
49	2	129595-61901	LEVER	1	1	1					
50	2	129595-61911	SPRING, SET	1	1	1					
51	2	129595-61931	PIN	1	1	1					
52	2	129595-61951	COVER	1	1	1					
53	2	129595-61961	GASKET	1	1	1					
53-1	2	129595-61962	GASKET	1	1	1					N
				(A=*2003.10) (B=*2003.10) (C=*2003.10)							
54	2	124550-66370	NUT, M6	1	1	1					
55	2	119600-66840	NUT, CAP	1	1	1					
56	2	22117-040000	WASHER, 4	1	1	1					
57	2	22117-060000	WASHER, 6	1	1	1					
58	2	22190-060002	WASHER, SEAL 6	4	4	4					

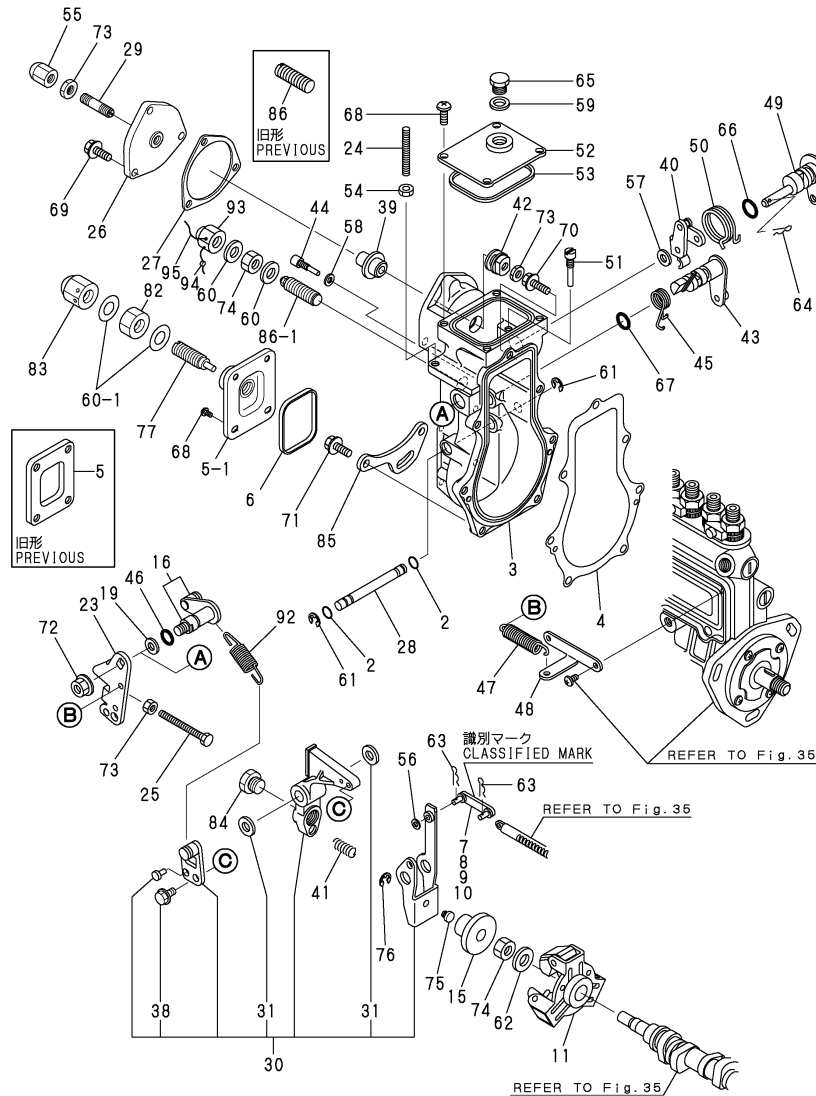
Remarks  
(1)SELECTIVE PART: CERTAIN THE CLASSIFICATION MARK WHEN PLACE YOUR ORDER.(REFER TO THE ILLUSTRATION)  
(2)INTERCHANGEABLE BY SIMULTANEOUS REPLACEMENT WITH REF.NO.5-1,60-1, 77,82,83,84.

Fig.37. GOVERNOR

(A)=4JH3E  
(B)=4JH3CE  
(C)=4JH3CE1

(D)=4JH3-TE  
(E)=4JH3-TCE  
(F)=

P/C NEWS No:Y00R4671-1  
PUBLISHED:2004/5



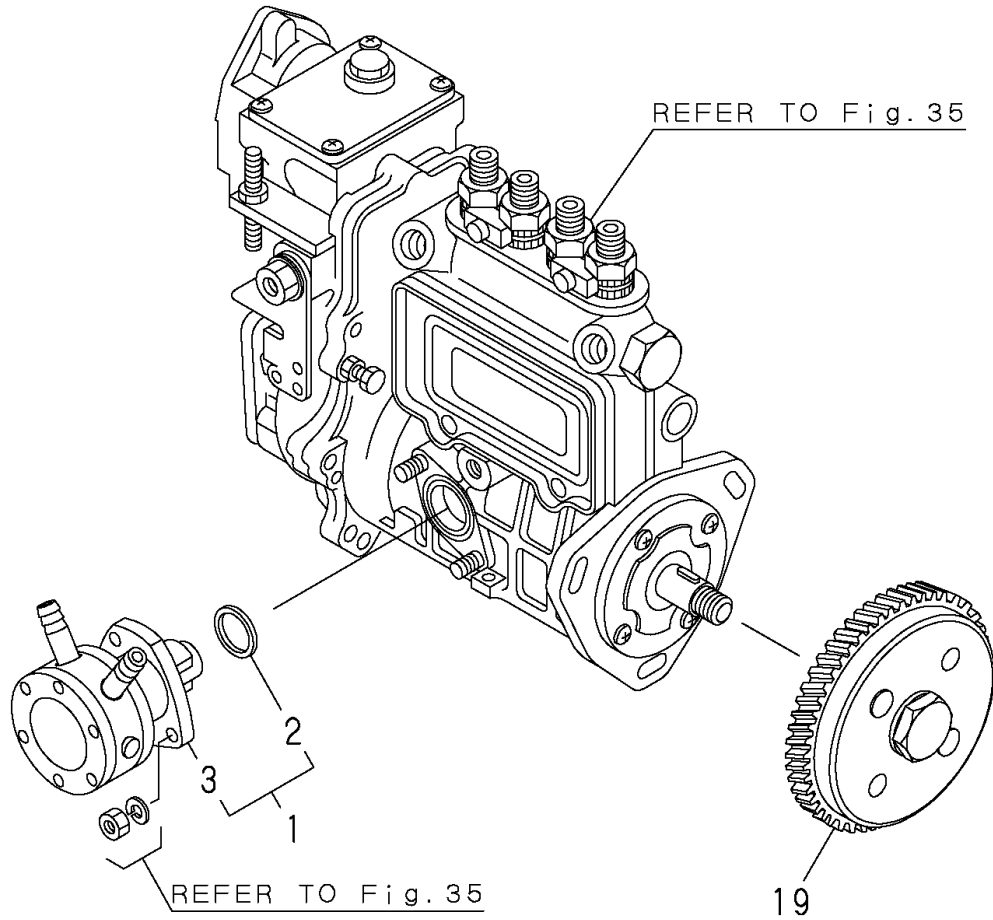
No.	Lev.	Parts No.	Description	Q'ty						I	R
				(A)	(B)	(C)	(D)	(E)	(F)		
59	2	22190-100002	WASHER, SEAL 10	1	1	1					
60	2	22190-120002	WASHER, SEAL 12	2	2	2					
60-1	2	22190-120002	WASHER, SEAL 12	4	4	4					K
(A=*2004.04) (B=*2004.04) (C=*2004.04)											
61	2	22272-000060	RING, E- 6	2	2	2					
62	2	22287-120000	WASHER, 12	1	1	1					
63	2	22372-040000	PIN, SNAP 4	2	2	2					
64	2	22372-060000	PIN, SNAP 6	1	1	1					
65	2	23887-100002	PLUG, 10	1	1	1					
66	2	24311-000110	O-RING, 1AP11.0	1	1	1					
67	2	24311-240100	O-RING, 1AP10A	1	1	1					
68	2	26022-050102	SCREW, M5X10	8	8	8					
69	2	26106-060102	BOLT, M6X 10 PLATED	3	3	3					
70	2	26106-060182	BOLT, M6X 18 PLATED	1	1	1					
71	2	26106-060202	BOLT, M6X 20 PLATED	6	6	6					
72	2	26366-080002	NUT, M8	1	1	1					
73	2	26756-060002	NUT, LOCK M6	3	3	3					
74	2	26776-120002	NUT, LOCK M12	2	2	2					
75	2	129155-61540	SHIFTER	1	1	1					
76	2	22272-000040	RING, E- 4	1	1	1					
77	2	127692-61550	IDLE	1	1	1					W 2
(A=*2004.04) (B=*2004.04) (C=*2004.04)											
82	2	26777-120002	NUT, LOCK M12	1	1	1					W 2
(A=*2004.04) (B=*2004.04) (C=*2004.04)											
83	2	129100-61930	NUT, CAP	1	1	1					W 2
(A=*2004.04) (B=*2004.04) (C=*2004.04)											
84	2	129470-61590	PLUG	1	1	1					W 2
(A=*2004.04) (B=*2004.04) (C=*2004.04)											
85	1	129595-61080	SUPPORT	1	1	1					
86	1	129155-61470	BOLT, CONTROL	1	1						
86-1	1	129497-61450	LIMITER ASSY, FUEL	1	1	1					S
(A=E/#20550) (B=E/#20550)											
92	1	129100-61730	SPRING, GOVERNOR	1	1	1					
93	1	129100-61930	NUT, CAP	1	1	1					
94	1	135210-61090	LEAD	1	1	1					
95	1	22453-060000	WIRE, 0.6	1	1	1					
95-1	1	120325-61100	WIRE, 1.0	1	1	1					N
(A=E/#25748) (B=E/#25748) (C=E/#25748)											

Remarks  
 (1)SELECTIVE PART: CERTAIN THE CLASSIFICATION MARK WHEN PLACE YOUR ORDER.(REFER TO THE ILLUSTRATION)  
 (2)INTERCHANGEABLE BY SIMULTANEOUS REPLACEMENT WITH REF.NO.5-1,60-1,77,82,83,84.

Fig.38. FUEL FEED PUMP & TIMER

(A)=4JH3E  
(B)=4JH3CE  
(C)=4JH3CE1

(D)=4JH3-TE  
(E)=4JH3-TCE  
(F)=



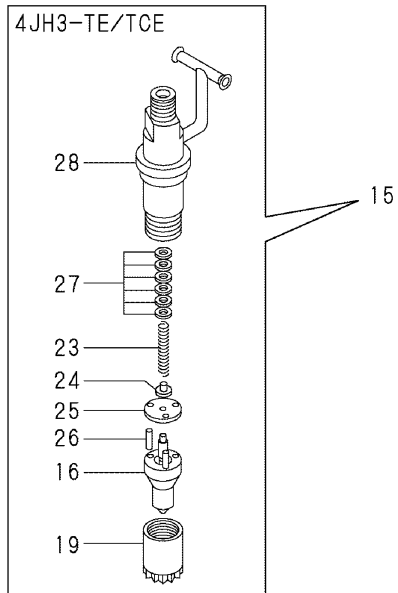
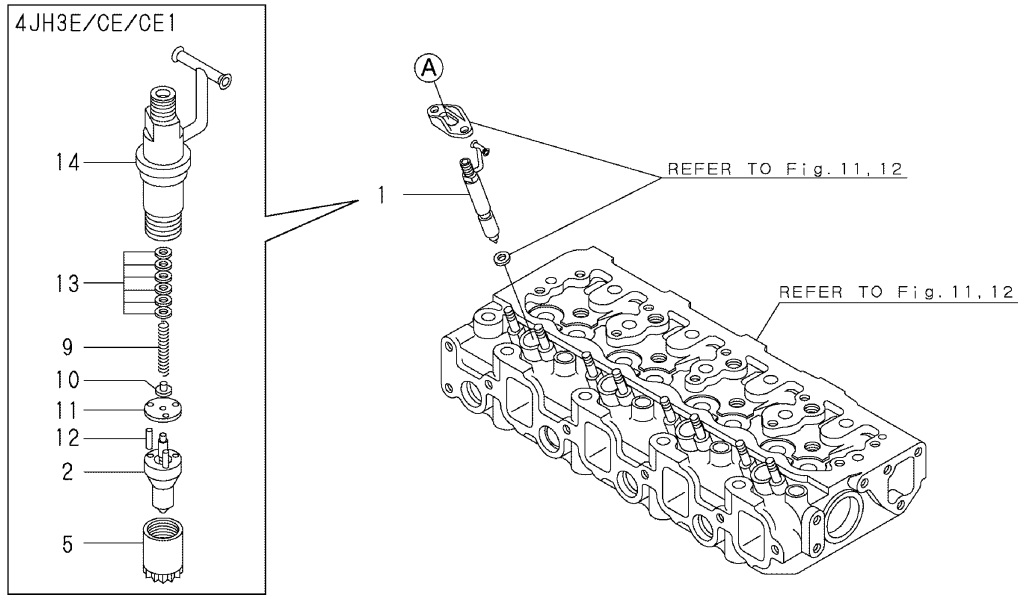
No.	Lev.	Parts No.	Description	Q'ty						I	R
				(A)	(B)	(C)	(D)	(E)	(F)		
1	1	129158-52000	PUMP ASSY, FUEL FEED	1	1	1					
2	2	129155-52050	GASKET	1	1	1					
3	2	129158-52100	PUMP ASSY, FUEL FEED	1	1	1					
19	1	729499-54100	TIMER ASSY	1	1	1					



Fig.39. FUEL INJECTION VALVE

(A)=4JH3E  
(B)=4JH3CE  
(C)=4JH3CE1

(D)=4JH3-TE  
(E)=4JH3-TCE  
(F)=



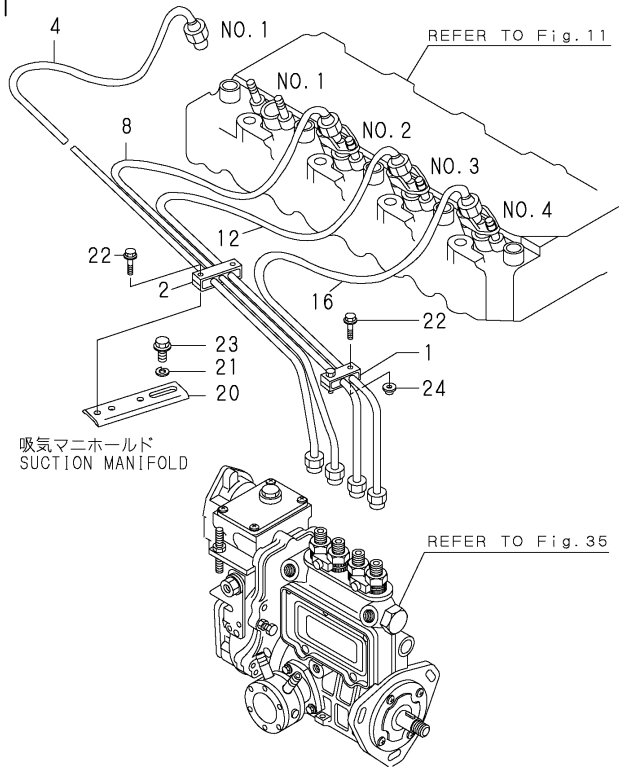
No.	Lev.	Parts No.	Description	Q'ty						I	R
				(A)	(B)	(C)	(D)	(E)	(F)		
1	1	729670-53100	VALVE ASSY,INJECTION	4	4	4					
2	2	129468-53000	VALVE ASSY,INJECTION	4	4	4					
5	2	114250-53080	NUT, NOZZLE D16.95	4	4	4					
9	2	114250-53120	SPRING, NOZZLE	4	4	4					
10	2	114250-53130	SEAT, SPRING	4	4	4					
11	2	114250-53140	PLATE	4	4	4					
12	2	114250-53210	PIN	8	8	8					
13	2	114250-53400	SHIM SET	4	4	4					
14	2	129470-11920	GASKET	4	4	4					
15	1	729671-53100	VALVE ASSY,INJECTION						4		
15-1	1	729671-53101	VALVE ASSY,INJECTION (D=E/#10799)						4	4	N
16	2	129671-53000	VALVE ASSY,INJECTION						4		
16-1	2	129671-53001	VALVE ASSY,INJECTION (D=E/#10799)						4	4	N
19	2	114250-53080	NUT, NOZZLE D16.95						4	4	
23	2	114250-53120	SPRING, NOZZLE						4	4	
24	2	114250-53130	SEAT, SPRING						4	4	
25	2	114250-53140	PLATE						4	4	
26	2	114250-53210	PIN						8	8	
27	2	114250-53400	SHIM SET						4	4	
28	2	129470-11920	GASKET						4	4	

Fig.40. FUEL INJECTION PIPE

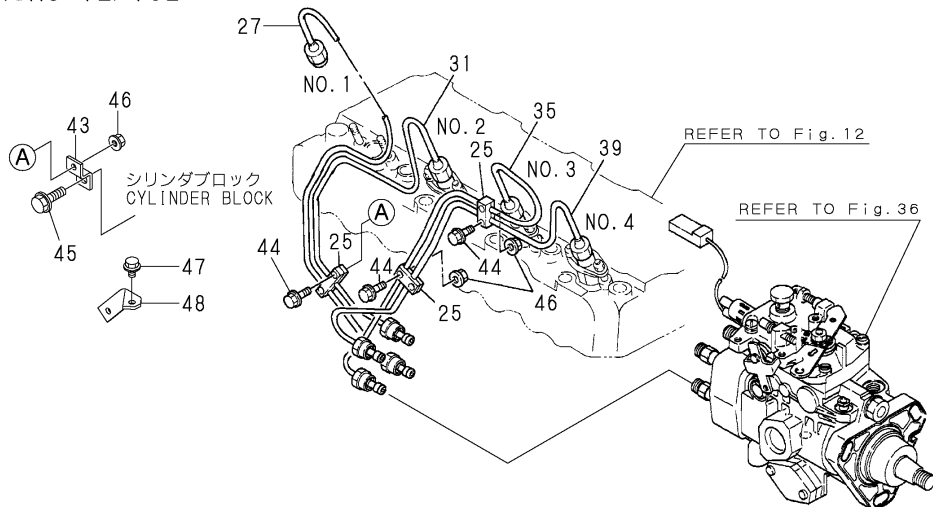
(A)=4JH3E  
(B)=4JH3CE  
(C)=4JH3CE1

(D)=4JH3-TE  
(E)=4JH3-TCE  
(F)=

4JH3E/CE/CE1



4JH3-TE/TCE

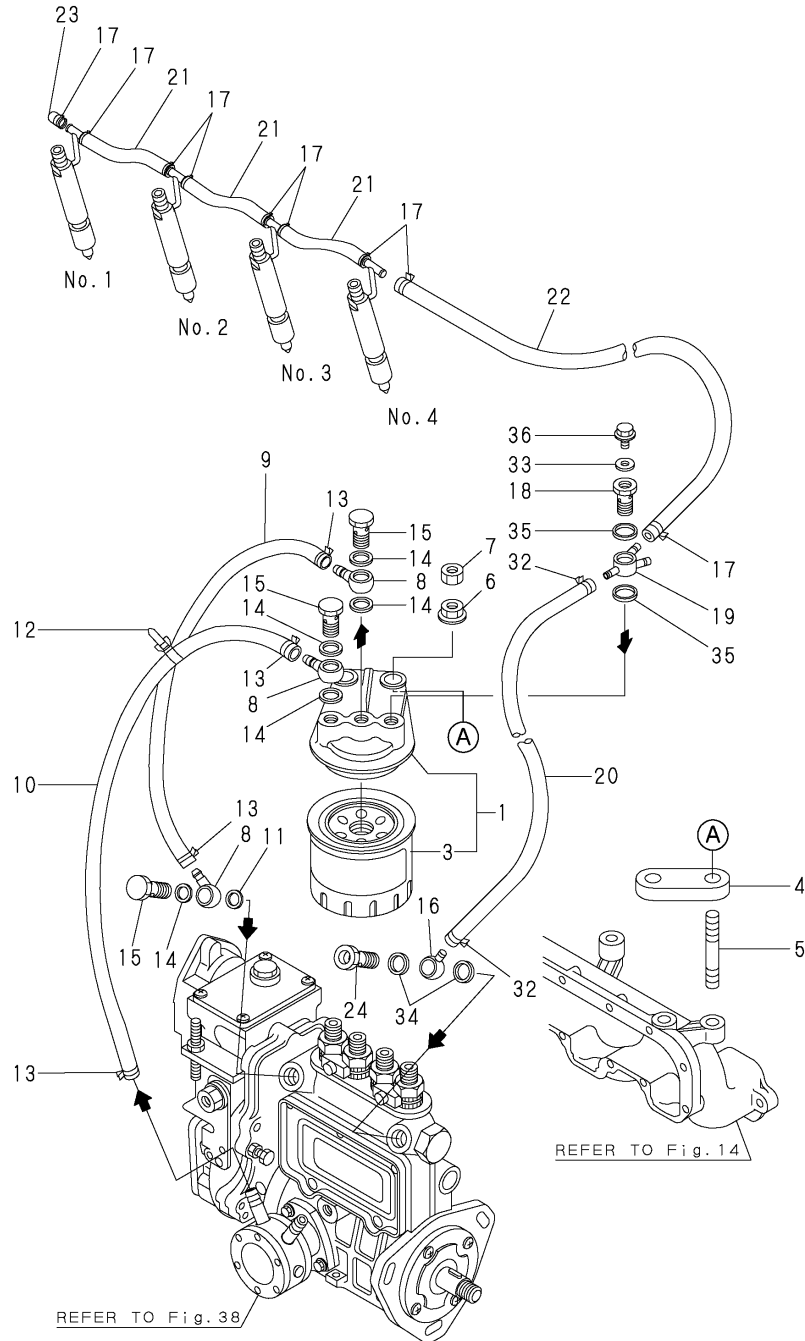


No.	Lev.	Parts No.	Description	Qty						I	R
				(A)	(B)	(C)	(D)	(E)	(F)		
1	1	122780-59100	RETAINER	2	2	2					
2	1	123372-59100	RETAINER, PIPE	2	2	2					
4	1	129499-59812	PIPE ASSY, INJECTION	1	1	1					
8	1	129499-59822	PIPE ASSY, INJECTION	1	1	1					
12	1	129499-59832	PIPE ASSY, INJECTION	1	1	1					
16	1	129499-59842	PIPE ASSY, INJECTION	1	1	1					
20	1	121870-59930	STAY	1	1	1					
21	1	22217-080000	WASHER, SPRING 8	1	1	1					
22	1	26106-060202	BOLT, M6X 20 PLATED	4	4	4					
23	1	26106-080202	BOLT, M8X 20 PLATED	1	1	1					
24	1	26366-060002	NUT, M6	2	2	2					
25	1	122780-59100	RETAINER						6		
25-1	1	122780-59100	RETAINER						4	4	K
			(D=E/#10223)								
27	1	129693-59810	PIPE ASSY, INJECTION						1		
27-1	1	129693-59811	PIPE ASSY, INJECTION						1	1	N
			(D=E/#10399)								
31	1	129693-59820	PIPE ASSY, INJECTION						1		
31-1	1	129693-59821	PIPE ASSY, INJECTION						1	1	N
			(D=E/#10399)								
35	1	129693-59830	PIPE ASSY, INJECTION						1	1	
39	1	129693-59840	PIPE ASSY, INJECTION						1	1	
43	1	129574-59950	SUPPORT						1	1	
44	1	26106-060202	BOLT, M6X 20 PLATED						6		
44-1	1	26106-060202	BOLT, M6X 20 PLATED						4	4	K
			(D=E/#10223)								
45	1	26106-080122	BOLT, M8X 12 PLATED						1	1	
46	1	26366-060002	NUT, M6						5		
46-1	1	26366-060002	NUT, M6						4		K
			(D=E/#10223)								
46-2	1	26366-060002	NUT, M6						6	6	K
			(D=E/#10223)								
47	1	26106-060102	BOLT, M6X 10 PLATED						1	1	W
			(D=E/#10017)								
48	1	129673-59950	RETAINER, PIPE						1	1	W
			(D=E/#10017)								

Fig.41. FUEL PIPE(4JH3E)

(A)=4JH3E  
(B)=4JH3CE  
(C)=4JH3CE1

(D)=4JH3-TE  
(E)=4JH3-TCE  
(F)=



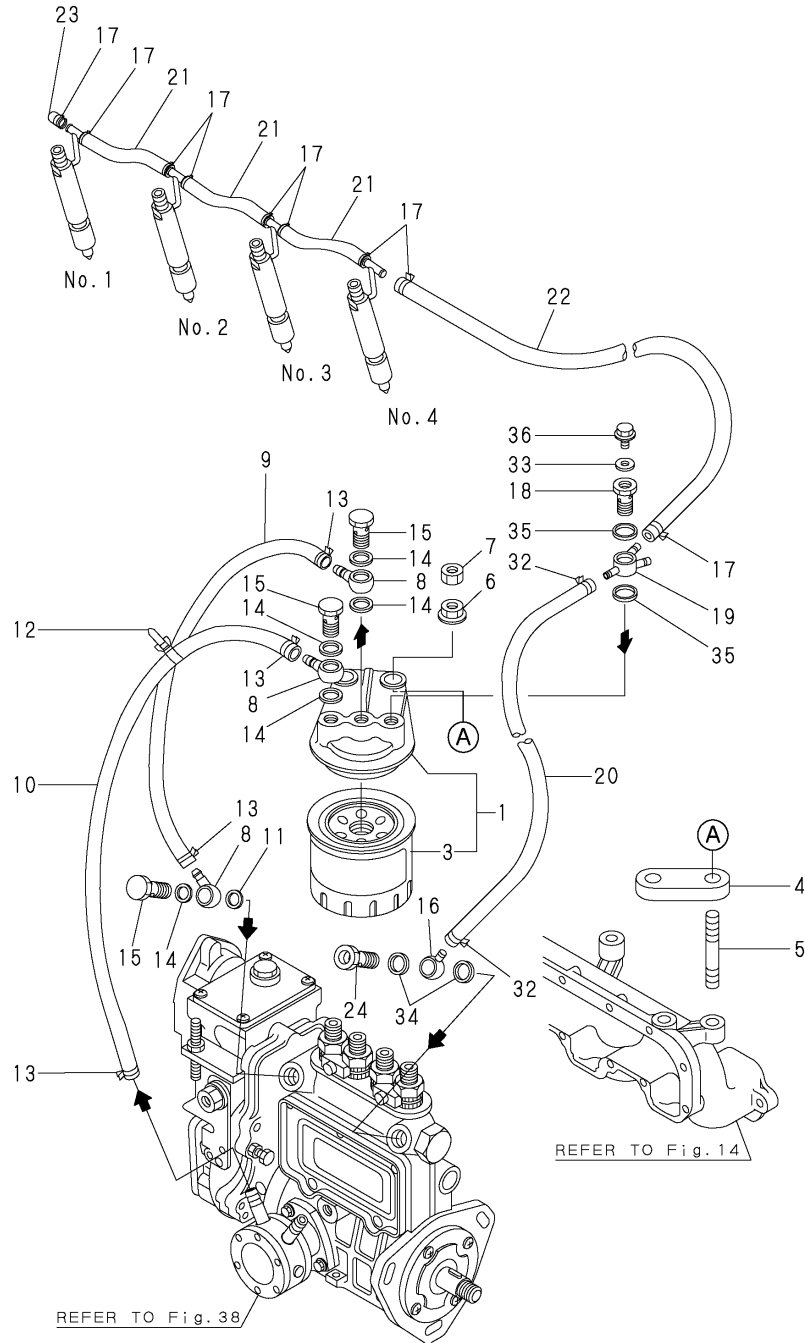
No.	Lev.	Parts No.	Description	Qty						I	R
				(A)	(B)	(C)	(D)	(E)	(F)		
1	1	129470-55601	FILTER ASSY, FUEL	1	1	1					
3	2	129470-55701	STRAINER ASSY, FUEL	1	1	1					
4	1	119173-55700	RUBBER	1	1	1					
5	1	26216-100452	STUD, M10X 45	2	2	2					
6	1	26306-100002	NUT, M10	2	2	2					
7	1	26716-100002	NUT, M10	2	2	2					
8	1	101304-59020	JOINT, PIPE 12	3	3	3					
9	1	129470-59120	PIPE, FUEL	1	1						
9-1	1	129470-59121	PIPE, FUEL	1	1						N
		(A=E/#21010) (B=E/#21010)									
9-2	1	129470-59122	PIPE, FUEL	1	1	1					R
		(A=E/#21367) (B=E/#21367)									
10	1	129470-59120	PIPE, FUEL	1	1						
10-1	1	129570-59120	PIPE, FUEL	1	1						N
		(A=E/#21010) (B=E/#21010)									
10-2	1	129570-59121	PIPE, FUEL	1	1	1					R
		(A=E/#21367) (B=E/#21367)									
11	1	104200-59170	GASKET, 12	1	1	1					
12	1	121750-59890	BAND, 140	1	1	1					
13	1	23080-013000	CLAMP, 13	4	4						
13-1	1	23000-019000	CLAMP, 19	4	4						N
		(A=E/#21010) (B=E/#21010)									
13-2	1	23000-016000	CLAMP, 16	4	4	4					N
		(A=E/#21367) (B=E/#21367)									
14	1	23414-120000	GASKET, 12X1.0	5	5						
14-1	1	22190-120002	WASHER, SEAL 12	5	5	5					N
		(A=E/#22733) (B=E/#22733) (C=E/#22733)									
15	1	23857-060000	BOLT, JOINT 6	3	3	3					
16	1	101304-59020	JOINT, PIPE 12	1	1	1					
17	1	124066-59100	CLIP, HOSE 8	7	7						
17-1	1	23000-016000	CLAMP, 16	7	7						N
		(A=E/#21010) (B=E/#21010)									
17-2	1	23000-013000	CLAMP, 13	7	7	7					N
		(A=E/#21367) (B=E/#21367)									
18	1	129495-59300	BOLT, PIPE JOINT	1	1	1					
19	1	129470-59530	JOINT, PIPE	1	1	1					
20	1	129470-59540	PIPE, FUEL	1	1						
20-1	1	129470-59541	PIPE, FUEL	1	1						N
		(A=E/#21010) (B=E/#21010)									
20-2	1	129470-59542	PIPE, FUEL	1	1	1					R
		(A=E/#21367) (B=E/#21367)									
21	1	119000-59550	PIPE, FUEL RETURN	3	3						
21-1	1	129495-59552	PIPE, FUEL	3	3						N
		(A=E/#21010) (B=E/#21010)									
21-2	1	129495-59553	PIPE, FUEL	3	3						R
		(A=E/#21367) (B=E/#21367)									
21-3	1	129270-59550	PIPE, FUEL	3	3	3					R
		(A=E/#21459) (B=E/#21459)									
22	1	129470-59560	PIPE, FUEL RETURN	1	1						
22-1	1	129470-59561	PIPE, FUEL	1	1						N
		(A=E/#21010) (B=E/#21010)									

N:Old  $\begin{matrix} \text{Yes} \\ \text{No} \end{matrix}$  New, Q:Old  $\begin{matrix} \text{No} \\ \text{Yes} \end{matrix}$  New, R:Old  $\begin{matrix} \text{Yes} \\ \text{No} \end{matrix}$  New, S:Old  $\begin{matrix} \text{No} \\ \text{Yes} \end{matrix}$  New, W:Add, Z:Discontinued, F:Interchangeable by set, K:Q'ty Change  
 ++ CONTINUE ++  
 Copyright (C) YANMAR CO., LTD. All Rights Reserved.

Fig.41. FUEL PIPE(4JH3E)

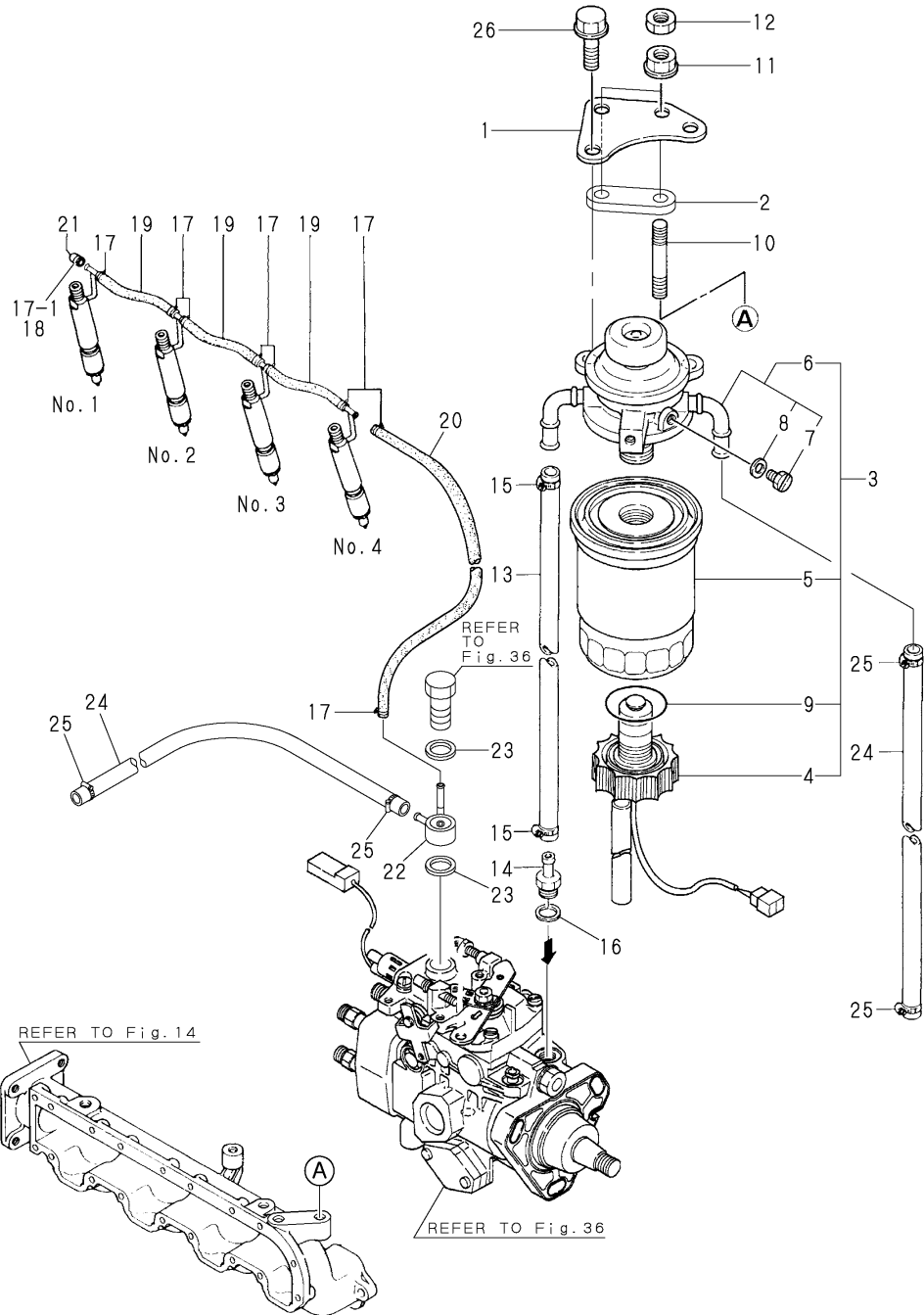
(A)=4JH3E  
(B)=4JH3CE  
(C)=4JH3CE1

(D)=4JH3-TE  
(E)=4JH3-TCE  
(F)=



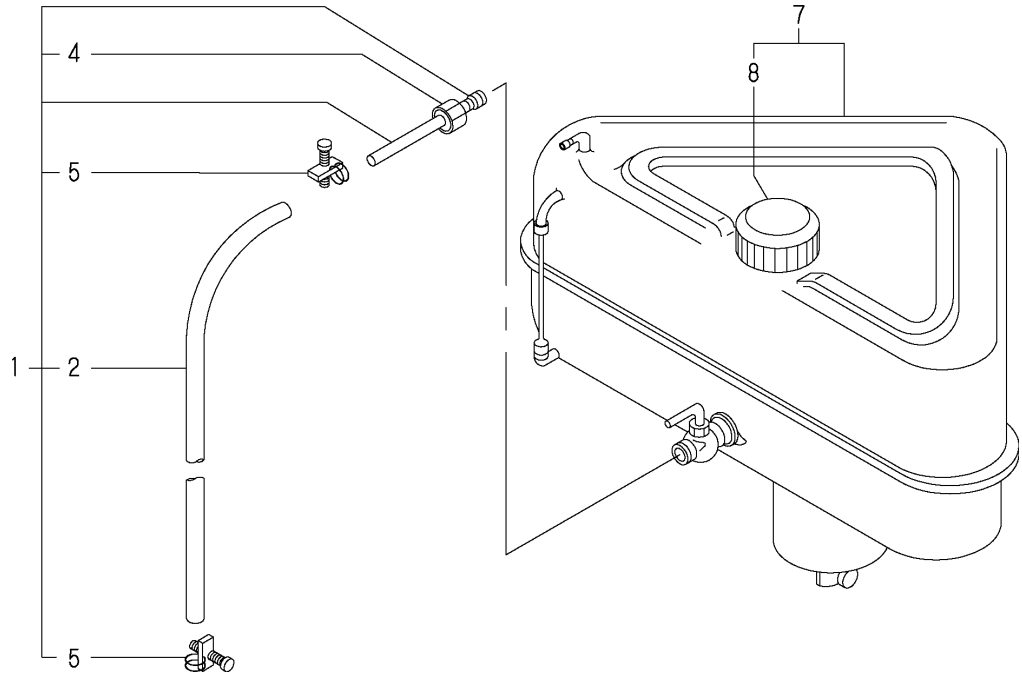
No.	Lev.	Parts No.	Description	Q'ty						I	R
				(A)	(B)	(C)	(D)	(E)	(F)		
22-2	1	129470-59562	PIPE, FUEL	1	1	1					R
		(A=E/#21367) (B=E/#21367)									
23	1	129150-59580	CAP	1	1						
23-1	1	119593-59580	CAP	1	1						N
		(A=E/#21010) (B=E/#21010)									
23-2	1	129270-59580	CAP	1	1	1					N
		(A=E/#21367) (B=E/#21367)									
24	1	129100-59951	VALVE ASSY, CHECK	1	1	1					
32	1	23080-013000	CLAMP, 13	2	2						
32-1	1	23000-019000	CLAMP, 19	2	2						N
		(A=E/#21010) (B=E/#21010)									
32-2	1	23000-016000	CLAMP, 16	2	2	2					N
		(A=E/#21367) (B=E/#21367)									
33	1	23414-080000	GASKET, 8X1.0	1	1	1					
33-1	1	22190-080002	WASHER, SEAL 6	1	1	1					N
		(A=E/#22733) (B=E/#22733) (C=E/#22733)									
34	1	23414-120000	GASKET, 12X1.0	2	2	2					
34-1	1	22190-120002	WASHER, SEAL 12	2	2	2					N
		(A=E/#22733) (B=E/#22733) (C=E/#22733)									
35	1	23414-140000	GASKET, 14X1.0	2	2	2					
35-1	1	22190-140002	WASHER, SEAL 14	2	2	2					N
		(A=E/#22733) (B=E/#22733) (C=E/#22733)									
36	1	26106-080102	BOLT, M8X 10 PLATED	1	1	1					

Fig.42. FUEL PIPE(4JH3-TE)



No.	Lev.	Parts No.	Description	Q'ty						I	R
				(A)	(B)	(C)	(D)	(E)	(F)		
1	1	129673-55650	BRACKET, FILTER				2	2			
2	1	119173-55700	RUBBER				1	1			
3	1	129574-55800	STRAINER ASSY, FUEL				1	1			
4	2	129574-55730	SENSOR				1	1			
5	2	129574-55710	FILTER, FUEL				1				
5-1	2	129574-55711	FILTER, FUEL				1	1			N
			(D=E/#11148)								
6	2	129574-55700	BODY ASSY				1	1			
7	3	121857-55750	PLUG				1	1			
8	3	121857-55760	WASHER				1	1			
9	2	129574-55780	O-RING				1	1			W
			(D=FROM 1ST)								
10	1	26216-100352	STUD, M10X 35				2	2			
11	1	26306-100002	NUT, M10				2	2			
12	1	26716-100002	NUT, M10				2	2			
13	1	129470-59540	PIPE, FUEL				1				
13-1	1	129673-59121	PIPE, FUEL				1	1			N
			(D=E/#10216)								
14	1	119171-59910	JOINT, PIPE				1	1			
15	1	23080-013000	CLAMP, 13				2				
15-1	1	23000-016000	CLAMP, 16				2	2			N
			(D=E/#10216)								
16	1	23414-120000	GASKET, 12X1.0				1				
16-1	1	22190-120002	WASHER, SEAL 12				1	1			N
			(D=E/#10829)								
17	1	124722-59050	CLIP, HOSE 9				8				
17-1	1	23000-013000	CLAMP, 13				9	9			N
			(D=E/#10216)								
18	1	119593-59590	BAND				1				Z
			(D=E/#10216)								
19	1	129495-59551	PIPE, FUEL RETURN				3				
19-1	1	129495-59553	PIPE, FUEL				3				N
			(D=E/#10216)								
19-2	1	129270-59550	PIPE, FUEL				3	3			R
			(D=E/#10223)								
20	1	129693-59560	PIPE, FUEL RETURN				1				
20-1	1	129693-59562	PIPE, FUEL				1	1			N
			(D=E/#10216)								
21	1	119593-59580	CAP				1				
21-1	1	129270-59580	CAP				1	1			N
			(D=E/#10216)								
22	1	129574-59990	JOINT, PIPE				1	1			
23	1	23414-120000	GASKET, 12X1.0				2				
23-1	1	22190-120002	WASHER, SEAL 12				2	2			N
			(D=E/#10829)								
24	1	129795-59100	PIPE, FUEL L=4000				1	1			
25	1	23000-016000	CLAMP, 16				4	4			
26	1	26106-080252	BOLT, M8X 25 PLATED				2	2			

Fig.43. FUEL TANK



(A)=4JH3E  
(B)=4JH3CE  
(C)=4JH3CE1

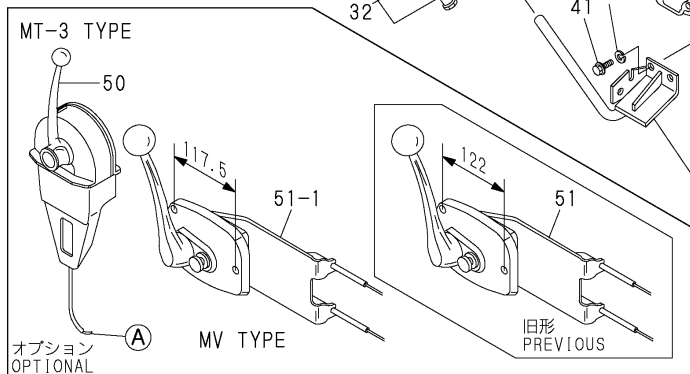
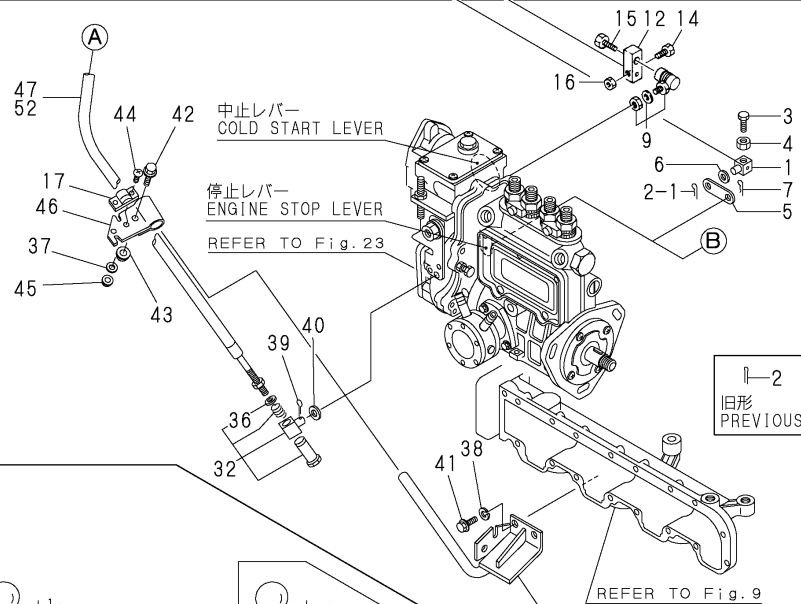
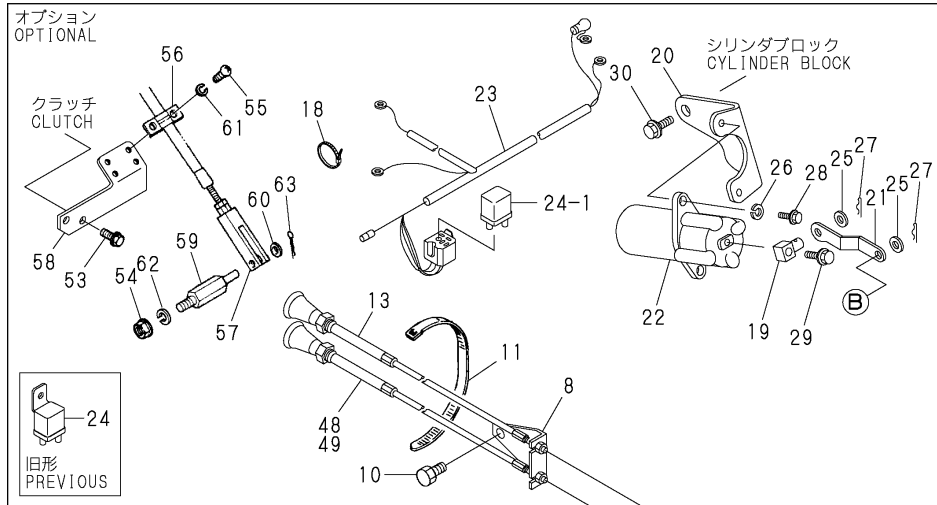
(D)=4JH3-TE  
(E)=4JH3-TCE  
(F)=

No.	Lev.	Parts No.	Description	Qty						I	R
				(A)	(B)	(C)	(D)	(E)	(F)		
1	1	124070-59060	PIPE ASSY, FUEL	1	1	1	1	1			
2	2	124070-59130	PIPE, FUEL 2M	1	1	1	1	1			
4	2	138603-59380	CAP NUT	1	1	1	1	1			
5	2	23010-014000	CLAMP, 14	2	2	2	2	2			
7	1	83213-003012	TANK (30L), FUEL	1	1	1	1	1			
8	2	105430-55041	CAP ASSY	1	1	1	1	1			

Fig.44. ENGINE STOP DEVIC(4JH3E)

(A)=4JH3E  
(B)=4JH3CE  
(C)=4JH3CE1

(D)=4JH3-TE  
(E)=4JH3-TCE  
(F)=

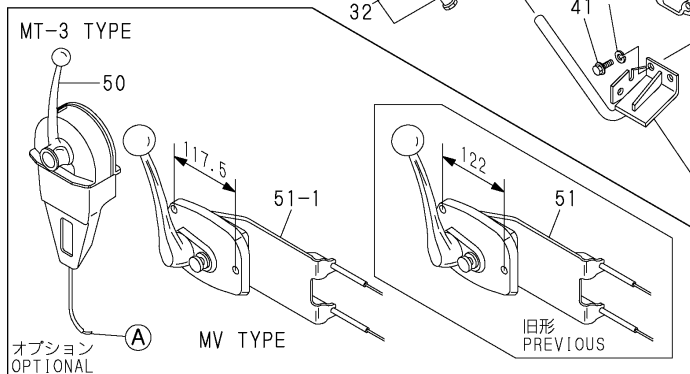
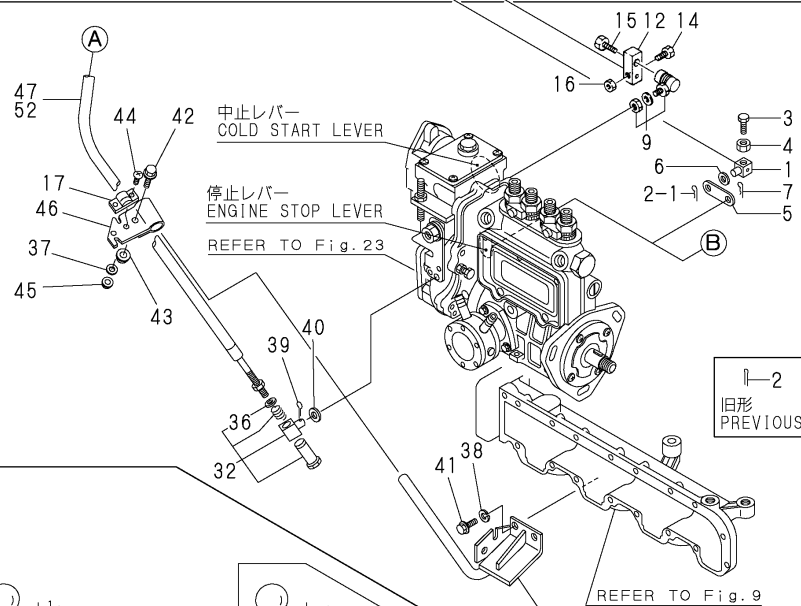
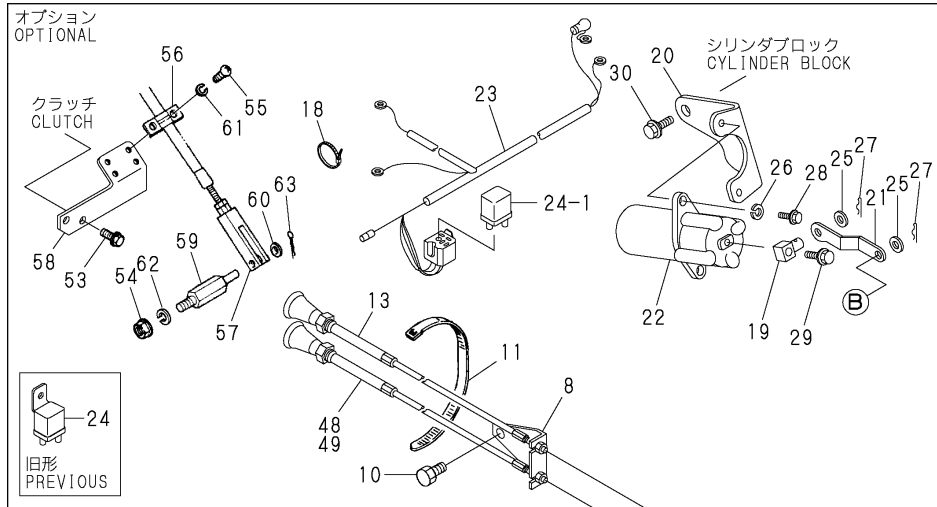


No.	Lev.	Parts No.	Description	Q'ty						I	R
				(A)	(B)	(C)	(D)	(E)	(F)		
1	1	129590-67310	RETAINER	1	1	1					
2	1	22414-250150	PIN, COTTER 2.5X15	1	1						
2-1	1	22372-050000	PIN, SNAP 5	1	1	1					N
		(A=E/#20620) (B=E/#20620)									
3	1	26116-050142	BOLT, M5X 14 PLATED	1	1	1					
4	1	26756-050002	NUT, LOCK M5	1	1	1					
5	1	119867-66910	LINK	1	1	1					W
		(A=E/#20620) (B=E/#20620)									
6	1	22137-060000	WASHER, 6	1	1	1					W
		(A=E/#20620) (B=E/#20620)									
7	1	22360-080000	SNAP PIN 8	1	1	1					W
		(A=E/#20620) (B=E/#20620)									
8	1	129590-67140	BRACKET	1	1	1					W
		(A=E/#20620) (B=E/#20620)									
9	1	41710-001300	JOINT, BALL	1	1	1					W
		(A=E/#20258) (B=E/#20258)									
10	1	26106-080122	BOLT, M8X 12 PLATED	1	1	1					W
		(A=E/#20620) (B=E/#20620)									
11	1	121750-59890	BAND, 140	1	1	1					W
		(A=E/#20258) (B=E/#20258)									
12	1	129595-67310	RETAINER	1	1	1					W
		(A=E/#20258) (B=E/#20258)									
13	1	129590-67420	CABLE, L=500	1	1	1					W
		(A=E/#20258) (B=E/#20258)									
14	1	26116-050142	BOLT, M5X 14 PLATED	1	1	1					W
		(A=E/#20258) (B=E/#20258)									
15	1	26116-050202	BOLT, M5X 20 PLATED	1	1	1					W
		(A=E/#20258) (B=E/#20258)									
16	1	26756-050002	NUT, LOCK M5	1	1	1					W
		(A=E/#20258) (B=E/#20258)									
17	1	41710-000410	CLAMP	1	1	1					
18	1	121750-59890	BAND, 140	1	1	1					
19	1	171078-66551	PIN	1	1	1					
20	1	129470-67300	BRACKET, SOLENOID	1	1						
20-1	1	129573-67300	BRACKET, SOLENOID	1	1	1					N
		(A=E/#20258) (B=E/#20258)									
21	1	129470-67310	LINK	1	1	1					
22	1	129470-67320	SOLENOID, STOP 12V	1	1	1					
23	1	129470-77971	HARNES, WIRE	1	1	1					
24	1	124617-91850	RELAY	1	1	1					
24-1	1	119773-91850	RELAY	1	1	1					R
		(A=E/#22643) (B=E/#22643) (C=E/#22643)									
25	1	22117-080000	WASHER, 8	2	2	2					
26	1	22217-060000	WASHER, SPRING 6	2	2	2					
27	1	22360-080000	SNAP PIN 8	2	2	2					
28	1	26106-060102	BOLT, M6X 10 PLATED	2	2	2					
29	1	26106-060202	BOLT, M6X 20 PLATED	1	1	1					
30	1	26106-080122	BOLT, M8X 12 PLATED	2	2	2					
31	1	129590-67101	BRACKET, GOVERNOR	1	1	1					
32	1	129470-67200	RETAINER ASSY	1	1	1					
36	2	22242-000100	RING, 10	1	1	1					

Fig.44. ENGINE STOP DEVIC(4JH3E)

(A)=4JH3E  
(B)=4JH3CE  
(C)=4JH3CE1

(D)=4JH3-TE  
(E)=4JH3-TCE  
(F)=



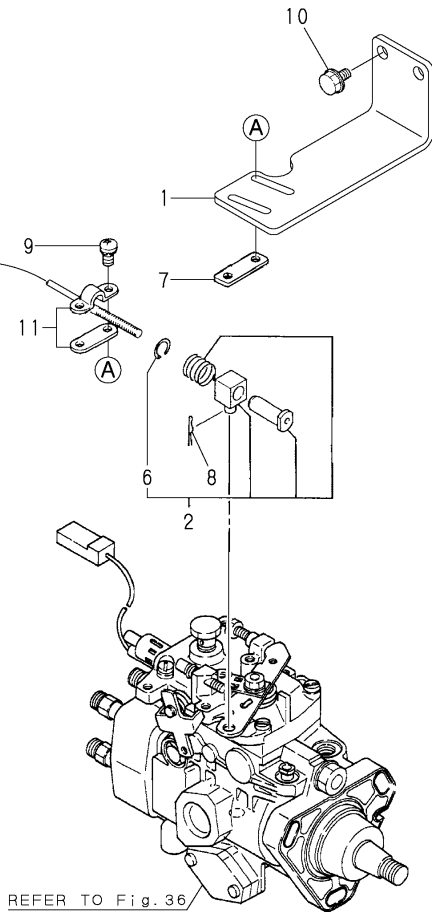
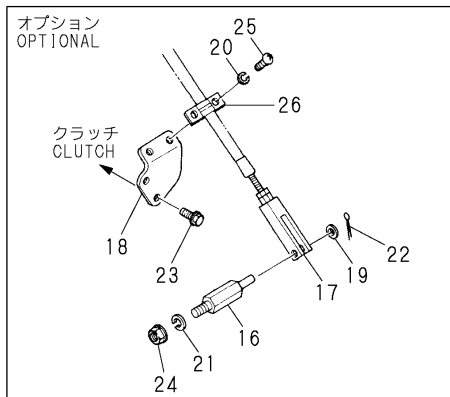
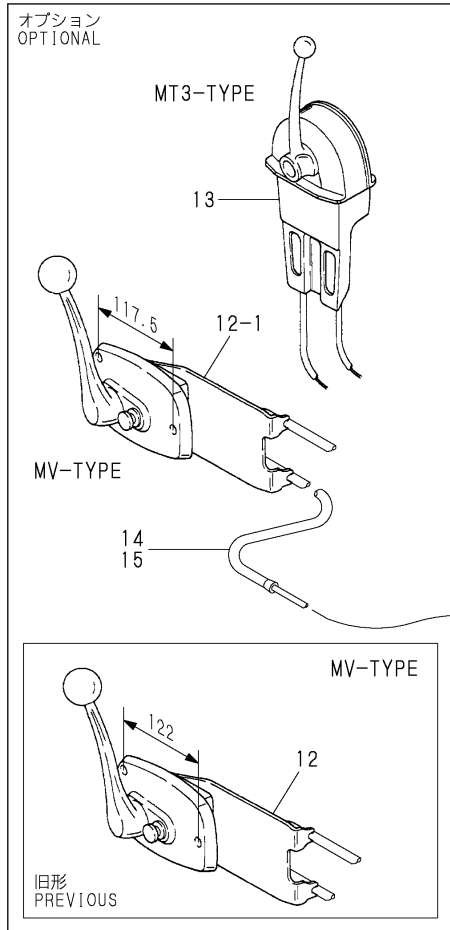
No.	Lev.	Parts No.	Description	Q'ty						I	R
				(A)	(B)	(C)	(D)	(E)	(F)		
37	1	22217-050000	WASHER, SPRING 5	2	2	2					
38	1	22217-080000	WASHER, SPRING 8	2	2	2					
39	1	22414-250150	PIN, COTTER 2.5X15	1	1	1					
40	1	23414-080000	GASKET, 8X1.0	1	1	1					
41	1	26106-080122	BOLT, M8X 12 PLATED	2	2	2					
42	1	26106-080252	BOLT, M8X 25 PLATED	1	1	1					
43	1	26366-080002	NUT, M8	1	1	1					
44	1	26557-050122	SCREW, M5X12	2	2	2					
45	1	26716-050002	NUT, M5	2	2	2					
46	1	129590-67110	BRACKET, CABLE	1	1	1					
47	1	129470-86500	CABLE, L=7000	2	2	2					
48	1	129470-67550	CABLE, STOP L=4000	1	1	1					
49	1	129470-67560	CABLE, STOP L=7000	1	1	1					
50	1	41730-000681	MT-3 REMO-CON	1	1	1					
51	1	128170-86500	CONTROLLER	1	1	1					
51-1	1	128170-86501	REMOCON HEAD (MN	1	1	1					S
		(A=E/#25748) (B=E/#25748) (C=E/#25748)									
52	1	41710-000380	CABLE L=4000	2	2	2					
53	1	26106-060162	BOLT, M6X 16 PLATED	2	2	2					Z
		(A=E/#25682) (B=E/#25682) (C=E/#25682)									
54	1	26306-080002	NUT, M8	1	1	1					Z
		(A=E/#25682) (B=E/#25682) (C=E/#25682)									
55	1	26557-050082	SCREW, M5X 8	2	2	2					Z
		(A=E/#25682) (B=E/#25682) (C=E/#25682)									
56	1	41710-000410	CLAMP	1	1	1					Z
		(A=E/#25682) (B=E/#25682) (C=E/#25682)									
57	1	129670-86250	JOINT	1	1	1					Z
		(A=E/#25682) (B=E/#25682) (C=E/#25682)									
58	1	129670-86310	BRACKET, CABLE	1	1	1					Z
		(A=E/#25682) (B=E/#25682) (C=E/#25682)									
59	1	128370-86280	CLEVIS, 12SQ-48L	1	1	1					Z
		(A=E/#25682) (B=E/#25682) (C=E/#25682)									
60	1	22113-060000	WASHER, 6	1	1	1					Z
		(A=E/#25682) (B=E/#25682) (C=E/#25682)									
61	1	22217-050000	WASHER, SPRING 5	2	2	2					Z
		(A=E/#25682) (B=E/#25682) (C=E/#25682)									
62	1	22217-080000	WASHER, SPRING 8	1	1	1					Z
		(A=E/#25682) (B=E/#25682) (C=E/#25682)									
63	1	22414-160100	PIN, COTTER 1.6X10	1	1	1					Z
		(A=E/#25682) (B=E/#25682) (C=E/#25682)									



Fig.45. ENGINE STOP DEVIC(4JH3-TE)

(A)=4JH3E  
(B)=4JH3CE  
(C)=4JH3CE1

(D)=4JH3-TE  
(E)=4JH3-TCE  
(F)=



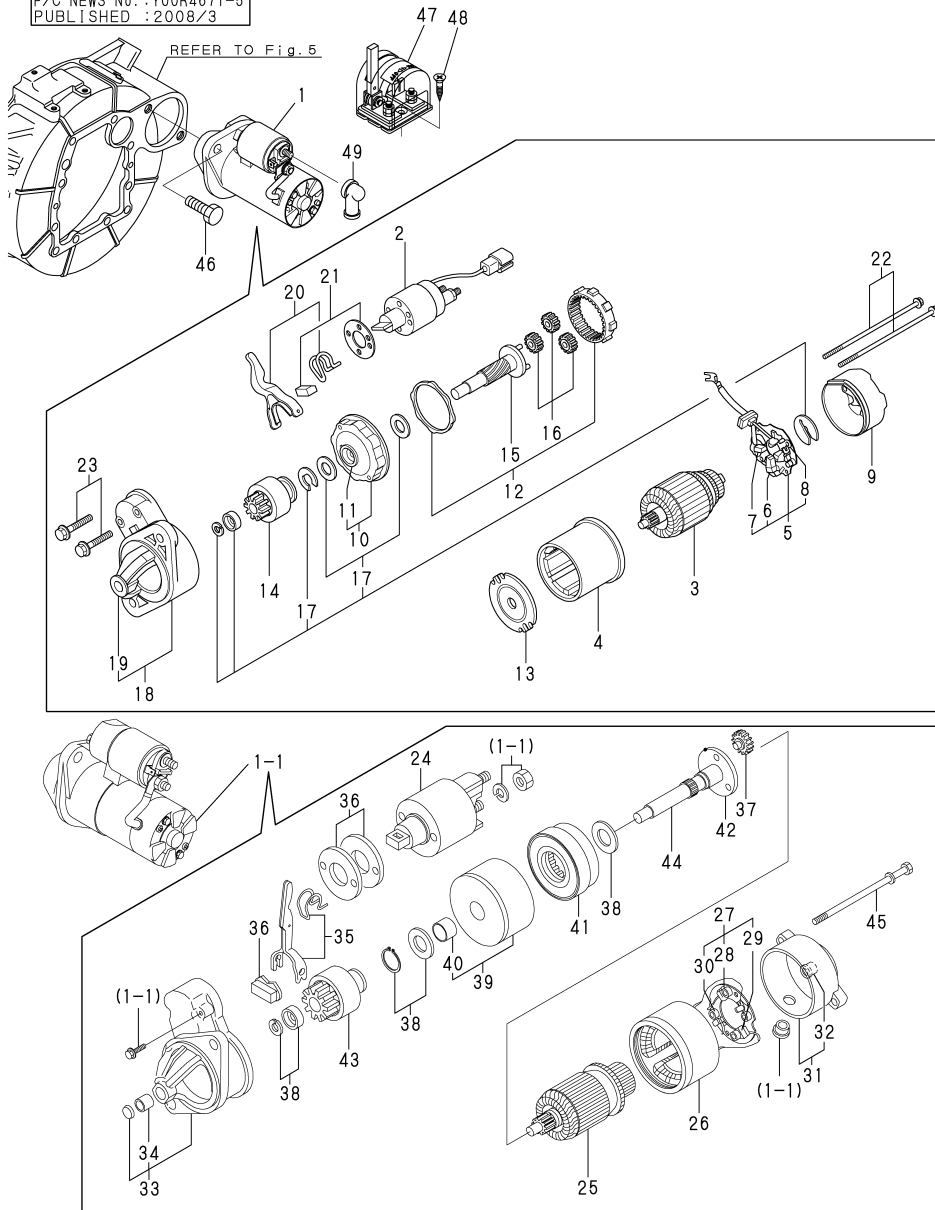
No.	Lev.	Parts No.	Description	Q'ty						I	R	
				(A)	(B)	(C)	(D)	(E)	(F)			
1	1	129693-67101	BRACKET				1					
1-1	1	129693-67102	BRACKET				1	1				N
				(D=E/#10223)								
2	1	105311-67200	RETAINER ASSY				1	1				
6	2	22242-000100	RING, 10				1	1				
7	1	121574-86320	RETAINER				1	1				
8	1	22414-250150	PIN, COTTER 2.5X15				1	1				
9	1	26022-050162	SCREW, M5X16				2	2				
10	1	26106-080122	BOLT, M8X 12 PLATED				2	2				
11	1	41710-000410	CLAMP				1	1				
12	1	128170-86500	CONTROLLER				1	1				
12-1	1	128170-86501	REMOCON HEAD (MN)				1	1				S
				(D=E/#12899)		(E=E/#12899)						
13	1	41730-000681	MT-3 REMO-CON				1	1				
14	1	41710-000380	CABLE L=4000				2	2				
15	1	129470-86500	CABLE, L=7000				2	2				
16	1	129470-86250	JOINT				1	1				
17	1	128370-86280	CLEVIS, 12SQ-48L				1	1				
18	1	129470-86310	BRACKET, CABLE				1	1				
19	1	22113-060000	WASHER, 6				1	1				
20	1	22217-050000	WASHER, SPRING 5				2	2				
21	1	22217-080000	WASHER, SPRING 8				1	1				
22	1	22414-160100	PIN, COTTER 1.6X10				1	1				
23	1	26106-060162	BOLT, M6X 16 PLATED				2	2				
24	1	26306-080002	NUT, M8				1	1				
25	1	26557-050082	SCREW, M5X 8				2	2				
26	1	41710-000410	CLAMP				1	1				

Fig.46. STARTING MOTOR(4JH3E)

(A)=4JH3E  
(B)=4JH3CE  
(C)=4JH3CE1

(D)=4JH3-TE  
(E)=4JH3-TCE  
(F)=

P/C NEWS No. : Y00R4671-5  
PUBLISHED : 2008/3



No.	Lev.	Parts No.	Description	Q'ty						I	R
				(A)	(B)	(C)	(D)	(E)	(F)		
1	1	129698-77010	STARTER, 12V1.2KW	1	1	1					
1-1	1	129608-77010	STARTER, S114-817A	1	1	1					F 1
		(A=*2007.01) (B=*2007.01) (C=*2007.01)									
2	2	124298-77020	SWITCH, MAGNETIC	1	1						
2-1	2	129698-77020	SWITCH ASSY	1	1	1					R
		(A=E/#21145) (B=E/#21145)									
3	2	129698-77100	ARMATURE ASSY	1	1	1					
3-1	2	129698-77101	ARMATURE ASSY	1	1	1					R
		(A=E/#24255) (B=E/#24255) (C=E/#24255)									
4	2	129698-77110	YOKE ASSY	1	1	1					
5	2	129698-77120	HOLDER ASSY, BRUSH	1	1	1					
6	3	129698-77130	BRUSH	2	2	2					
7	3	129698-77140	BRUSH SET	1	1	1					
8	3	129698-77150	SPRING, BRUSH	4	4	4					
9	2	129698-77160	COVER ASSY	1	1	1					
9-1	2	129698-77161	COVER ASSY	1	1	1					R
		(A=E/#23959) (B=E/#23959) (C=E/#23959)									
10	2	129698-77180	BRACKET	1	1	1					
11	3	129698-77190	BRACKET	1	1	1					
12	2	129698-77200	GEAR, INTERNAL	1	1	1					
13	2	129698-77210	BRACKET	1	1	1					
14	2	129698-77220	PINION ASSY	1	1	1					
15	2	129698-77230	SHAFT	1	1	1					
16	2	129698-77240	GEAR	3	3	3					
17	2	129698-77250	WASHER SET	1	1	1					
18	2	129698-77260	CASE ASSY	1	1	1					
19	3	X2114535200	METAL, STARTER	1	1	1					
20	2	129698-77270	LEVER SET, SHIFT	1	1	1					
21	2	129698-77280	COVER KIT	1	1	1					
22	2	124195-77770	BOLT, THROUGH	2	2	2					
23	2	114371-79070	BOLT	2	2	2					
24	2	129698-77020	SWITCH ASSY	1	1	1					
25	2	129698-77101	ARMATURE ASSY	1	1	1					
26	2	129608-77110	YOKE ASSY	1	1	1					
27	2	129698-77120	HOLDER ASSY, BRUSH	1	1	1					
28	3	129698-77140	BRUSH SET	1	1	1					
29	3	129698-77130	BRUSH	2	2	2					
30	3	129698-77150	SPRING, BRUSH	4	4	4					
31	2	129698-77161	COVER ASSY	1	1	1					
32	3	129698-77170	BEARING	1	1	1					
33	2	129698-77260	CASE ASSY	1	1	1					
34	3	X2114535200	METAL, STARTER	1	1	1					
35	2	129698-77270	LEVER SET, SHIFT	1	1	1					
36	2	129698-77280	COVER KIT	1	1	1					
37	2	129698-77240	GEAR	3	3	3					
38	2	129698-77250	WASHER SET	1	1	1					
39	2	129698-77180	BRACKET	1	1	1					
40	3	129698-77190	BRACKET	1	1	1					
41	2	129698-77200	GEAR, INTERNAL	1	1	1					
42	2	129698-77210	BRACKET	1	1	1					
43	2	129698-77220	PINION ASSY	1	1	1					

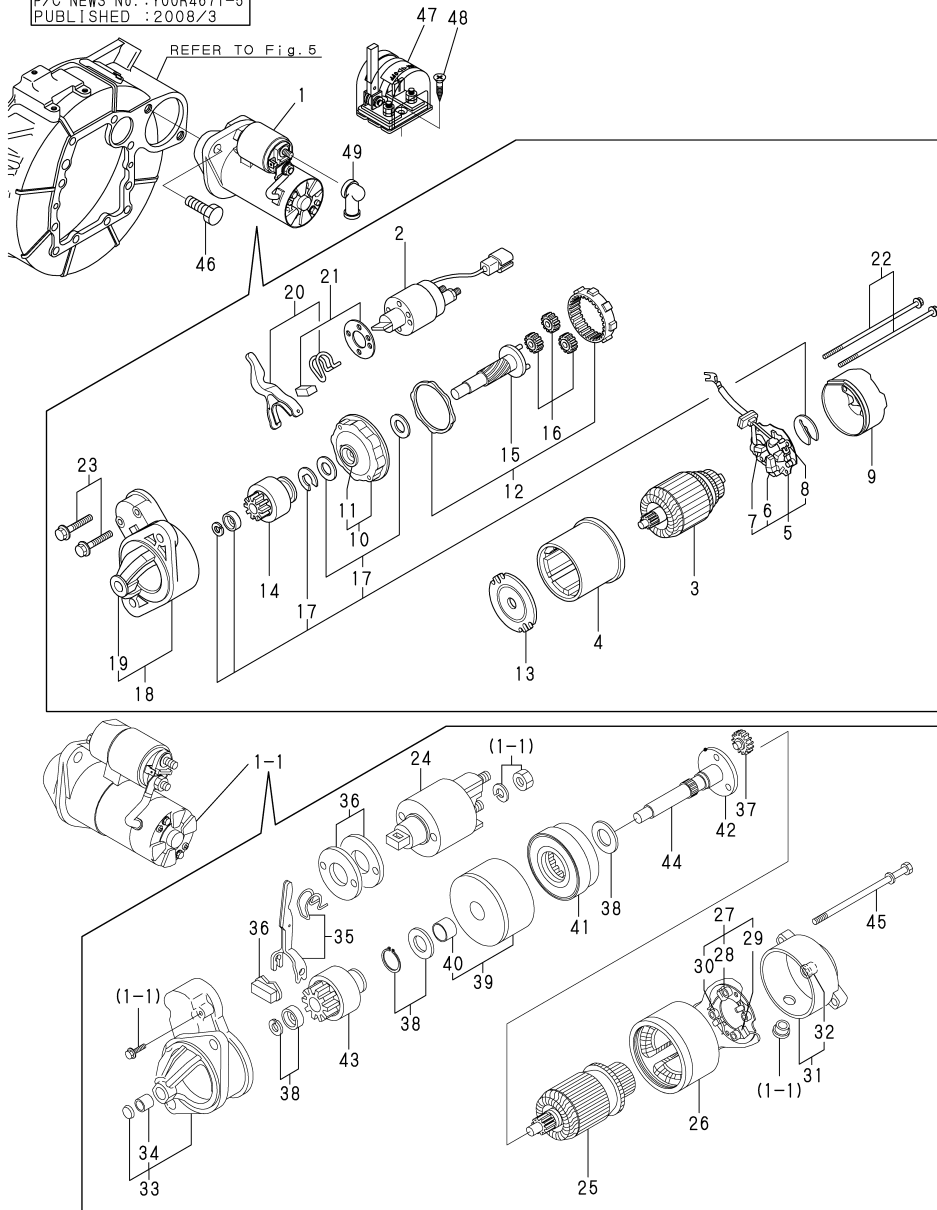
Remarks  
(1) INTERCHANGEABLE BY SIMULTANEOUS REPLACEMENT WITH REF.NO.1-1  
FIG.54 REF.NO.14-1.

Fig.46. STARTING MOTOR(4JH3E)

(A)=4JH3E  
(B)=4JH3CE  
(C)=4JH3CE1

(D)=4JH3-TE  
(E)=4JH3-TCE  
(F)=

P/C NEWS No. : Y00R4671-5  
PUBLISHED : 2008/3



No.	Lev.	Parts No.	Description	Q'ty						I	R
				(A)	(B)	(C)	(D)	(E)	(F)		
44	2	129698-77230	SHAFT	1	1	1					
45	2	124195-77770	BOLT, THROUGH	2	2	2					
46	1	26116-120302	BOLT, M12X 30 PLATED	2	2	2					
47	1	123310-77640	SWITCH, BATTERY	1	1	1					
48	1	22724-800380	SCREW, 8.0X38	2	2	2					
49	1	124550-77030	COVER, TERMINAL	1	1	1					

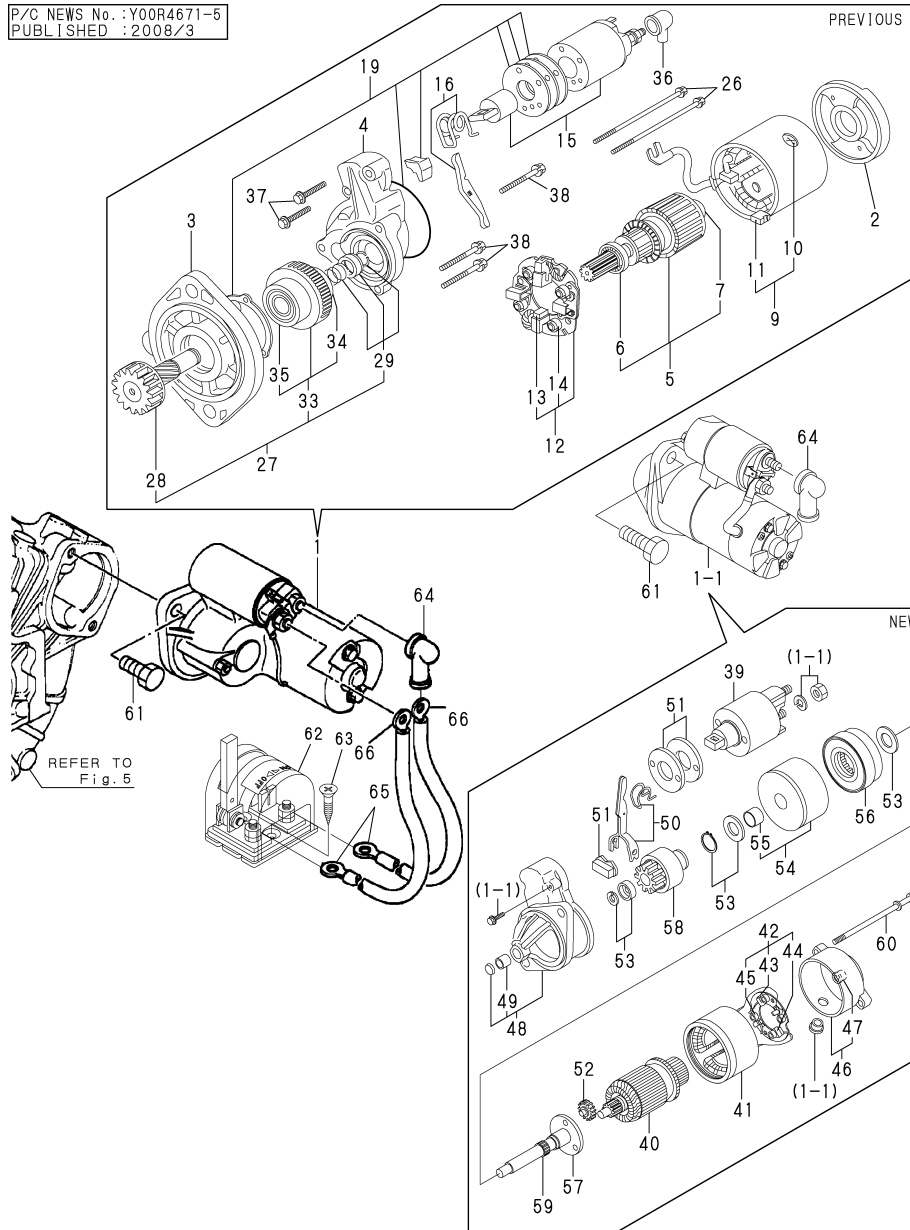
Remarks  
(1) INTERCHANGEABLE BY SIMULTANEOUS  
REPLACEMENT WITH REF.NO.1-1  
FIG.54 REF.NO.14-1.

Fig.47. STARTING MOTOR(4JH3-TE)

(A)=4JH3E  
(B)=4JH3CE  
(C)=4JH3CE1

(D)=4JH3-TE  
(E)=4JH3-TCE  
(F)=

P/C NEWS No. :Y00R4671-5  
PUBLISHED :2008/3

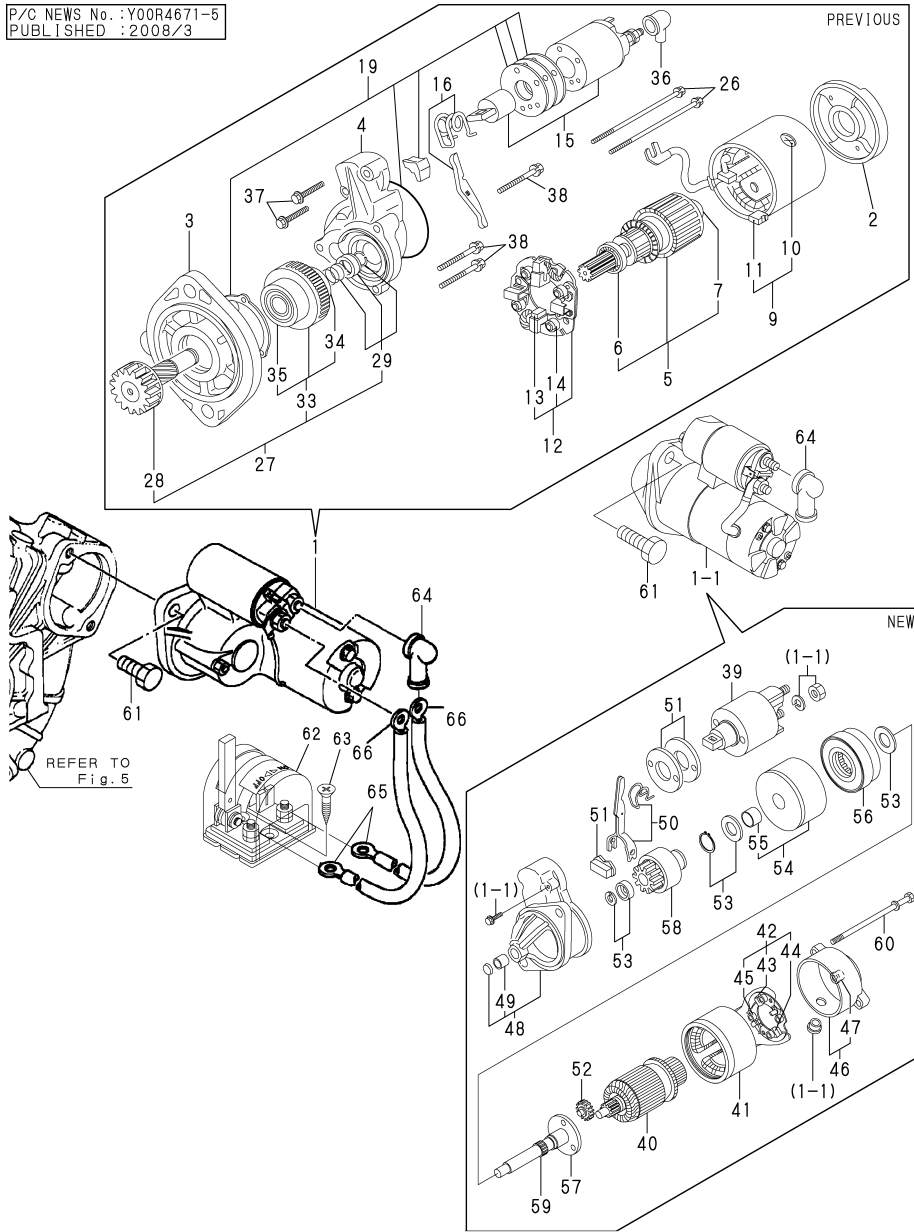


No.	Lev.	Parts No.	Description	Q'ty						I	R
				(A)	(B)	(C)	(D)	(E)	(F)		
1	1	171008-77010	STARTER, S114-483				1	1			
1-1	1	129608-77010	STARTER, S114-817A				1	1			F 1
			(D=*2007.01) (E=*2007.01)								
2	2	171008-77500	COVER, REAR				1	1			
3	2	171008-77510	CASE, GEAR				1	1			
4	2	171008-77520	HOUSING, CENTER				1	1			
5	2	171008-77400	ARMATURE ASSY				1	1			
6	3	X2114255110	BEARING, BALL				1	1			
7	3	X2130350900	BEARING, BALL				1	1			
9	2	171008-77440	COIL ASSY, FIELD				1	1			
10	3	171008-77450	SCREW				4	4			
11	3	171008-77460	BRUSH (+)				2	2			
12	2	171008-77470	HOLDER ASSY, BRUSH				1	1			
13	3	171008-77480	BRUSH (-)				2	2			
14	3	171008-77490	SPRING, BRUSH				4	4			
15	2	171008-77531	MAGNETIC SWITCH ASSY				1	1			
16	2	171008-77540	LEVER SET				1	1			
19	2	171008-77571	COVER KIT, DUST				1	1			
26	2	171008-77640	BOLT, THROUGH				2	2			
27	2	171008-77650	PINION ASSY				1	1			
28	3	171008-77660	SHAFT				1	1			
29	3	171008-77670	STOPPER SET				1	1			
33	3	X2114555500	CLUTCH ASSY				1	1			
34	4	X2114955020	BEARING, BALL				1	1			
35	4	X2240410100	BEARING, BALL				1	1			
36	2	171008-77750	COVER				1	1			
37	2	26106-060322	BOLT, M6X 32 PLATED				2	2			
38	2	26106-060402	BOLT, M6X 40 PLATED				3	3			
39	2	129698-77020	SWITCH ASSY				1	1			
40	2	129698-77101	ARMATURE ASSY				1	1			
41	2	129608-77110	YOKE ASSY				1	1			
42	2	129698-77120	HOLDER ASSY, BRUSH				1	1			
43	3	129698-77140	BRUSH SET				1	1			
44	3	129698-77130	BRUSH				2	2			
45	3	129698-77150	SPRING, BRUSH				4	4			
46	2	129698-77161	COVER ASSY				1	1			
47	3	129698-77170	BEARING				1	1			
48	2	129698-77260	CASE ASSY				1	1			
49	3	X2114535200	METAL, STARTER				1	1			
50	2	129698-77270	LEVER SET, SHIFT				1	1			
51	2	129698-77280	COVER KIT				1	1			
52	2	129698-77240	GEAR				3	3			
53	2	129698-77250	WASHER SET				1	1			
54	2	129698-77180	BRACKET				1	1			
55	3	129698-77190	BRACKET				1	1			
56	2	129698-77200	GEAR, INTERNAL				1	1			
57	2	129698-77210	BRACKET				1	1			
58	2	129698-77220	PINION ASSY				1	1			
59	2	129698-77230	SHAFT				1	1			
60	2	124195-77770	BOLT, THROUGH				2	2			
61	1	26116-120302	BOLT, M12X 30 PLATED				2	2			

Remarks  
(1) INTERCHANGEABLE BY SIMULTANEOUS REPLACEMENT WITH REF.NO.1-1 FIG.54 REF.NO.14-1.

Fig.47. STARTING MOTOR(4JH3-TE)

P/C NEWS No. : Y00R4671-5  
PUBLISHED : 2008/3



(A)=4JH3E  
(B)=4JH3CE  
(C)=4JH3CE1

(D)=4JH3-TE  
(E)=4JH3-TCE  
(F)=

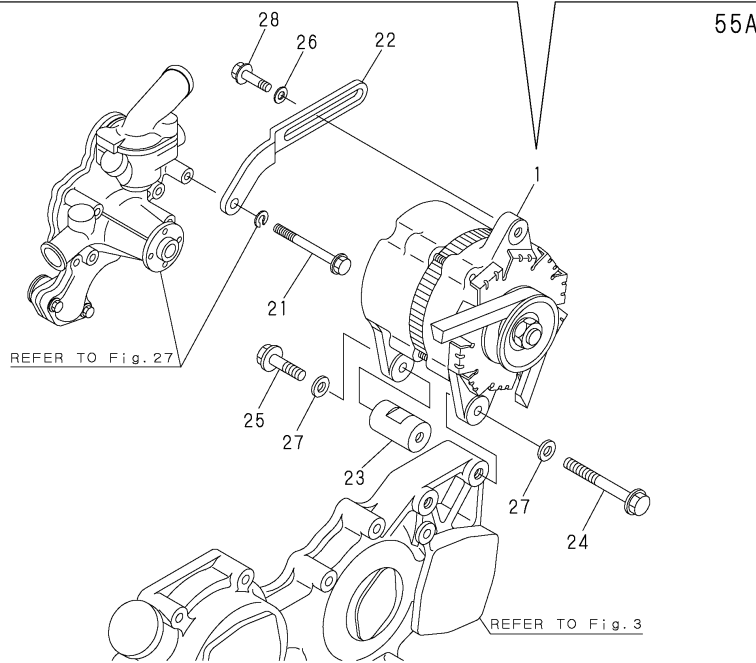
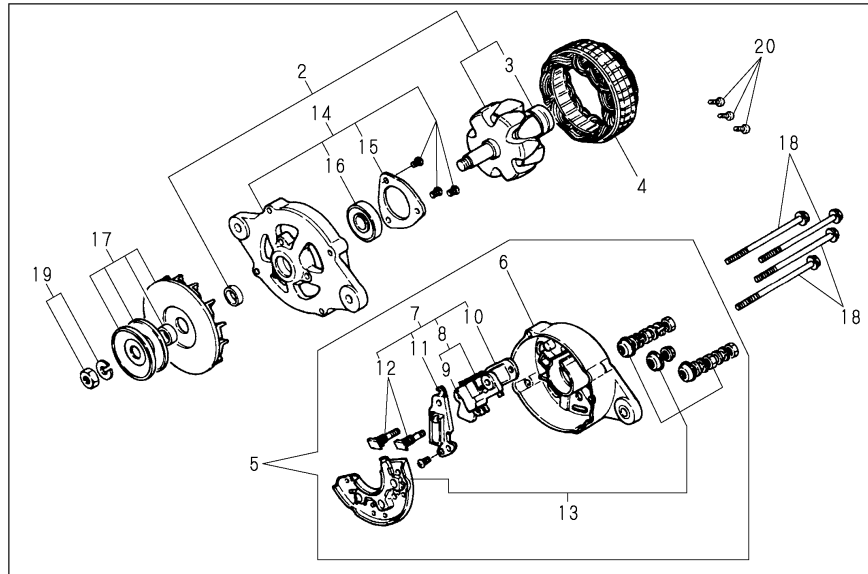
No.	Lev.	Parts No.	Description	Q'ty						I	R
				(A)	(B)	(C)	(D)	(E)	(F)		
62	1	123310-77640	SWITCH, BATTERY				1	1			
63	1	22724-800380	SCREW, 8.0X38				2	2			
64	1	124550-77030	COVER, TERMINAL				1	1			
65	1	123325-77920	TERMINAL				2	2			
66	1	123325-77930	TERMINAL				2	2			

Remarks  
(1) INTERCHANGEABLE BY SIMULTANEOUS  
REPLACEMENT WITH REF.NO.1-1  
FIG.54 REF.NO.14-1.

Fig.48. GENERATOR(4JH3E:PREVIOUS)

(A)=4JH3E  
(B)=4JH3CE  
(C)=4JH3CE1

(D)=4JH3-TE  
(E)=4JH3-TCE  
(F)=



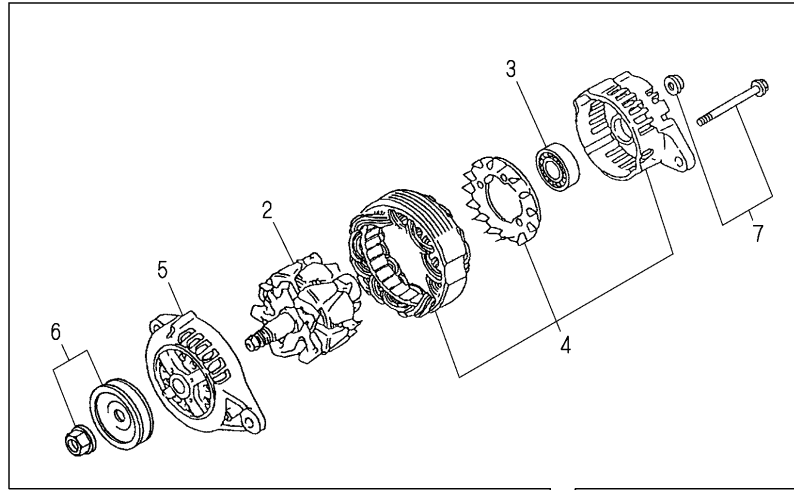
No.	Lev.	Parts No.	Description	Q'ty						I	R
				(A)	(B)	(C)	(D)	(E)	(F)		
1	1	129670-77200	GENERATOR	1	1						
1-1	1	129772-77200	GENERATOR(12V-55A)	1	1						R
		(A=E/#20296) (B=E/#20296)									
1-2	1	129772-77200	GENERATOR(12V-55A)	1	1	1					Z 1
		(A=E/#25682) (B=E/#25682) (C=E/#25682)									
2	2	XL15571001	ROTOR ASSY	1	1	1					
3	3	124080-77490	BALL BEARING	1	1	1					
4	2	XL15542001	STATOR ASSY	1	1	1					
5	2	XL155G6300	COVER ASSY, REAR	1	1	1					
6	3	XL22553012	COVER, REAR	1	1	1					
7	3	XL155G1315	REGULATOR ASSY,BRUSH	1	1	1					
8	4	XL2255330	BRUSH ASSY	1	1	1					2
9	4	XL12013262	BRUSH	2	2	2					
10	4	XTR1Z63	REGULATOR	1	1	1					
11	4	XL2554318	CONDENSER ASSY	1	1	1					
12	4	XL13513134	BOLT M5	2	2	2					
13	3	XL2253320	DIODE ASSY	1	1	1					
14	2	XL2253400	FRONT COVER ASSY	1	1	1					
15	3	XL15014042	BEARING RETAINER	1	1	1					
16	3	X6203BM	BALL BEARING	1	1	1					
17	2	XL225G6500	PULLEY ASSY	1	1	1					
18	2	XL15018015	BOLT, THROUGH	4	4	4					
19	2	XL1501810	NUT ASSY, PULLEY	1	1	1					
20	2	XL15028001	SCREW ASSY	1	1	1					
21	1	26106-080652	BOLT, M8X 65 PLATED	1	1	1					
22	1	129470-77330	ADJUSTER, BELT	1	1						
22-1	1	129670-77430	ADJUSTER	1	1	1					R
		(A=E/#21955) (B=E/#21955)									
23	1	129670-77340	PIECE, DISTANCE	1	1	1					
24	1	129695-77370	BOLT, M10X75	1	1	1					
25	1	129695-77380	BOLT, M10X30	1	1	1					
26	1	22137-080000	WASHER, 8	1	1	1					
27	1	22137-100000	WASHER, 10	2	2	2					
28	1	26106-080252	BOLT, M8X 25 PLATED	1	1	1					

Remarks  
(1)INTERCHANGEABILITY IS <N> WITH  
FIG.49 REF.NO.1.

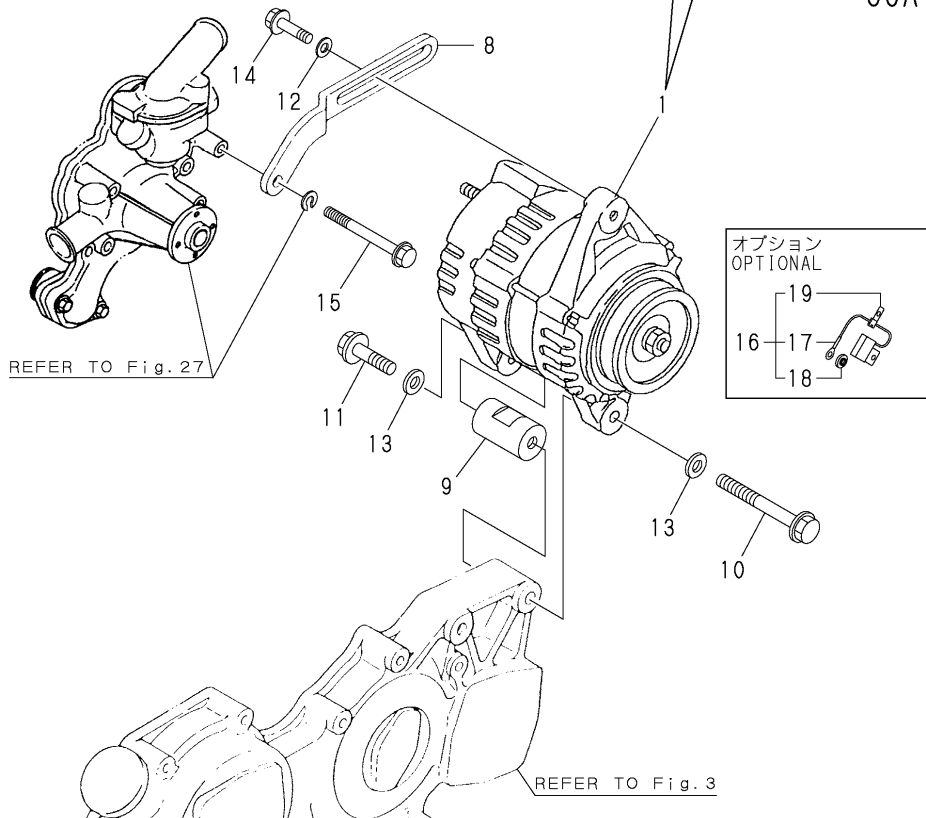
Fig.49. GENERATOR(4JH3E:NEW)

(A)=4JH3E  
(B)=4JH3CE  
(C)=4JH3CE1

(D)=4JH3-TE  
(E)=4JH3-TCE  
(F)=



60A

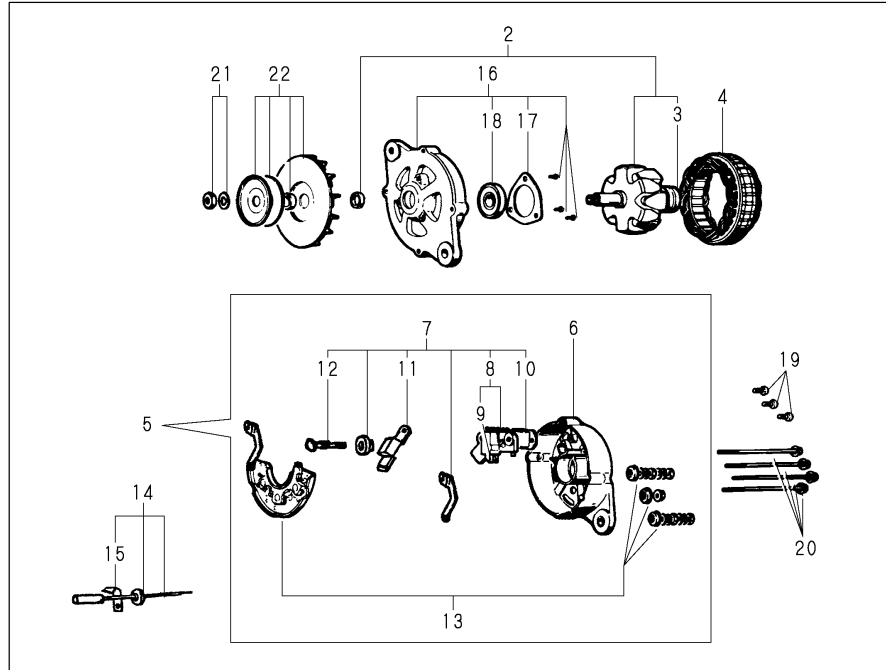


No.	Lev.	Parts No.	Description	Q'ty						I	R
				(A)	(B)	(C)	(D)	(E)	(F)		
1	1	128271-77200	GENERATOR, 12V-60A	1	1	1					W
		(A=E/#25682) (B=E/#25682) (C=E/#25682)									
2	2	123900-77700	ROTOR ASSY	1	1	1					
3	2	129612-77710	BEARING, BALL	1	1	1					
4	2	128271-77720	BRACKET(STATOR+REGUL	1	1	1					
5	2	123900-77730	BRACKET ASSY	1	1	1					
6	2	128271-77740	PULLEY	1	1	1					
7	2	128271-77750	SCREW KIT	1	1	1					
8	1	129495-77330	ADJUSTER, BELT	1	1						
8-1	1	129670-77430	ADJUSTER	1	1	1					R
		(A=E/#21955) (B=E/#21955)									
9	1	129670-77340	PIECE, DISTANCE	1	1	1					
10	1	129695-77370	BOLT, M10X75	1	1	1					
11	1	129695-77380	BOLT, M10X30	1	1	1					
12	1	22137-080000	WASHER, 8	1	1	1					
13	1	22137-100000	WASHER, 10	2	2	2					
14	1	26106-080252	BOLT, M8X 25 PLATED	1	1	1					
15	1	26106-080652	BOLT, M8X 65 PLATED	1	1	1					
16	1	129772-77250	CONDENSER ASSY	1	1	1					
17	2	129772-77260	CONDENSER	1	1	1					
18	2	129772-77270	BUSH	2	2	2					
19	2	129772-77280	CLAMP	1	1	1					

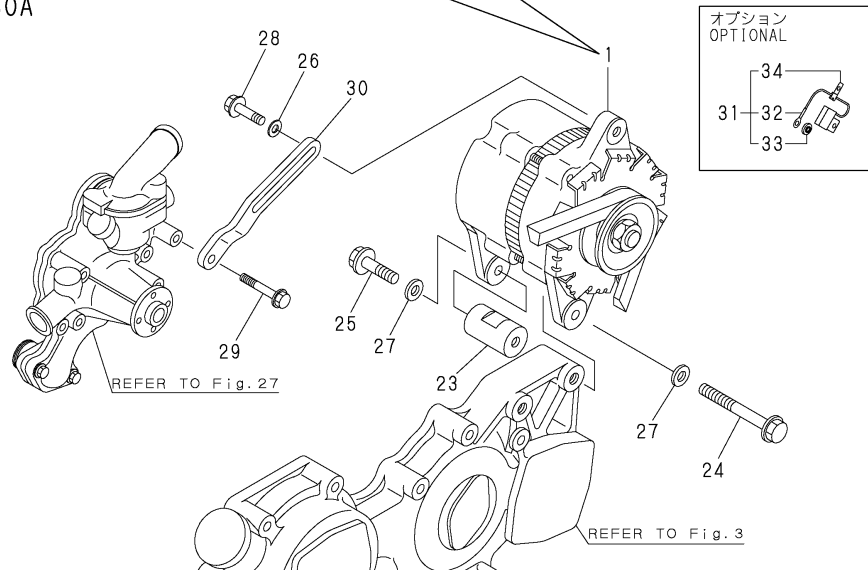
Fig.50. GENERATOR(4JH3E:OPTIONAL)

(A)=4JH3E  
(B)=4JH3CE  
(C)=4JH3CE1

(D)=4JH3-TE  
(E)=4JH3-TCE  
(F)=



80A



No.	Lev.	Parts No.	Description	Q'ty						I	R
				(A)	(B)	(C)	(D)	(E)	(F)		
1	1	119573-77201	ALTERNATER(12V-80A	1	1	1					
2	2	XL180G61000	ROTOR ASSY	1	1	1					
3	3	119129-77320	BALL BEARING	1	1	1					
4	2	XL180120000	STATOR ASSY	1	1	1					
5	2	XL180G63006	COVER ASSY, REAR	1	1	1					
6	3	XL180G13012	COVER, REAR	1	1	1					
7	3	XL180G43150	BRUSH ASSY,REGULATOR	1	1	1					
8	4	XL155G1330	BRUSH ASSY	1	1	1					1
9	4	XL225G1325	BRUSH SET	2	2	2					
10	4	124080-77390	REGULATOR ASSY	1	1	1					
11	4	XL225431800	CONDENSER ASSY	1	1	1					
12	4	124080-77520	BOLT M5	2	2	2					
13	3	XL1808320	DIODE ASY	1	1	1					
14	3	119129-77250	WIRE, LEAD	1	1	1					
15	4	119129-77260	CLAMP	1	1	1					
16	2	XL235340110	COVER ASSY, FRONT	1	1	1					
17	3	XL150M14041	RETAINER	1	1	1					
18	3	X6303BM0000	BEARING, BALL	1	1	1					
19	3	119129-77930	SCREW KIT	1	1	1					
20	2	119129-77890	BOLT, THROUGH	4	4	4					
21	2	119129-77900	NUT ASSY, PULLEY	1	1	1					
22	2	XL180G85001	PULLEY ASSY	1	1	1					
23	1	129670-77340	PIECE, DISTANCE	1	1	1					
24	1	129695-77370	BOLT, M10X75	1	1	1					
25	1	129695-77380	BOLT, M10X30	1	1	1					
26	1	22137-080000	WASHER, 8	1	1	1					
27	1	22137-100000	WASHER, 10	2	2	2					
28	1	26106-080252	BOLT, M8X 25 PLATED	1	1	1					
29	1	26106-080652	BOLT, M8X 65 PLATED	1	1	1					
30	1	129470-77330	ADJUSTER, BELT	1	1						
30-1	1	129670-77430	ADJUSTER	1	1	1					R
		(A=E/#21955) (B=E/#21955)									
31	1	119573-77250	CONDENSER ASSY	1	1	1					
32	2	119573-77260	CONDENSER	1	1	1					
33	2	119573-77270	BUSH	2	2	2					
34	2	129772-77280	CLAMP	1	1	1					

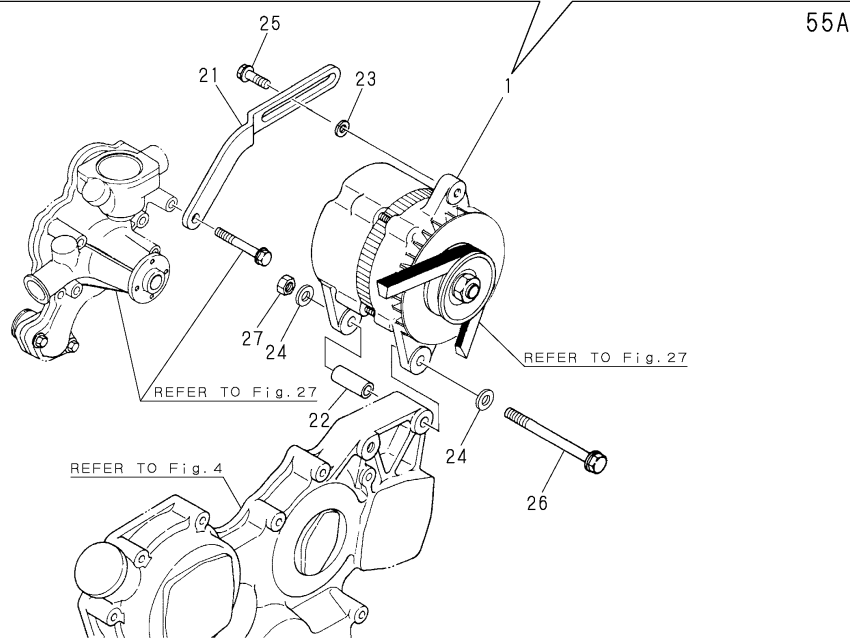
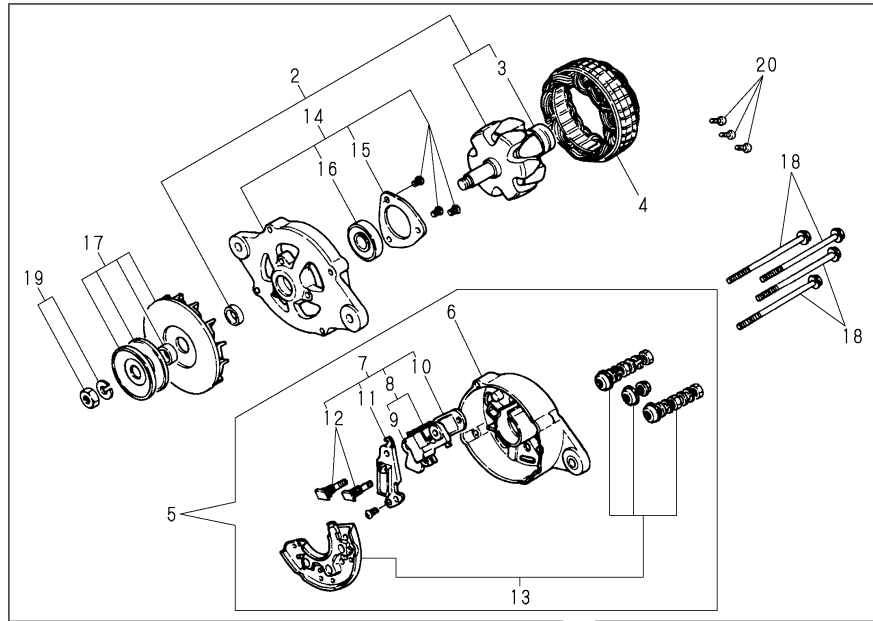
Remarks  
(1)INC. 9



Fig.51. GENERATOR(4JH3-TE)

(A)=4JH3E  
(B)=4JH3CE  
(C)=4JH3CE1

(D)=4JH3-TE  
(E)=4JH3-TCE  
(F)=



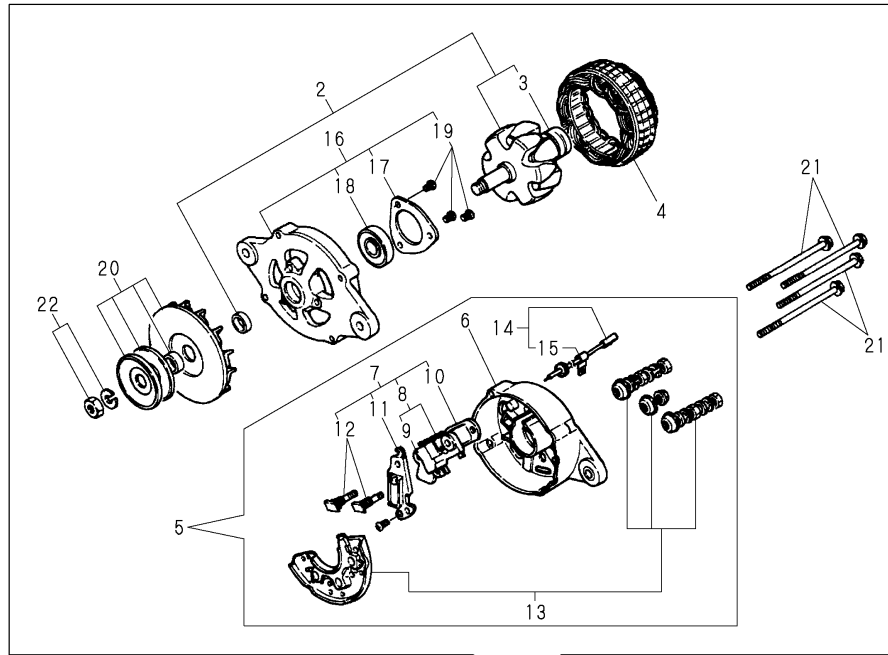
No.	Lev.	Parts No.	Description	Q'ty						I	R
				(A)	(B)	(C)	(D)	(E)	(F)		
1	1	129772-77200	GENERATOR(12V-55A)				1	1			
2	2	XL15571001	ROTOR ASSY				1	1			
3	3	129772-77200	GENERATOR(12V-55A)				1	1			
4	2	XL15542001	STATOR ASSY				1	1			
5	2	XL155G6300	COVER ASSY, REAR				1	1			
6	3	XL22553012	COVER, REAR				1	1			
7	3	XL155G1315	REGULATOR ASSY,BRUSH				1	1			
8	4	XL22553300	BRUSH ASSY				1	1		1	
9	4	XL12013262	BRUSH				2	2			
10	4	XTR1Z63	REGULATOR				1	1			
11	4	XL2554318	CONDENSER ASSY				1	1			
12	4	XL13513134	BOLT M5				2	2			
13	3	XL2253320	DIODE ASSY				1	1			
14	2	XL2253400	FRONT COVER ASSY				1	1			
15	3	XL15014042	BEARING RETAINER				1	1			
16	3	X6203BM	BALL BEARING				1	1			
17	2	XL225G6500	PULLEY ASSY				1	1			
18	2	XL15018015	BOLT, THROUGH				4	4			
19	2	XL1501810	NUT ASSY, PULLEY				1	1			
20	2	XL15028001	SCREW ASSY				1	1			
21	1	129470-77330	ADJUSTER, BELT				1	1			
22	1	129470-77340	PIECE, DISTANCE				1	1			
23	1	22137-080000	WASHER, 8				1	1			
24	1	22137-100000	WASHER, 10				2	2			
25	1	26106-080252	BOLT, M8X 25 PLATED				1	1			
26	1	26116-101202	BOLT, M10X120 PLATED				1	1			
27	1	26716-100002	NUT, M10				1	1			

Remarks  
(1)INC. 9

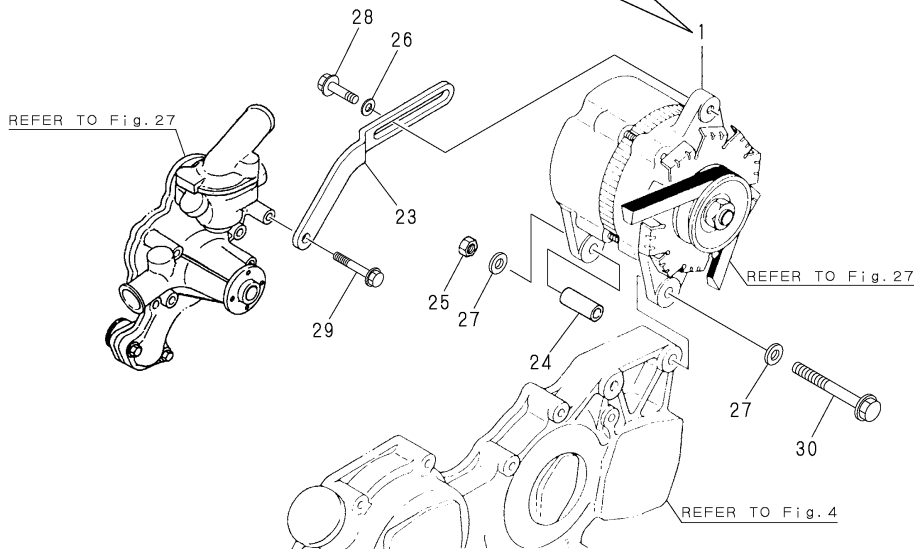
Fig.52. GENERATOR(4JH3-TE:PREVIOUS)

(A)=4JH3E  
(B)=4JH3CE  
(C)=4JH3CE1

(D)=4JH3-TE  
(E)=4JH3-TCE  
(F)=



80A



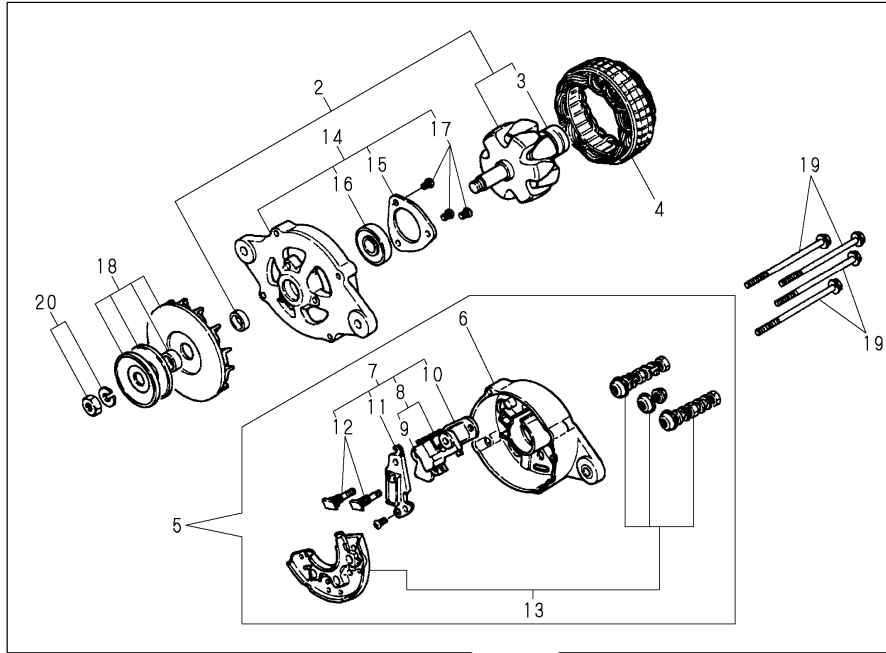
No.	Lev.	Parts No.	Description	Q'ty						I	R
				(A)	(B)	(C)	(D)	(E)	(F)		
1	1	119573-77201	ALTERNATER(12V-80A (D=E/#10399)				1				Z
2	2	XL180G61000	ROTOR ASSY				1				
3	3	119129-77320	BALL BEARING				1				
4	2	XL180120000	STATOR ASSY				1				
5	2	XL180G63006	COVER ASSY, REAR				1				
6	3	XL180G13012	COVER, REAR				1				
7	3	XL180G43150	BRUSH ASSY,REGULATOR				1				
8	4	XL155G1330	BRUSH ASSY				1				1
9	4	XL225G1325	BRUSH SET				2				
10	4	124080-77390	REGULATOR ASSY				1				
11	4	XL225431800	CONDENSER ASSY				1				
12	4	124080-77520	BOLT M5				2				
13	3	XL180832000	DIODE ASSY				1				
14	3	119129-77250	WIRE, LEAD				1				
15	4	119129-77260	CLAMP				1				
16	2	XL235340110	COVER ASSY, FRONT				1				
17	3	XL150M14041	RETAINER				1				
18	3	X6303BM0000	BEARING, BALL				1				
19	3	119129-77930	SCREW KIT				1				
20	2	XL180G85001	PULLEY ASSY				1				
21	2	119129-77890	BOLT, THROUGH				4				
22	2	119129-77900	NUT ASSY, PULLEY				1				
23	1	129470-77330	ADJUSTER, BELT				1				
24	1	129470-77340	PIECE, DISTANCE				1				
25	1	26716-100002	NUT, M10				1				
26	1	22137-080000	WASHER, 8				1				
27	1	22137-100000	WASHER, 10				2				
28	1	26106-080252	BOLT, M8X 25 PLATED				1				
29	1	26106-080652	BOLT, M8X 65 PLATED				1				
30	1	26116-101202	BOLT, M10X120 PLATED				1				

Remarks  
(1)INC. 9

Fig.53. GENERATOR(4JH3-TE:NEW)

(A)=4JH3E  
(B)=4JH3CE  
(C)=4JH3CE1

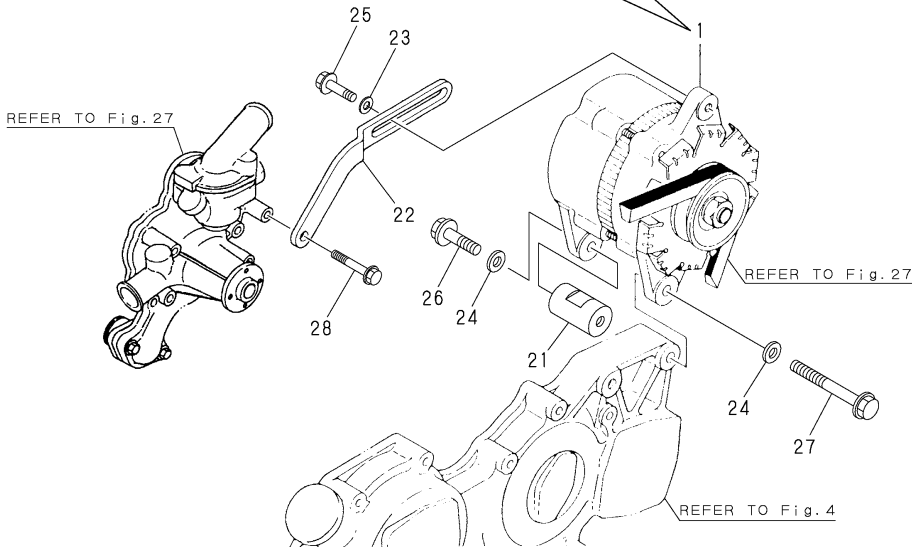
(D)=4JH3-TE  
(E)=4JH3-TCE  
(F)=



80A

No.	Lev.	Parts No.	Description	Q'ty						I	R
				(A)	(B)	(C)	(D)	(E)	(F)		
1	1	119573-77200	GENERATOR (12V-80A (D=E/#10399)				1	1			W
2	2	XL1805100	ROTOR ASY				1	1			
3	3	X6201NC	BALL BEARING				1	1			
4	2	XL1801200	STATOR ASY				1	1			
5	2	XL1809300	COVER ASSY, REAR				1	1			
6	3	XL1805301	COVER, REAR				1	1			
7	3	XL1556315	REGULATOR ASSY,BRUSH				1	1			
8	4	XL2255320	DIODE L225-5320				1	1			1
9	4	XL1801335	BRUSH				2	2			
10	4	XTR1Z63	REGULATOR				1	1			
11	4	XL2251318	CONDENCER ASSY				1	1			
12	4	119129-77940	BOLT(M5)				2	2			
13	3	XL1808320	DIODE ASY				1	1			
14	2	XL23534011	COVER ASSY, FRONT				1	1			
15	3	XL150M14041	RETAINER				1	1			
16	3	X6303BM	BALL BEARING 6303B				1	1			
17	3	XL15028001	SCREW ASSY				1	1			
18	2	XL1805500	PULLEY ASSY				1	1			
19	2	XL18018015	THROUGH BOLT				4	4			
20	2	XL1501810	NUT ASSY, PULLEY				1	1			
21	1	129670-77340	PIECE, DISTANCE				1	1			
22	1	129670-77430	ADJUSTER				1	1			
23	1	22137-080000	WASHER, 8				1	1			
24	1	22137-100000	WASHER, 10				2	2			
25	1	26106-080252	BOLT, M8X 25 PLATED				1	1			
26	1	26106-100302	BOLT, M10X 30 PLATED				1	1			
27	1	26106-100752	BOLT, M10X 75 PLATED				1	1			
28	1	26106-080652	BOLT, M8X 65 PLATED				1	1			

REFER TO Fig. 27

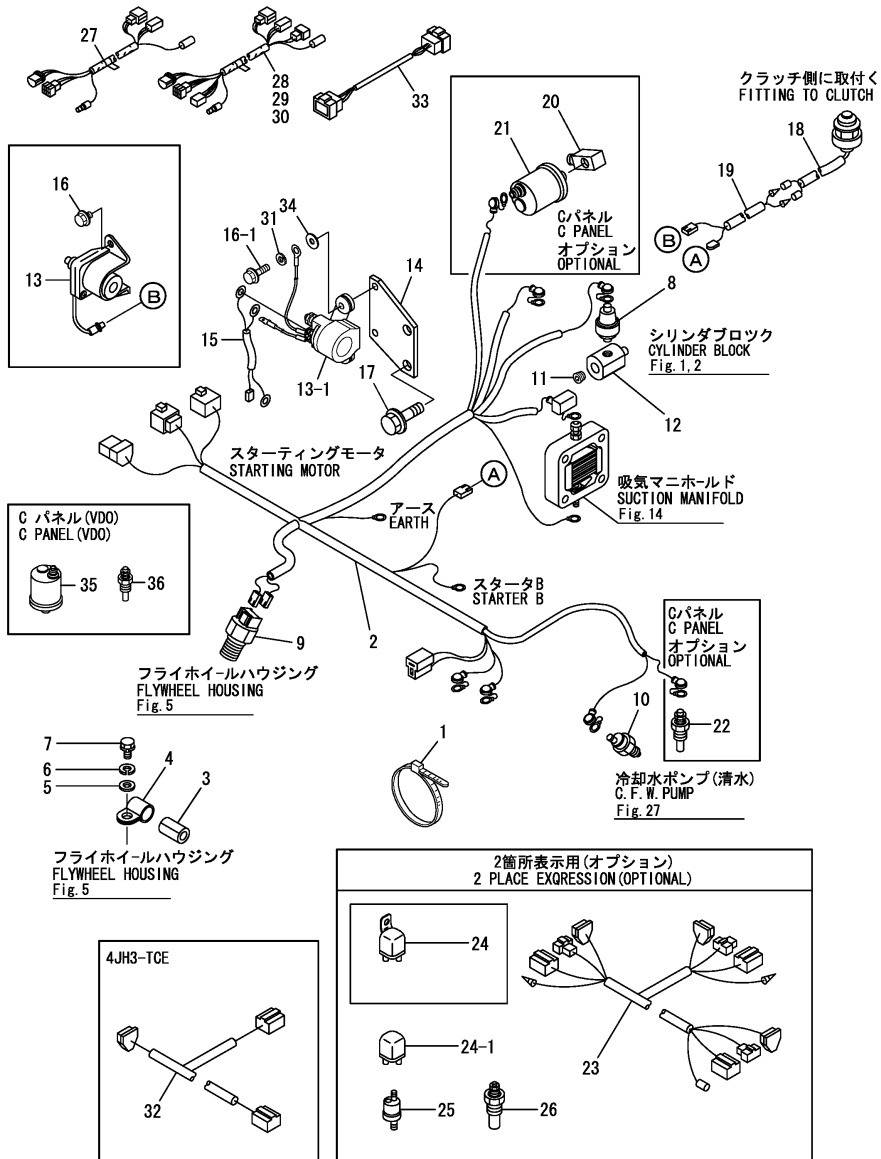


REFER TO Fig. 27

REFER TO Fig. 4

Remarks  
(1)INC. 9

Fig.54. WIRE HARNESS & SENSOR



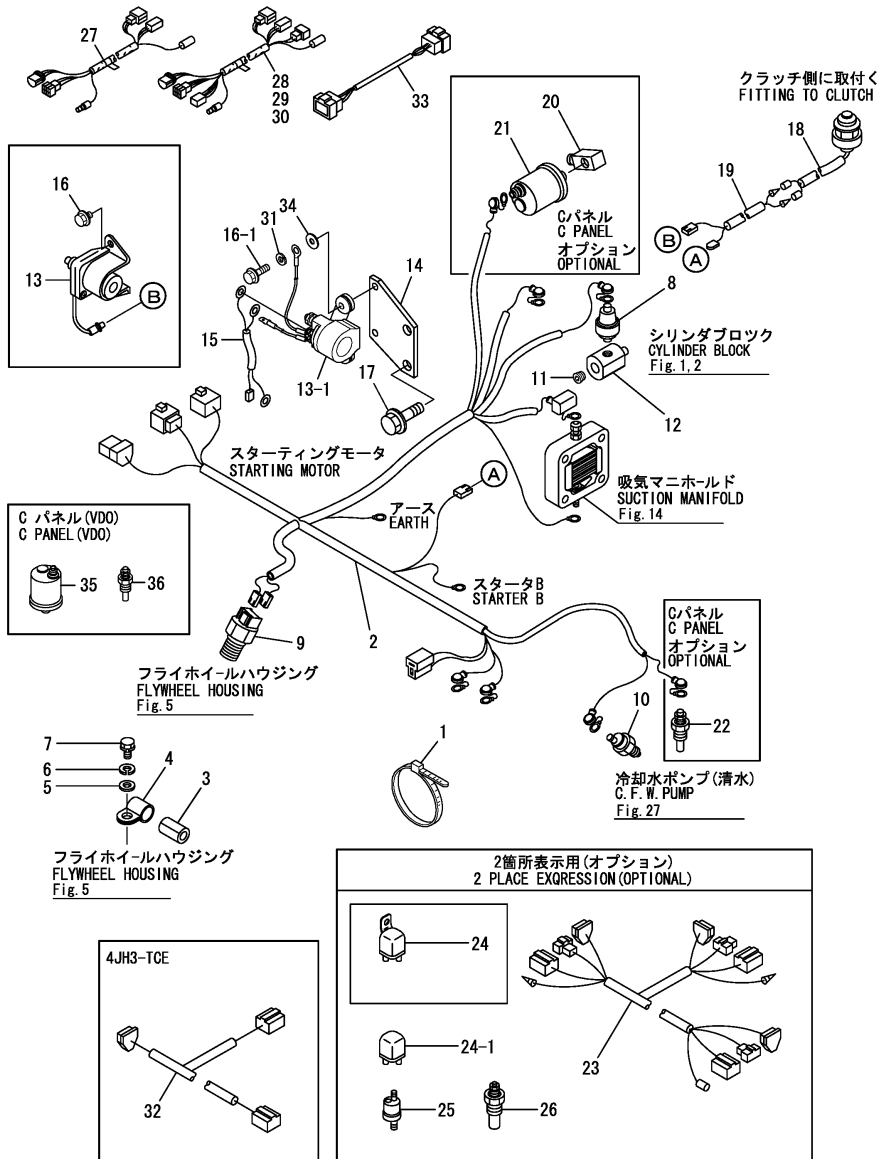
(A)=4JH3E  
(B)=4JH3CE  
(C)=4JH3CE1

(D)=4JH3-TE  
(E)=4JH3-TCE  
(F)=

No.	Lev.	Parts No.	Description	Q'ty						I	R
				(A)	(B)	(C)	(D)	(E)	(F)		
1	1	194250-51660	BAND, NYLON	1	1	1	1	1			
2	1	129573-77932	HARNESS, WIRE	1	1	1					
2A	1	129574-77911	HARNESS, WIRE				1	1			
3	1	124770-77940	PROTECTOR	1	1	1	1	1			
3-1	1	129670-77940	PROTECTOR	1	1	1	1	1		R	
		(A=*2008.02) (B=*2008.02) (C=*2008.02) (D=*2008.02) (E=*2008.02)									
4	1	124070-77950	CLAMP	1	1	1	1	1			
4-1	1	23297-180081	CLAMP, A18X 8	1	1	1	1	1		N	
		(A=*2008.01) (B=*2008.01) (C=*2008.01) (D=*2008.01) (E=*2008.01)									
5	1	22137-080000	WASHER, 8	1	1	1	1	1			
6	1	22217-080000	WASHER, SPRING 8	1	1	1	1	1			
7	1	26106-080162	BOLT, M8X 16 PLATED	1	1	1	1	1			
8	1	124060-39451	SWITCH, 0.2KG	1	1	1	1	1			
8-1	1	124060-39452	SWITCH, 0.2KG	1	1	1	1	1		N	
		(A=E24410) (B=E24410) (C=E24410) (D=E11839)									
9	1	128170-91160	SENSOR	1	1	1	1	1			
10	1	120130-91370	SWITCH, 100	1	1	1	1	1			
11	1	23871-010000	PLUG, R01	1	1						
11-1	1	129270-39620	PLUG, R1/8	1	1	1				N	
		(A=E20776) (B=E20776)									
11A	1	23876-010000	PLUG, R01					1	1		
12	1	43580-500680	DAMPER ASSY, PT1/8	1	1	1	1	1			
13	1	129490-77910	RELAY, STARTER	1	1	1	1	1			
13-1	1	119575-77510	RELAY, STARTER	1	1	1	1	1		F 1	
		(A=*2004.06) (B=*2004.06) (C=*2004.06) (D=*2004.06) (E=*2004.06)									
14	1	129573-77951	BRACKET	1	1	1	1	1			
14-1	1	129573-77952	BRACKET	1	1	1	1	1		S	
		(A=*2007.01) (B=*2007.01) (C=*2007.01) (D=*2007.01) (E=*2007.01)									
15	1	129573-77960	HARNESS, WIRE	1	1	1					
15A	1	177074-06350	HARNESS, WIRE				1	1			
16	1	26106-060082	BOLT, M6X 8 PLATED	2	2	2	2	2			
16-1	1	26106-060202	BOLT, M6X 20 PLATED	2	2	2	2	2		F 1	
		(A=*2004.06) (B=*2004.06) (C=*2004.06) (D=*2004.06) (E=*2004.06)									
17	1	26106-100162	BOLT, M10X 16 PLATED	2	2	2	2	2			
18	1	120270-77101	SWITCH, SAFETY	1	1	1	1	1			
19	1	129570-77960	HARNESS, WIRE	1	1	1	1	1			
20	1	123482-39670	DAMPER	1	1	1	1	1			
21	1	144626-91560	SENSOR	1	1			1			
21-1	1	119773-91500	SENDER	1	1	1	1			N	
		(A=E20387) (B=E20387) (D=*1997.07)									
21-2	1	119773-91501	SENSOR	1	1	1	1			N	
		(A=E23803) (B=E23803) (C=E23803) (D=E11493)									
22	1	144626-91570	SENDER UNIT	1	1	1	1	1			
23	1	129574-77980	HARNESS, WIRE	1	1	1	1	1			
24	1	124617-91850	RELAY	1	1	1	1				
24-1	1	119773-91850	RELAY	1	1	1	1	1		R	
		(A=E22643) (B=E22643) (C=E22643) (D=E10799)									
25	1	129574-91560	SENSOR	1	1	1	1	1			
25-1	1	129574-91561	SENSOR	1	1	1	1	1		R	
		(A=E25003) (B=E25003) (C=E25003) (D=E12191) (E=E12191)									
26	1	129574-91570	SENSOR	1	1	1	1	1			

Remarks  
(1)Interchangeable by simultaneous replacement with REF.No.13-1,16-1, 34.

Fig.54. WIRE HARNESS & SENSOR



(A)=4JH3E  
(B)=4JH3CE  
(C)=4JH3CE1

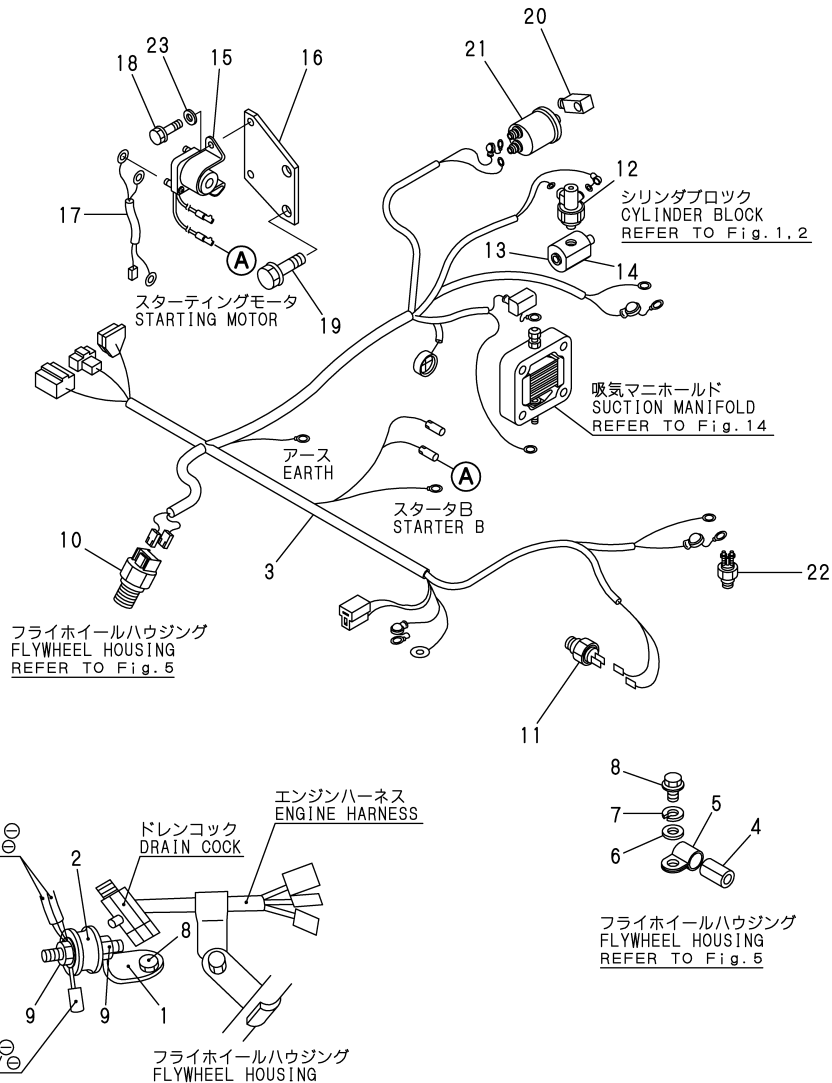
(D)=4JH3-TE  
(E)=4JH3-TCE  
(F)=

No.	Lev.	Parts No.	Description	Q'ty						I	R
				(A)	(B)	(C)	(D)	(E)	(F)		
27	1	128391-77720	HARNESS, WIRE	1	1	1	1	1			
28	1	129574-77710	HARNESS, WIRE 4M	1	1	1	1	1			
29	1	129574-77720	HARNESS, WIRE 6M	1	1	1	1	1			
30	1	129574-77740	HARNESS, WIRE 10M	1	1	1	1	1			
31	1	22217-060000	WASHER, SPRING 6	2	2	2	2	2			
32	1	129671-77900	HARNESS, WIRE						1		
33	1	129670-77990	ADAPTER	1	1	1	1	1		W	
		(A=E25638)	(B=E25638)	(C=E25638)	(D=E12811)	(E=E12811)					
34	1	183350-55130	WASHER	2	2	2	2	2		W 1	
		(A=*2004.06)	(B=*2004.06)	(C=*2004.06)	(D=*2004.06)	(E=*2004.06)					
35	1	119773-91650	SENSOR	1	1	1	1	1		W	
		(A=EZZZZZ)	(B=EZZZZZ)	(C=EZZZZZ)	(D=EZZZZZ)	(E=EZZZZZ)					
36	1	119773-91700	SENDER	1	1	1	1	1		W	
		(A=EZZZZZ)	(B=EZZZZZ)	(C=EZZZZZ)	(D=EZZZZZ)	(E=EZZZZZ)					

Remarks  
(1)Interchangeable by simultaneous replacement with REF.No.13-1,16-1, 34.

Fig.55. WIRE HARNESS(EARTH FLOAT TYPE)

P/C NEWS No.:Y00R4671-5  
PUBLISHED :2008/3

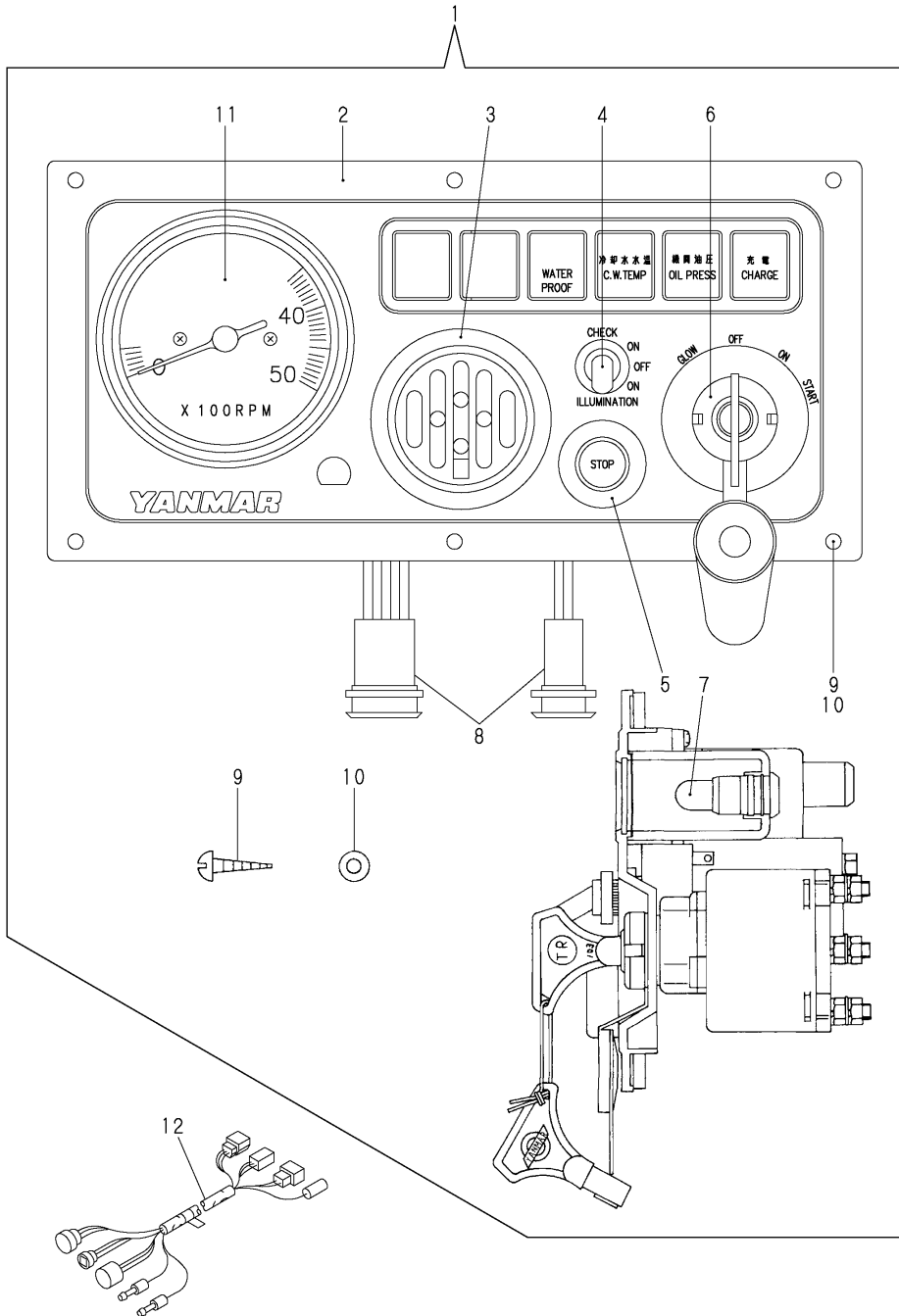


(A)=4JH3E  
(B)=4JH3CE  
(C)=4JH3CE1

(D)=4JH3-TE  
(E)=4JH3-TCE  
(F)=

No.	Lev.	Parts No.	Description	Q'ty						I	R
				(A)	(B)	(C)	(D)	(E)	(F)		
1	1	129590-59200	RETAINER, PIPE	1	1	1	1	1			
2	1	194555-62750	RUBBER, ABSORBER	1	1	1	1	1			
3	1	129570-77820	HARNESS, WIRE	1	1	1					
3A	1	129574-77820	HARNESS, WIRE					1	1		
4	1	124770-77940	PROTECTOR	1	1	1	1	1			
4-1	1	129670-77940	PROTECTOR	1	1	1	1	1		R	
		(A=*2008.02)	(B=*2008.02)	(C=*2008.02)	(D=*2008.02)	(E=*2008.02)					
5	1	124070-77950	CLAMP	1	1	1	1	1	1		
6	1	22137-080000	WASHER, 8	1	1	1	1	1	1		
7	1	22217-080000	WASHER, SPRING 8	1	1	1	1	1	1		
8	1	26106-080142	BOLT, M8X 14 PLATED	2	2	2	2	2	2		
9	1	26716-080002	NUT, M8	2	2	2	2	2	2		
10	1	128170-91160	SENSOR	1	1	1	1	1	1		
11	1	129570-91320	SWITCH, 100	1	1	1	1	1	1		
12	1	126630-91591	SWITCH,OIL PRESSURE	1	1	1	1	1	1		
13	1	23876-010000	PLUG, R01	1	1	1	1	1	1		
14	1	43580-500680	DAMPER ASSY, PT1/8	1	1	1	1	1	1		
15	1	129570-77920	RELAY, STARTER	1	1	1	1	1	1		
16	1	129573-77951	BRACKET	1	1	1	1	1	1		
16-1	1	129573-77952	BRACKET	1	1	1	1	1	1	S	
		(A=*2007.01)	(B=*2007.01)	(C=*2007.01)	(D=*2007.01)	(E=*2007.01)					
17	1	129573-77960	HARNESS, WIRE	1	1	1	1	1	1		
18	1	26106-060082	BOLT, M6X 8 PLATED	2	2	2	2	2	2		
19	1	26106-100162	BOLT, M10X 16 PLATED	2	2	2	2	2	2		
20	1	123482-39670	DAMPER	1	1	1	1	1	1		
21	1	126630-91560	SENDER UNIT	1	1	1	1	1	1		
21-1	1	119773-91520	SENDER UNIT	1	1	1	1	1	1	R	
		(A=E/#25003)	(B=E/#25003)	(C=E/#25003)	(D=E/#12191)	(E=E/#12191)					
22	1	126630-91570	SENDER UNIT	1	1	1	1	1	1		
23	1	22217-060000	WASHER, SPRING 6	2	2	2	2	2	2		

Fig.56. INSTRUMENT PANEL(B:4JH3E)



(A)=4JH3E  
(B)=4JH3CE  
(C)=4JH3CE1

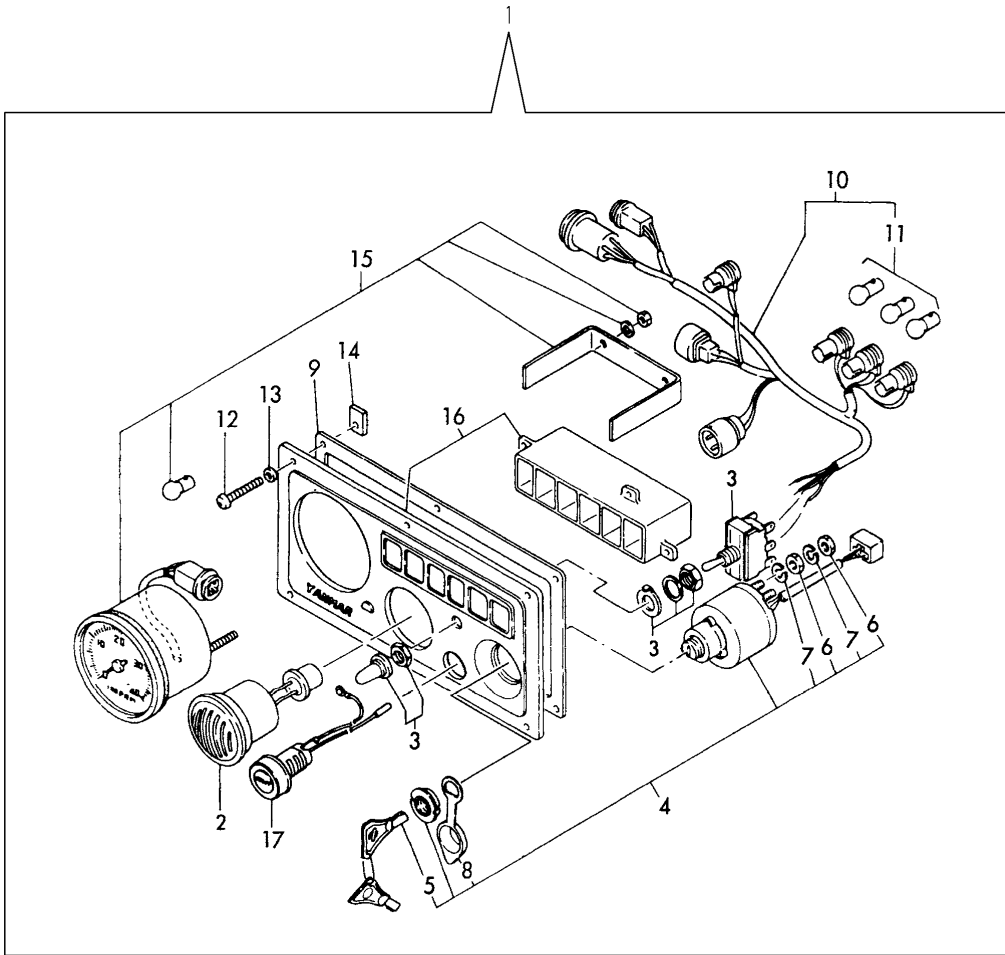
(D)=4JH3-TE  
(E)=4JH3-TCE  
(F)=

No.	Lev.	Parts No.	Description	Q'ty						I	R
				(A)	(B)	(C)	(D)	(E)	(F)		
1	1	129670-91110	PANEL ASSY, B	1	1	1					
2	2	129495-91010	BODY, PANEL	1	1	1					
3	2	104271-91352	BUZZER	1	1	1					
4	2	128170-91310	SWITCH	1	1	1					
5	2	129470-91190	SWITCH, STOP	1	1	1					
6	2	127412-91250	SWITCH, KEY	1	1	1					
7	2	124617-91920	BULB, 12V-3W	4	4	4					
8	2	129171-91850	HARNES, WIRE	1	1	1					
9	2	128170-91810	SCREW, M5X35	6	6	6					
10	2	128170-91820	WASHER, 5	6	6	6					
11	2	129670-91200	TACHOMETER	1	1	1					
12	1	129574-77860	HARNES, WIRE	1	1	1					

Fig.57. INSTRUMENT PANEL(B:4JH3-TE)

(A)=4JH3E  
(B)=4JH3CE  
(C)=4JH3CE1

(D)=4JH3-TE  
(E)=4JH3-TCE  
(F)=



No.	Lev.	Parts No.	Description	Q'ty						I	R
				(A)	(B)	(C)	(D)	(E)	(F)		
1	1	124411-91190	PANEL ASSY				1	1			
1-1	1	124411-91191	PANEL ASSY, B				1	1			N
			(D=E/#12387)								
			(E=E/#12387)								
2	2	104271-91351	BUZZER				1	1			
3	2	128170-91310	SWITCH				1	1			
4	2	127412-91250	SWITCH, KEY				1	1			
5	3	123482-91291	KEY				1	1			
6	3	26716-050002	NUT, M5				10	10			
7	3	22217-050000	WASHER, SPRING 5				10	10			
8	3	127620-91820	COVER				1	1			
9	2	128170-91020	GASKET				1	1			
10	2	128170-91031	HARNES, WIRE				1	1			
11	3	194151-55820	BULB, 12V3.4W				3	3			
12	2	128170-91810	SCREW, M5X35				6	6			
13	2	128170-91820	WASHER, 5				6	6			
14	2	128170-91830	NUT, M5				6	6			
15	2	128696-91100	TACHOMETER				1	1			
16	2	124411-91010	BODY, PANEL				1	1			
17	2	129470-91190	SWITCH, STOP				1	1			
18	1	129574-77860	HARNES, WIRE				1	1			Z
			(D=E/#12387)								
			(E=E/#12387)								
19	1	127610-77710	HARNES, WIRE 3.8M				1	1			
20	1	119171-77701	HARNES, WIRE 6M				1	1			

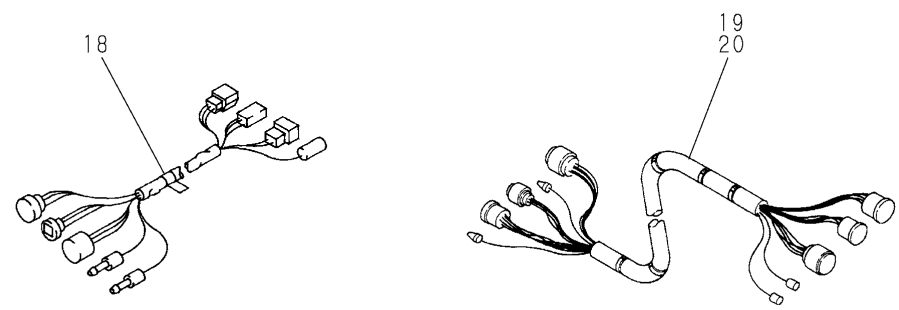
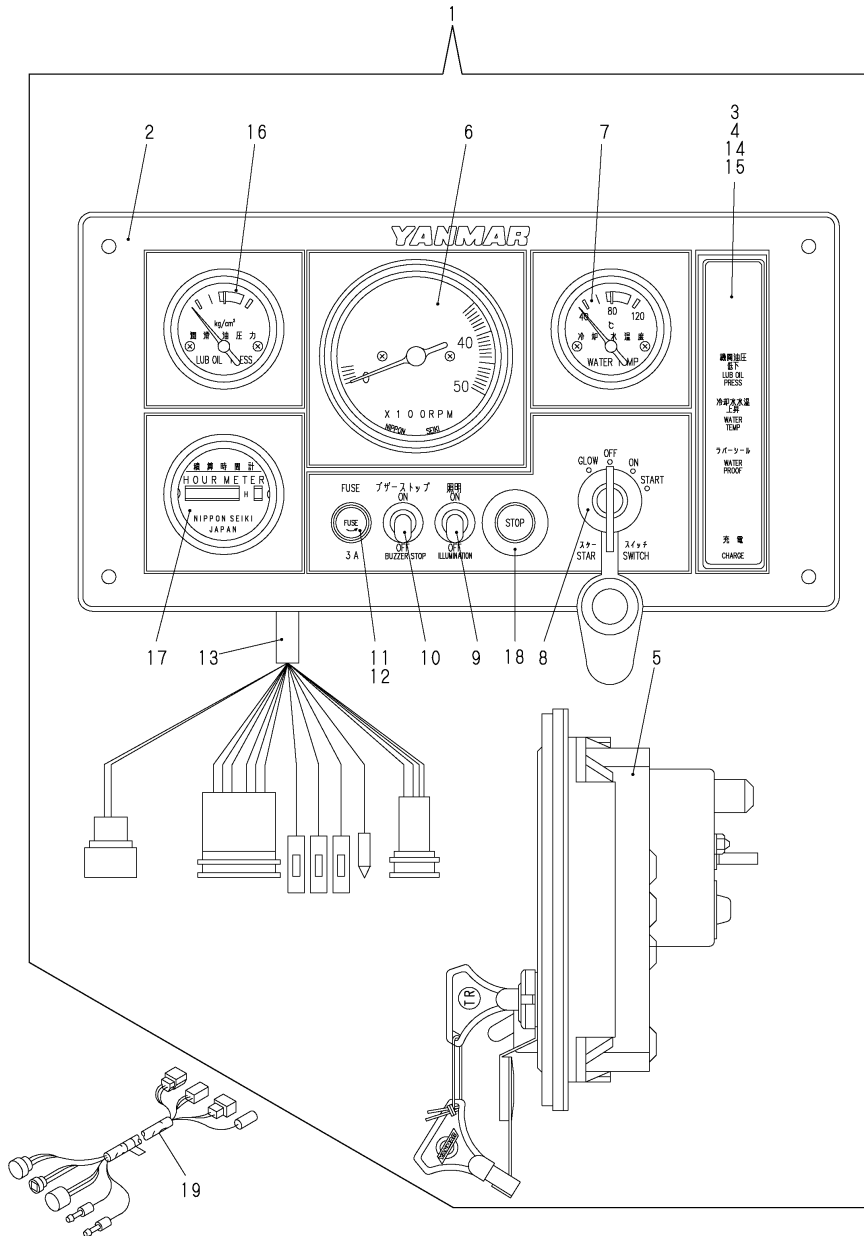




Fig.58. INSTRUMENT PANEL(C:4JH3E:PREVIOUS)

(A)=4JH3E  
(B)=4JH3CE  
(C)=4JH3CE1

(D)=4JH3-TE  
(E)=4JH3-TCE  
(F)=



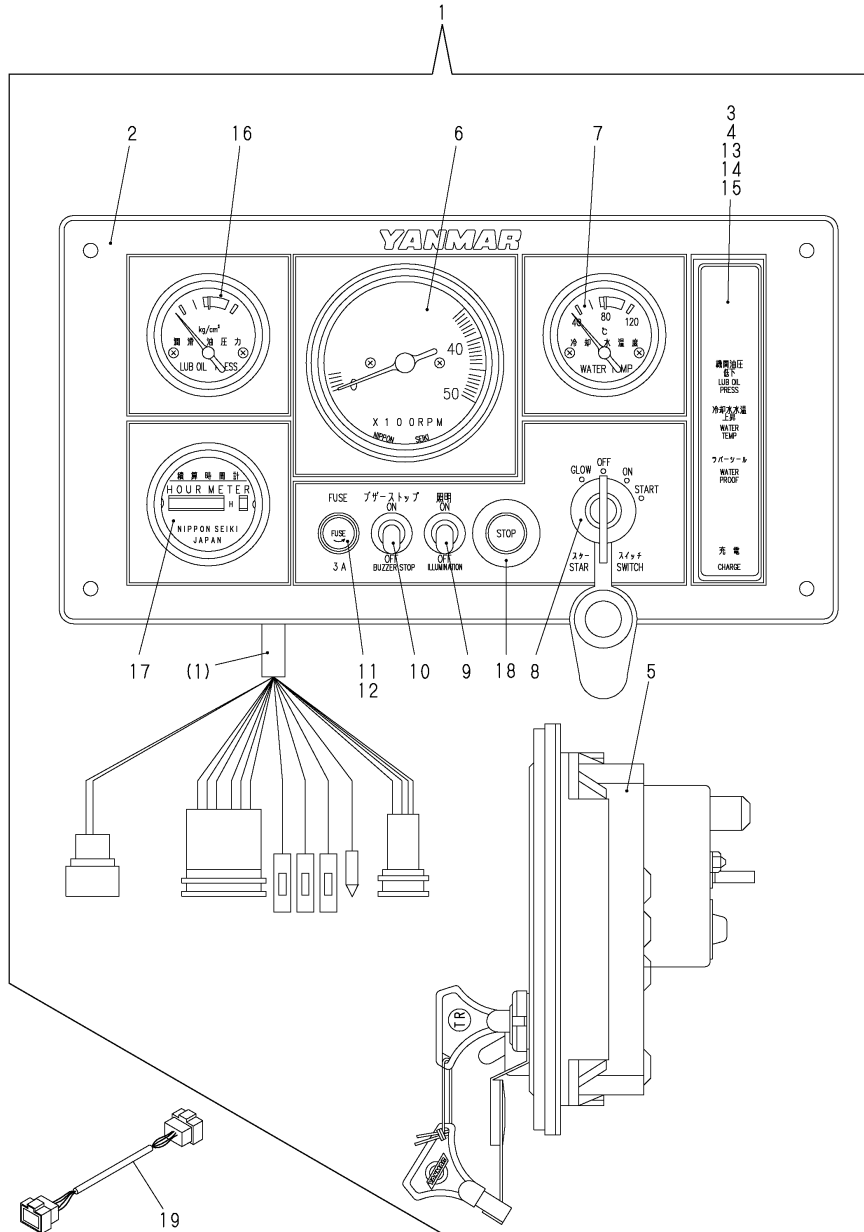
No.	Lev.	Parts No.	Description	Q'ty						I	R
				(A)	(B)	(C)	(D)	(E)	(F)		
1	1	129171-91171	PANEL ASSY	1	1						
1-1	1	129171-91172	PANEL ASSY, C	1	1						S
		(A=E/#22126) (B=E/#22126)									
1-2	1	129171-91172	PANEL ASSY, C	1	1	1					Z 1
		(A=E/#25155) (B=E/#25155) (C=E/#25155)									
2	2	129470-91180	BODY, PANEL	1	1	1					
3	2	129171-91600	LENS ASSY	1	1	1					
4	3	127410-91600	LENS	1	1	1					
5	2	127410-91620	BODY	1	1	1					
6	2	129171-91200	TACHOMETER ASSY	1	1	1					
7	2	124617-91840	THERMOMETER, WATER	1	1	1					
8	2	121575-91250	SWITCH, KEY	1	1	1					
9	2	127687-91790	SWITCH	1	1	1					
10	2	128270-91350	BUZZER, ALARM	1	1	1					
11	2	46150-003610	BOX(WITH OUT FUSE	1	1	1					
12	3	46150-003620	FUSE	1	1	1					
13	2	129171-91880	HARNES, WIRE	1	1	1					
14	2	124617-91920	BULB, 12V-3W	1	1	1					
15	2	194555-55820	BULB, 12V1.7W	7	7	7					
16	2	129470-91160	GAUGE	1	1						
16-1	2	129470-91161	METER	1	1	1					S
		(A=E/#22126) (B=E/#22126)									
17	2	157854-04300	HOUR METER	1	1	1					
18	2	129470-91190	SWITCH, STOP	1	1	1					
19	1	129574-77860	HARNES, WIRE	1	1	1					Z
		(A=E/#25155) (B=E/#25155) (C=E/#25155)									

Remarks  
(1)INTERCHANGEABILITY IS <N> WITH  
FIG.59 REF.NO.1.

Fig.59. INSTRUMENT PANEL(C:4JH3E)

(A)=4JH3E  
(B)=4JH3CE  
(C)=4JH3CE1

(D)=4JH3-TE  
(E)=4JH3-TCE  
(F)=



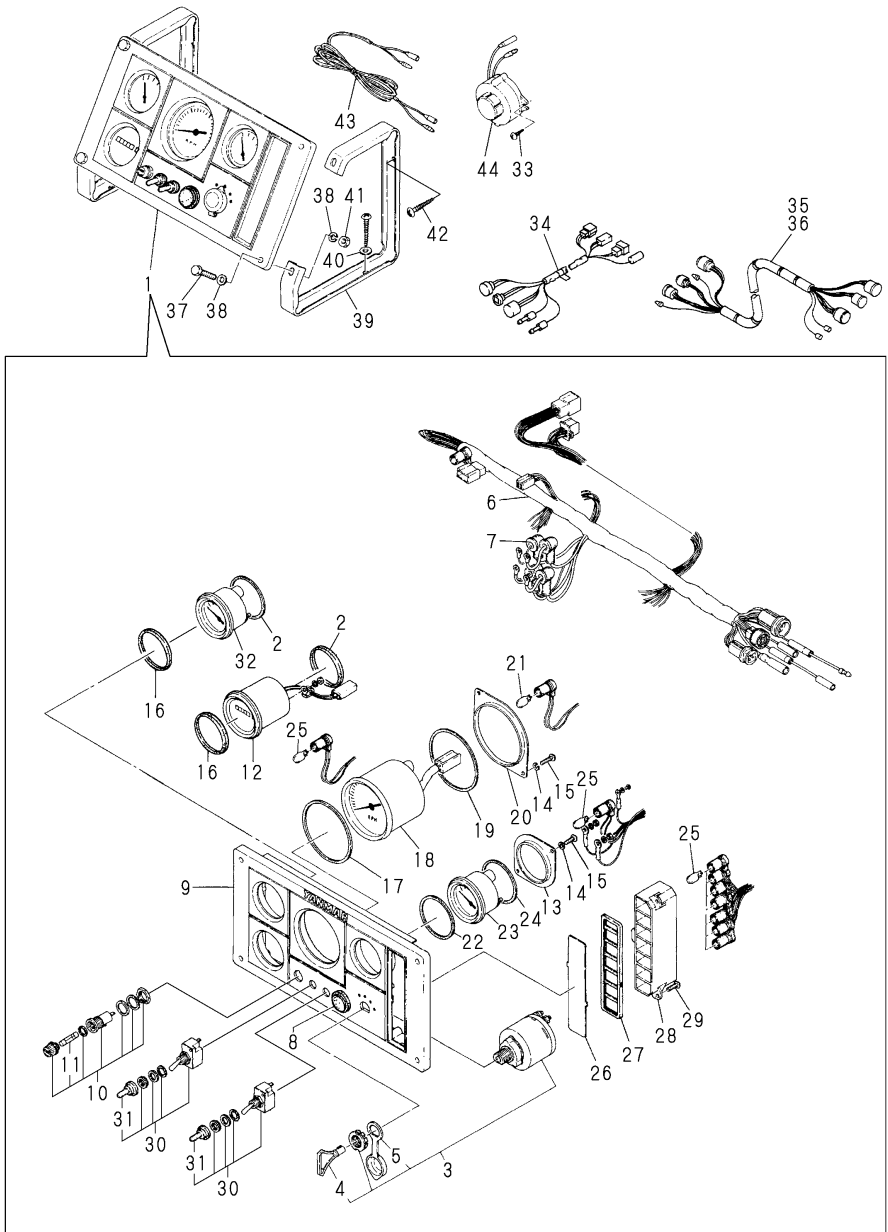
No.	Lev.	Parts No.	Description	Q'ty						I	R
				(A)	(B)	(C)	(D)	(E)	(F)		
1	1	129171-91173	PANEL ASSY, C (A=E/#25155) (B=E/#25155) (C=E/#25155)	1	1	1					W
1-1	1	129171-91174	PANEL ASSY, C (A=E/#25638) (B=E/#25638) (C=E/#25638)	1	1	1					F 1
2	2	129470-91180	BODY, PANEL	1	1	1					
3	2	129171-91600	LENS ASSY	1	1	1					
4	3	127410-91600	LENS	1	1	1					
5	2	127410-91620	BODY	1	1	1					
6	2	129171-91200	TACHOMETER ASSY	1	1	1					
7	2	124617-91840	THERMOMETER, WATER	1	1	1					
8	2	121575-91250	SWITCH, KEY	1	1	1					
9	2	127687-91790	SWITCH	1	1	1					
10	2	128270-91350	BUZZER, ALARM	1	1	1					
11	2	46150-003610	BOX(WITH OUT FUSE)	1	1	1					
12	3	46150-003620	FUSE	1	1	1					
13	2	127410-91610	RETAINER	1	1	1					
14	2	124617-91920	BULB, 12V-3W	1	1	1					
15	2	194555-55820	BULB, 12V1.7W	7	7	7					
16	2	129470-91161	METER	1	1	1					
17	2	157854-04300	HOUR METER	1	1	1					
18	2	129470-91190	SWITCH, STOP	1	1	1					
19	1	129670-77990	ADAPTER (A=E/#25638) (B=E/#25638) (C=E/#25638)	1	1	1					W

Remarks  
(1)INTERCHANGEABLE BY SIMULTANEOUS REPLACEMENT WITH REF.NO.19.

Fig.60. INSTRUMENT PANEL(C:4JH3-TE)

(A)=4JH3E  
(B)=4JH3CE  
(C)=4JH3CE1

(D)=4JH3-TE  
(E)=4JH3-TCE  
(F)=



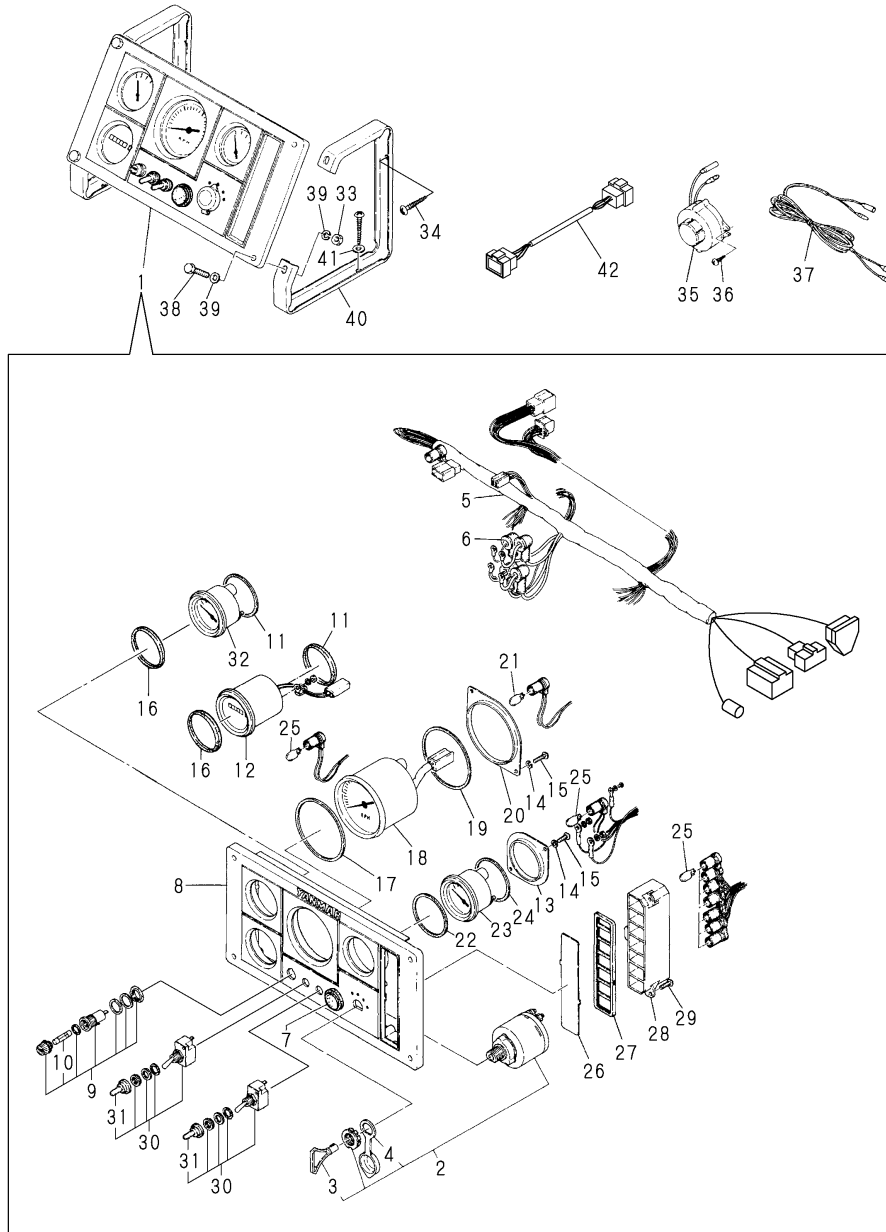
No.	Lev.	Parts No.	Description	Q'ty						I	R
				(A)	(B)	(C)	(D)	(E)	(F)		
1	1	129470-91100	PANEL ASSY				1				
1-1	1	129470-91101	PANEL ASSY, C				1				S
				(D=E/#10584)							
1-2	1	129470-91101	PANEL ASSY, C				1	1			Z 1
				(D=E/#12387) (E=E/#12387)							
2	2	127410-91590	GASKET				2	2			
3	2	121575-91250	SWITCH, KEY				1	1			
4	3	123482-91291	KEY				2	2			
5	3	127620-91820	COVER				1	1			
6	2	129470-91150	HARNESS ASSY, WIRE				1	1			
7	2	127620-91830	CAP, RUBBER				4	4			
8	2	129470-91190	SWITCH, STOP				1	1			
9	2	129470-91180	BODY, PANEL				1	1			
10	2	46150-003610	BOX(WITH OUT FUSE)				1	1			
11	3	124617-91990	FUSE				3	3			
12	2	157854-04300	HOUR METER				1	1			
13	2	127410-91510	BRACKET				3	3			
14	2	127410-91520	WASHER				8	8			
15	2	127410-91530	SCREW				8	8			
16	2	127410-91580	GASKET				2	2			
17	2	127410-91550	GASKET				1	1			
18	2	129470-91170	TACHOMETER				1	1			
19	2	127410-91560	GASKET				1	1			
20	2	127410-91570	BRACKET				1	1			
21	2	124617-91920	BULB, 12V-3W				1	1			
22	2	127410-91580	GASKET				1	1			
23	2	124617-91840	THERMOMETER, WATER				1	1			
24	2	127410-91590	GASKET				1	1			
25	2	124617-91980	BULB, 12V-1.7W				6	6			
26	2	127410-91600	LENS				1	1			
27	2	127410-91610	RETAINER				1	1			
28	2	127410-91620	BODY				1	1			
29	2	127410-91630	SCREW				3	3			
30	2	127620-91790	SWITCH				2	2			
31	3	127620-91780	CAP, RUBBER				2	2			
32	2	129470-91160	GAUGE				1				
32-1	2	129470-91161	METER				1	1			S
				(D=E/#10584)							
33	1	22717-410160	SCREW, 4.1X16				2	2			
34	1	129574-77860	HARNESS, WIRE				1	1			Z
				(D=E/#12387) (E=E/#12387)							
35	1	127610-77710	HARNESS, WIRE 3.8M				1	1			
36	1	119171-77701	HARNESS, WIRE 6M				1	1			
37	1	127620-91500	SCREW				4	4			
38	1	127620-91510	WASHER				8	8			
39	1	127410-91680	BRACKET, PANEL				2	2			
40	1	127620-91560	WASHER				4	4			
41	1	127620-91550	NUT				4	4			
42	1	127620-91570	SCREW				4	4			
43	1	127620-91580	HARNESS, WIRE				1	1			
44	1	124617-91900	BUZZER				1	1			

Remarks  
(1)INTERCHANGEABILITY IS <N> WITH  
FIG.61 REF.NO.1.

Fig.61. INSTRUMENT PANEL(C:4JH3-TE)

(A)=4JH3E  
(B)=4JH3CE  
(C)=4JH3CE1

(D)=4JH3-TE  
(E)=4JH3-TCE  
(F)=



No.	Lev.	Parts No.	Description	Q'ty						I	R
				(A)	(B)	(C)	(D)	(E)	(F)		
1	1	129470-91102	PANEL ASSY, C				1	1			W
			(D=E/#12387)		(E=E/#12387)						
1-1	1	129470-91103	PANEL ASSY, C				1	1			F 1
			(D=E/#12811)		(E=E/#12811)						
2	2	121575-91250	SWITCH, KEY				1	1			
3	3	123482-91291	KEY				2	2			
4	3	127620-91820	COVER				1	1			
5	2	129171-91880	HARNES, WIRE				1	1			
6	2	127620-91830	CAP, RUBBER				4	4			
7	2	129470-91190	SWITCH, STOP				1	1			
8	2	129470-91180	BODY, PANEL				1	1			
9	2	46150-003620	FUSE				1	1			
10	3	124617-91990	FUSE				3	3			
11	2	127410-91590	GASKET				2	2			
12	2	157854-04300	HOUR METER				1	1			
13	2	127410-91510	BRACKET				3	3			
14	2	127410-91520	WASHER				8	8			
15	2	127410-91530	SCREW				8	8			
16	2	127410-91580	GASKET				2	2			
17	2	127410-91550	GASKET				1	1			
18	2	129470-91170	TACHOMETER				1	1			
19	2	127410-91560	GASKET				1	1			
20	2	127410-91570	BRACKET				1	1			
21	2	124617-91920	BULB, 12V-3W				1	1			
22	2	127410-91580	GASKET				1	1			
23	2	124617-91840	THERMOMETER, WATER				1	1			
24	2	127410-91590	GASKET				1	1			
25	2	194555-55820	BULB, 12V1.7W				6	6			
26	2	127410-91600	LENS				1	1			
27	2	127410-91610	RETAINER				1	1			
28	2	127410-91620	BODY				1	1			
29	2	127410-91630	SCREW				3	3			
30	2	127687-91790	SWITCH				2	2			
31	3	127620-91780	CAP, RUBBER				2	2			
32	2	129470-91161	METER				1	1			
33	1	127620-91550	NUT				4	4			
34	1	127620-91570	SCREW				4	4			
35	1	124617-91900	BUZZER				1	1			
36	1	22717-410160	SCREW, 4.1X16				1	1			
37	1	127620-91580	HARNES, WIRE				1	1			
38	1	127620-91500	SCREW				4	4			
39	1	127620-91510	WASHER				8	8			
40	1	127410-91680	BRACKET, PANEL				2	2			
41	1	127620-91560	WASHER				4	4			
42	1	129670-77990	ADAPTER				1	1			W

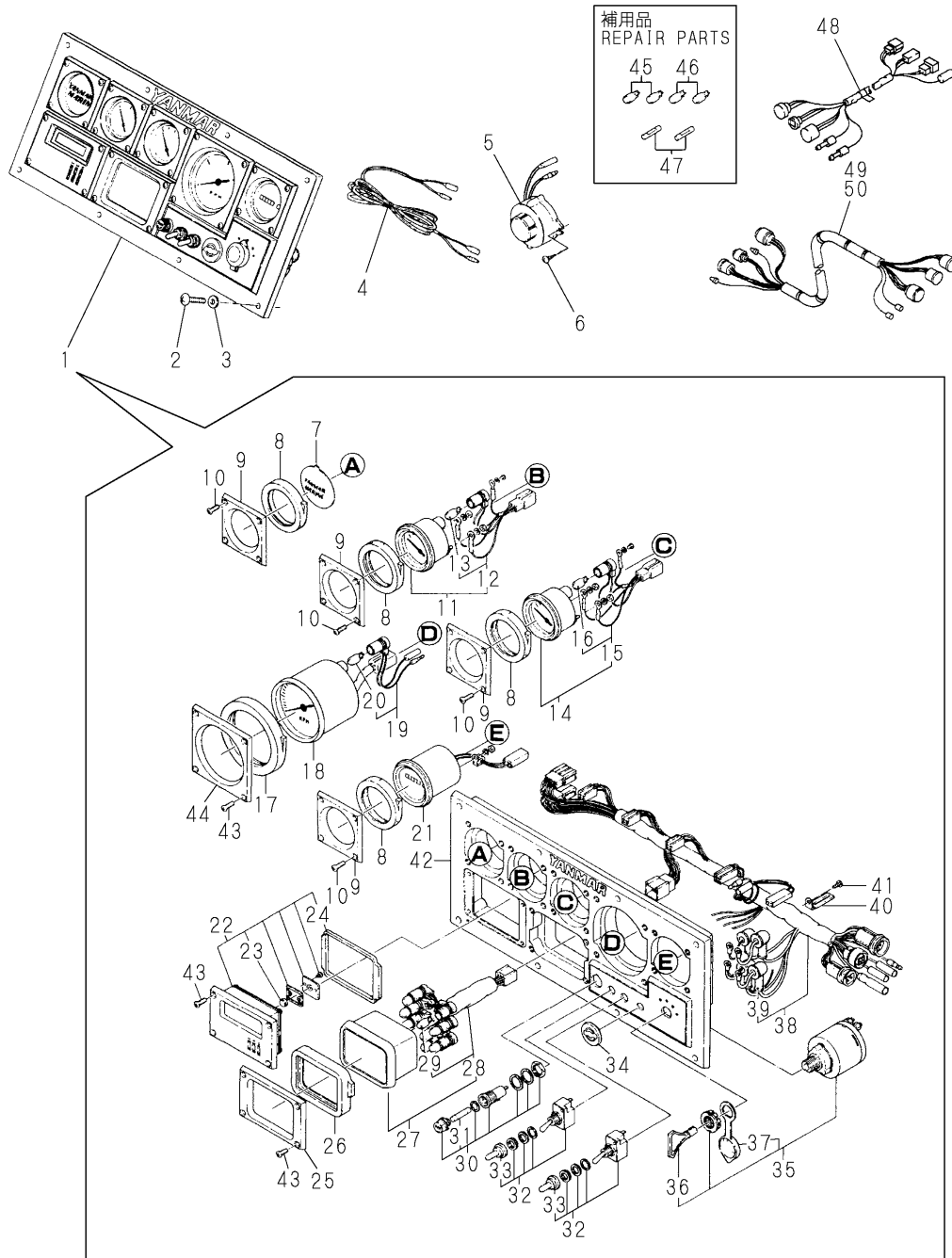
(D=E/#12811) (E=E/#12811)

Remarks  
(1)INTERCHANGEABLE BY SIMULTANEOUS  
REPLACEMENT WITH REF.NO.42.

Fig.62. INSTRUMENT PANEL(D:4JH3-TE)

(A)=4JH3E  
(B)=4JH3CE  
(C)=4JH3CE1

(D)=4JH3-TE  
(E)=4JH3-TCE  
(F)=

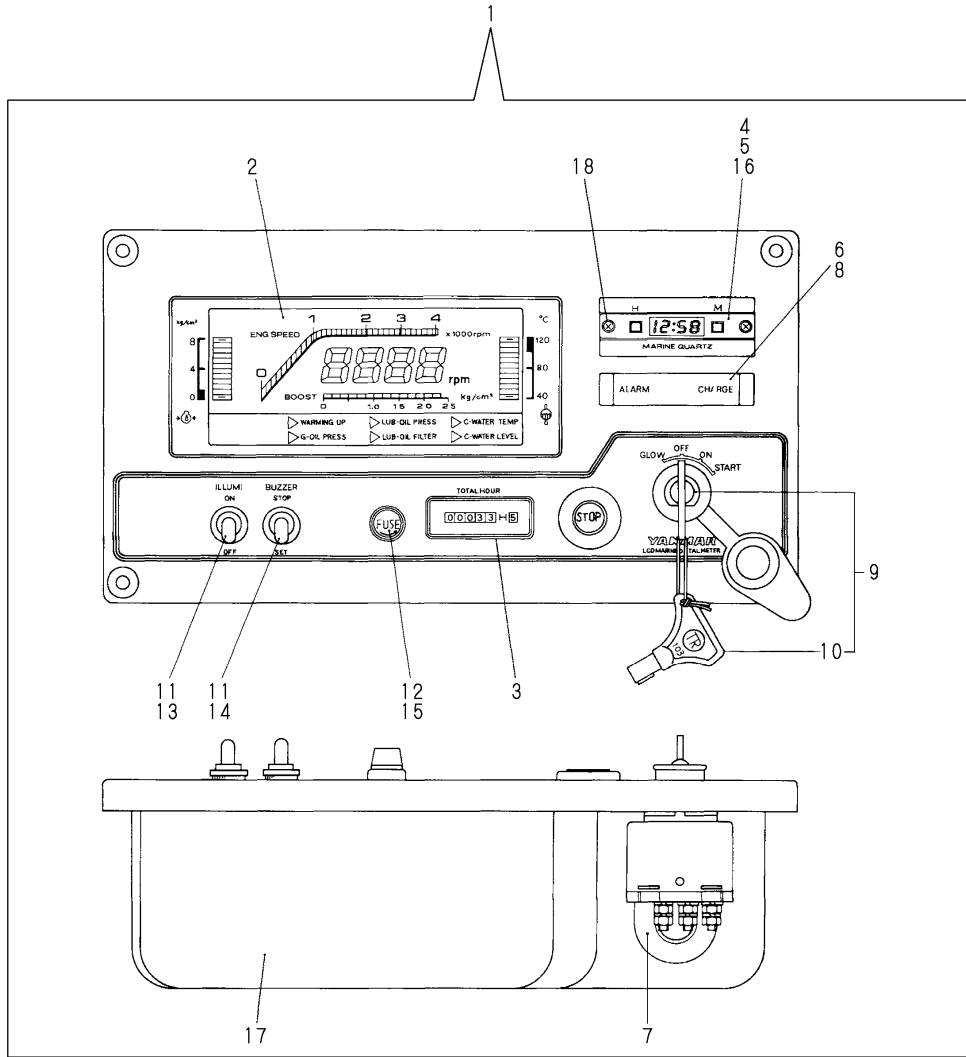


No.	Lev.	Parts No.	Description	Q'ty						I	R
				(A)	(B)	(C)	(D)	(E)	(F)		
1	1	124411-91180	PANEL ASSY				1	1			
2	2	127620-91860	RETAINER				1	1			
3	2	127620-91870	SCREW				1	1			
4	2	127620-91930	PANEL				1	1			
5	2	127620-91630	SCREW				12	12			
6	2	127620-91410	BRACKET				1	1			
7	2	127620-91600	COVER				1	1			
8	2	127620-91610	RUBBER				4	4			
9	2	127620-91620	BRACKET				4	4			
10	2	127620-91630	SCREW				16	16			
11	2	124617-91830	GAUGE				1	1			
12	3	124617-91910	HARNESS, WIRE				1	1			
13	4	124617-91920	BULB, 12V-3W				1	1			
14	2	124617-91840	THERMOMETER, WATER				1	1			
15	3	124617-91930	HARNESS, WIRE				1	1			
16	4	124617-91920	BULB, 12V-3W				1	1			
17	2	127620-91690	RUBBER				1	1			
18	2	128696-91100	TACHOMETER				1	1			
19	2	124617-91950	HARNESS, WIRE				1	1			
20	3	124617-91920	BULB, 12V-3W				1	1			
21	2	124617-91820	METER, HOUR				1	1			
22	2	127620-91240	TIMER				1	1			
23	3	127620-91250	CELL				1	1			
24	3	127620-91720	GASKET				1	1			
25	2	127620-91730	BRACKET				1	1			
26	3	127620-91740	RUBBER				1	1			
27	2	124617-91810	BOX ASSY, PILOT				1	1			
28	3	124617-91970	HARNESS, WIRE				1	1			
29	4	124617-91980	BULB, 12V-1.7W				8	8			
30	2	46150-003610	BOX(WITH OUT FUSE				1	1			
31	3	124617-91990	FUSE				1	1			
32	2	127620-91790	SWITCH				2	2			
33	3	127620-91780	CAP, RUBBER				2	2			
34	2	127620-91810	PLUG				1	1			
35	2	121575-91250	SWITCH, KEY				1	1			
36	3	123482-91291	KEY				2	2			
37	3	127620-91820	COVER				1	1			
38	2	124617-91940	HARNESS, WIRE				1	1			
39	3	127620-91830	CAP, RUBBER				4	4			
40	1	129574-77860	HARNESS, WIRE				1	1			
41	1	119171-77701	HARNESS, WIRE 6M				1	1			
42	1	127610-77710	HARNESS, WIRE 3.8M				1	1			
43	1	127620-91500	SCREW				8	8			
44	1	127620-91510	WASHER				8	8			
45	1	127620-91580	HARNESS, WIRE				1	1			
46	1	124617-91900	BUZZER				1	1			
47	1	22717-410160	SCREW, 4.1X16				2	2			

Fig.63. INSTRUMENT PANEL(E:4JH3-TE)

(A)=4JH3E  
(B)=4JH3CE  
(C)=4JH3CE1

(D)=4JH3-TE  
(E)=4JH3-TCE  
(F)=



No.	Lev.	Parts No.	Description	Q'ty						I	R
				(A)	(B)	(C)	(D)	(E)	(F)		
1	1	119171-91180	PANNEL ASSY				1	1			
2	2	127687-91210	LCD ASSY				1	1			
3	2	120147-91230	HOUR METER				1	1			
4	2	120147-91760	BULB				1	1			
5	2	127687-91240	CLOCK ASSY				1	1			
6	2	127687-91220	PILOT BOX ASSY				1	1			
7	2	127687-91800	GROMMET				1	1			
8	2	124617-91920	BULB, 12V-3W				4	4			
9	2	127412-91250	SWITCH, KEY				1	1			
10	3	123482-91291	KEY				2	2			
11	2	127687-91770	CAP				2	2			
12	2	46150-003610	BOX(WITH OUT FUSE)				1	1			
13	2	127687-91790	SWITCH				1	1			
14	2	127687-91780	SWITCH				1	1			
15	2	46150-003620	FUSE				1	1			
16	2	127687-91250	GASKET				1	1			
17	2	127687-91840	COVER				1	1			
18	2	127687-91890	SCREW				2	2			
19	1	124617-91900	BUZZER				1	1			
20	1	127620-91580	HARNES, WIRE				1	1			
21	1	129574-77860	HARNES, WIRE				1	1			
22	1	119171-77701	HARNES, WIRE 6M				1	1			
23	1	127610-77710	HARNES, WIRE 3.8M				1	1			

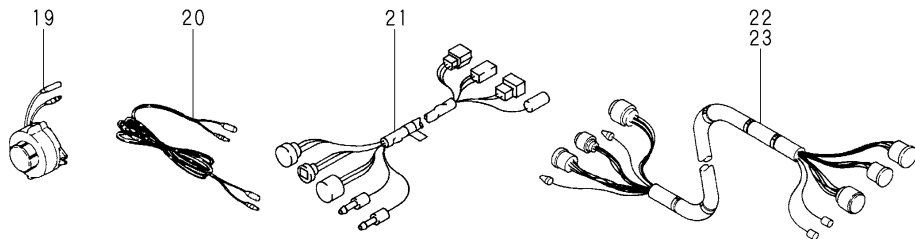
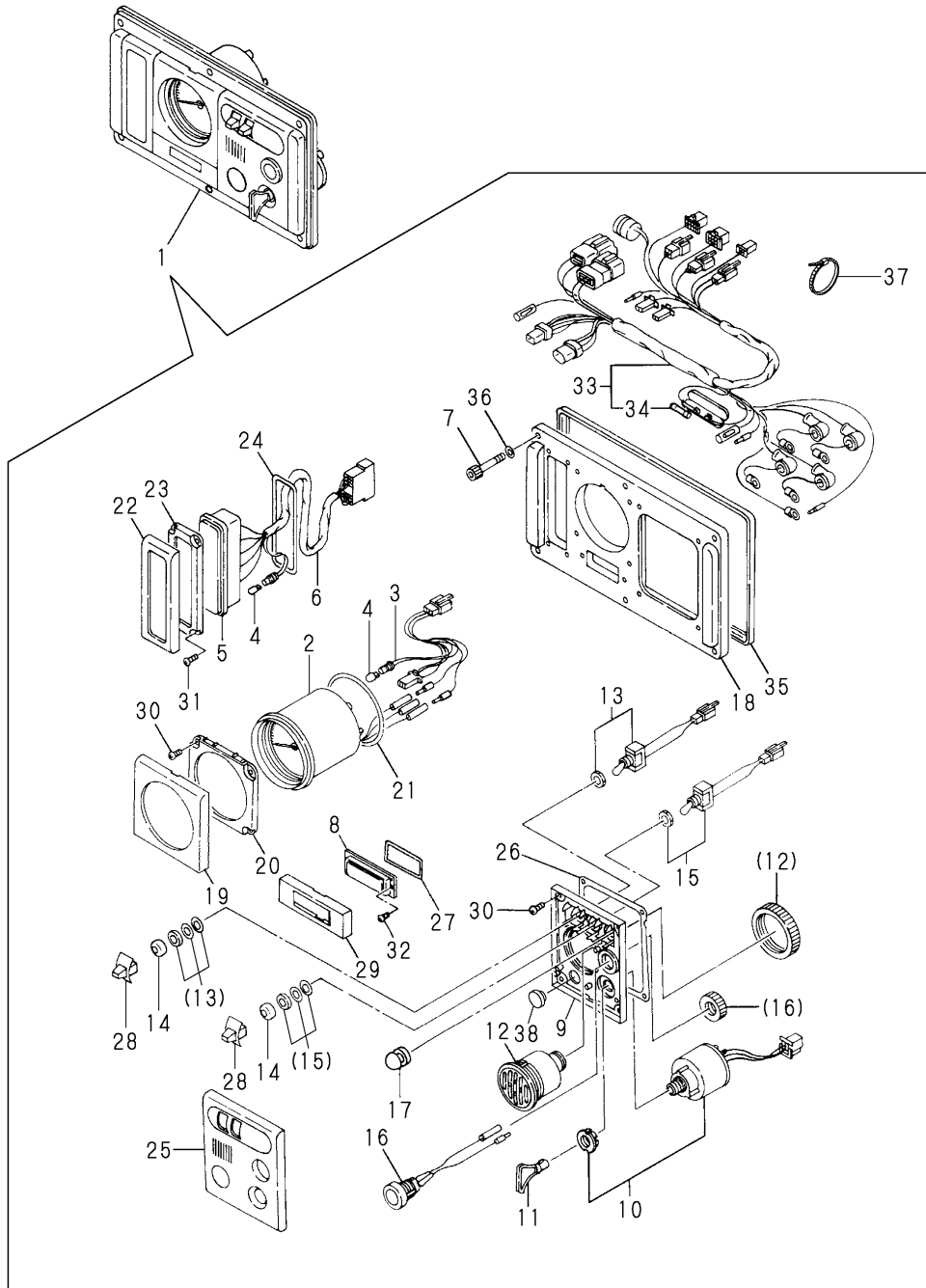


Fig.64. PANEL(B:NEW TYPE:4JH3E)

(A)=4JH3E  
(B)=4JH3CE  
(C)=4JH3CE1

(D)=4JH3-TE  
(E)=4JH3-TCE  
(F)=

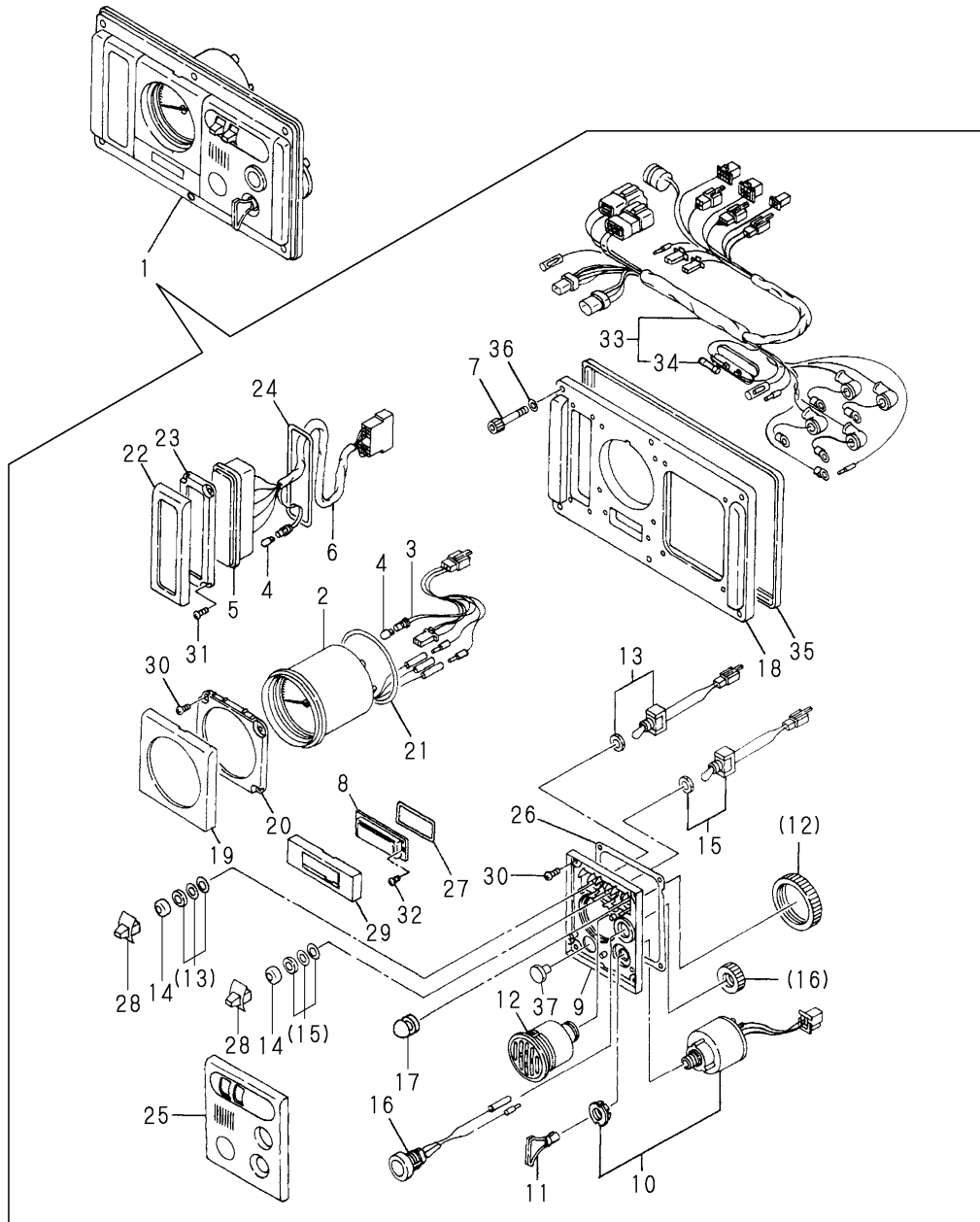


No.	Lev.	Parts No.	Description	Q'ty						I	R
				(A)	(B)	(C)	(D)	(E)	(F)		
1	1	129670-91130	PANEL ASSY, B	1	1	1					
2	2	119773-91200	METER, TACHO./HOUR	1	1	1					
3	2	129574-91870	HARNESS, WIRE	1	1	1					
4	2	124617-91980	BULB, 12V-1.7W	5	5	5					
5	2	128391-91260	BOX	1	1	1					
6	2	128391-91860	WIRE	1	1	1					
7	2	127687-91870	BOLT, M6X35	6	6	6					
8	2	129170-91650	COVER	1	1	1					
9	2	129574-91410	BRACKET, SWITCH	1	1	1					
10	2	121575-91250	SWITCH, KEY	1	1	1					
11	2	123482-91291	KEY	1	1	1					
12	2	104271-91352	BUZZER	1	1	1					
13	2	129170-91800	SWITCH	1	1	1					
14	2	129574-91780	CAP, RUBBER	2	2	2					
15	2	129574-91790	SWITCH	1	1	1					
16	2	129470-91190	SWITCH, STOP	1	1	1					
17	2	129170-91810	COVER	1	1	1					
18	2	128391-91930	PANEL	1	1	1					
19	2	129574-91620	BEZEL	1	1	1					
20	2	129574-91420	BRACKET	1	1	1					
21	2	129574-91720	GASKET	1	1	1					
22	2	128391-91640	BEZEL	1	1	1					
23	2	128391-91440	PLATE	1	1	1					
24	2	128391-91740	GASKET	1	1	1					
25	2	129170-91610	BEZEL	1	1	1					
26	2	129574-91710	GASKET	1	1	1					
27	2	129574-91750	GASKET	1	1	1					
28	2	129574-91770	KNOB	2	2	2					
29	2	129574-91650	BEZEL	1	1	1					
30	2	127692-91410	SCREW	8	8	8					
31	2	127692-91440	SCREW	4	4	4					
32	2	127692-91450	SCREW	2	2	2					
33	2	129570-91850	HARNESS, WIRE	1	1	1					
34	3	124617-91990	FUSE	1	1	1					
35	2	128391-91700	GASKET	1	1	1					
36	2	127687-91880	WASHER	6	6	6					
37	2	198451-78680	CLAMP, CORD	1	1	1					
38	2	129574-91760	COVER	1	1	1					

Fig.65. PANEL(B:NEW TYPE:4JH3-TE)

(A)=4JH3E  
(B)=4JH3CE  
(C)=4JH3CE1

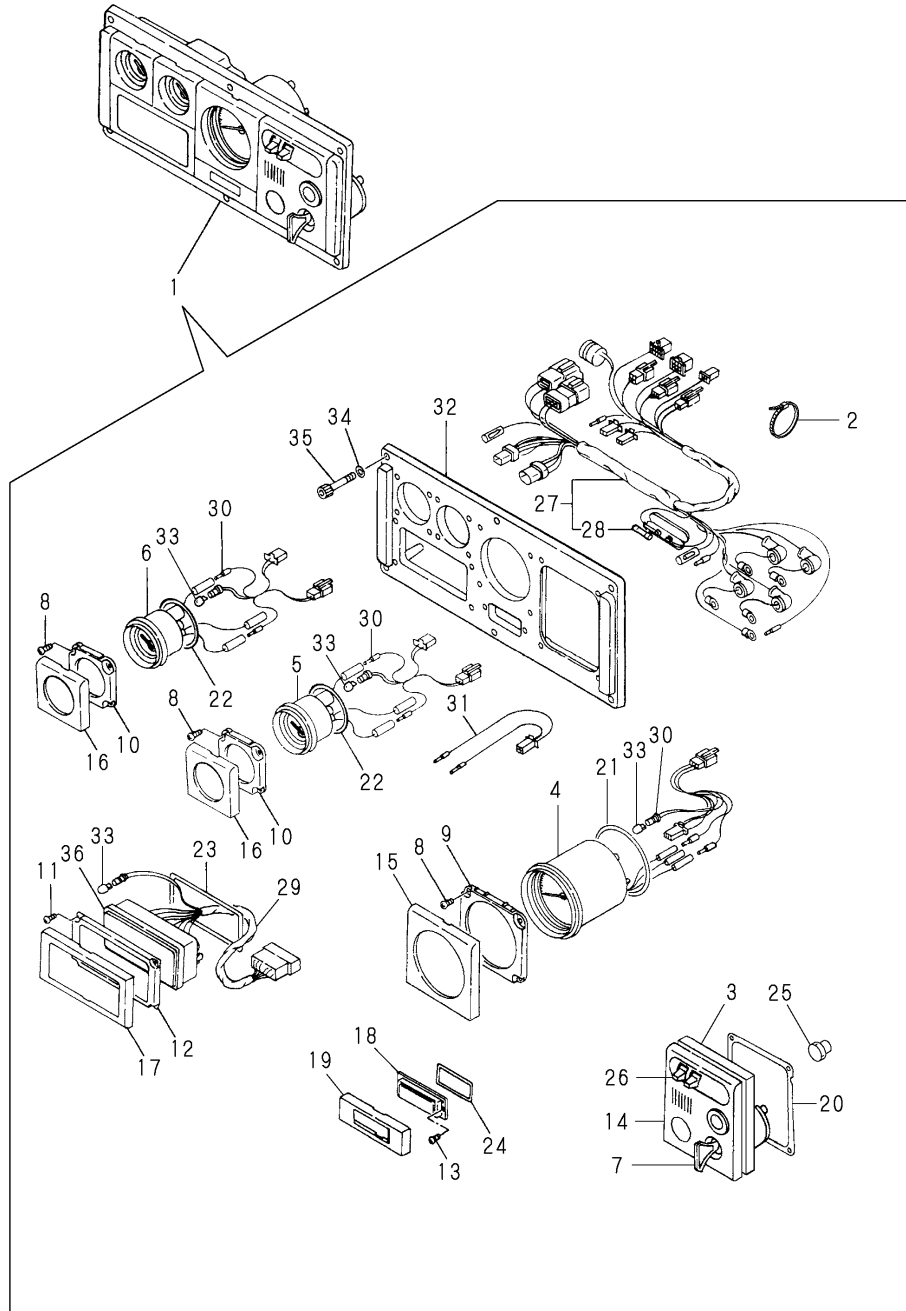
(D)=4JH3-TE  
(E)=4JH3-TCE  
(F)=



No.	Lev.	Parts No.	Description	Q'ty						I	R	
				(A)	(B)	(C)	(D)	(E)	(F)			
1	1	129574-91130	PANEL, INSTRUMENT				1	1				
2	2	129574-91200	METER KIT				1	1				
3	2	129574-91870	HARNESS, WIRE				1	1				
4	2	124617-91980	BULB, 12V-1.7W				5	5				
5	2	128391-91260	BOX				1	1				
6	2	120130-91860	WIRE				1	1				
7	2	127687-91870	BOLT, M6X35				6	6				
8	2	129170-91650	COVER				1	1				
9	2	129574-91410	BRACKET, SWITCH				1	1				
10	2	121575-91250	SWITCH, KEY				1	1				
11	2	123482-91291	KEY				1	1				
12	2	104271-91352	BUZZER				1	1				
13	2	129170-91800	SWITCH				1	1				
14	2	129574-91780	CAP, RUBBER				2	2				
15	2	129574-91790	SWITCH				1	1				
16	2	129470-91190	SWITCH, STOP				1	1				
17	2	129170-91810	COVER				1	1				
18	2	128391-91930	PANEL				1	1				
19	2	129574-91620	BEZEL				1	1				
20	2	129574-91420	BRACKET				1	1				
21	2	129574-91720	GASKET				1	1				
22	2	128391-91640	BEZEL				1	1				
23	2	128391-91440	PLATE				1	1				
24	2	128391-91740	GASKET				1	1				
25	2	129170-91610	BEZEL				1	1				
26	2	129574-91710	GASKET				1	1				
27	2	129574-91750	GASKET				1	1				
28	2	129574-91770	KNOB				2	2				
29	2	129574-91650	BEZEL				1	1				
30	2	127692-91410	SCREW				8	8				
31	2	127692-91440	SCREW				4	4				
32	2	127692-91450	SCREW				2	2				
33	2	129570-91850	HARNESS, WIRE				1	1				
34	3	124617-91990	FUSE				1	1				
35	2	128391-91700	GASKET				1	1				
36	2	127687-91880	WASHER				6	6				
37	2	129574-91760	COVER				1	1				



Fig.66. PANEL(C:NEW TYPE:4JH3E)

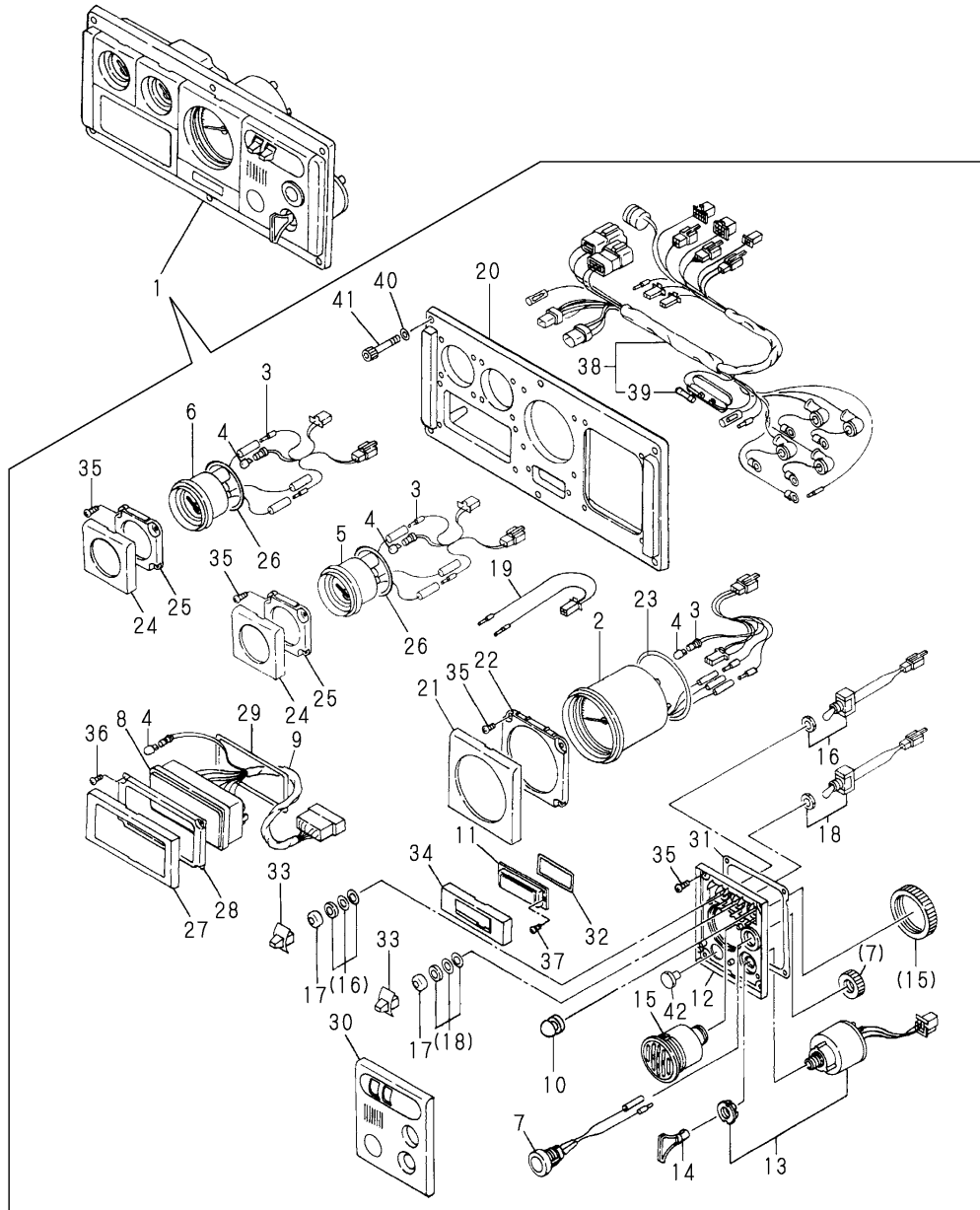


(A)=4JH3E  
(B)=4JH3CE  
(C)=4JH3CE1

(D)=4JH3-TE  
(E)=4JH3-TCE  
(F)=

No.	Lev.	Parts No.	Description	Q'ty						I	R
				(A)	(B)	(C)	(D)	(E)	(F)		
1	1	129670-91162 (A=E/#25626)	PANEL, INSTRUMENT (B=E/#25626) (C=E/#25626)	1	1	1					W
2	2	198451-78680	CLAMP, CORD	2	2	2					
3	2	129470-91191	BOX ASSY	1	1	1					
4	2	119773-91200	METER, TACHO./HOUR	1	1	1					
5	2	129574-91210	METER	1	1	1					
6	2	129574-91222	METER	1	1	1					
7	2	123482-91291	KEY	1	1	1					
8	2	127692-91410	SCREW	16	16	16					
9	2	129574-91420	BRACKET	1	1	1					
10	2	129574-91430	BRACKET	2	2	2					
11	2	127692-91440	SCREW	4	4	4					
12	2	129574-91440	BRACKET	1	1	1					
13	2	127692-91450	SCREW	2	2	2					
14	2	129170-91610	BEZEL	1	1	1					
15	2	129574-91620	BEZEL	1	1	1					
16	2	129574-91630	BEZEL	2	2	2					
17	2	129574-91640	BEZEL	1	1	1					
18	2	129170-91650	COVER	1	1	1					
19	2	129574-91650	BEZEL	1	1	1					
20	2	129574-91710	GASKET	1	1	1					
21	2	129574-91720	GASKET	1	1	1					
22	2	129574-91730	GASKET	2	2	2					
23	2	129574-91740	GASKET	1	1	1					
24	2	129574-91750	GASKET	1	1	1					
25	2	129574-91760	COVER	1	1	1					
26	2	129574-91770	KNOB	2	2	2					
27	2	129170-91850	HARNESS, WIRE	1	1	1					
28	3	124617-91990	FUSE	1	1	1					
29	2	129170-91860	HARNESS, WIRE	1	1	1					
30	2	129574-91870	HARNESS, WIRE	3	3	3					
31	2	129574-91890	HARNESS, WIRE	1	1	1					
32	2	129170-91930	PANEL	1	1	1					
33	2	124617-91980	BULB, 12V-1.7W	7	7	7					
34	2	127687-91880	WASHER	6	6	6					
35	2	127687-91870	BOLT, M6X35	6	6	6					
36	2	XYM0234016N	BOX, ALARM	1	1	1					

Fig.67. PANEL(C:NEW TYPE:PREVIOUS)



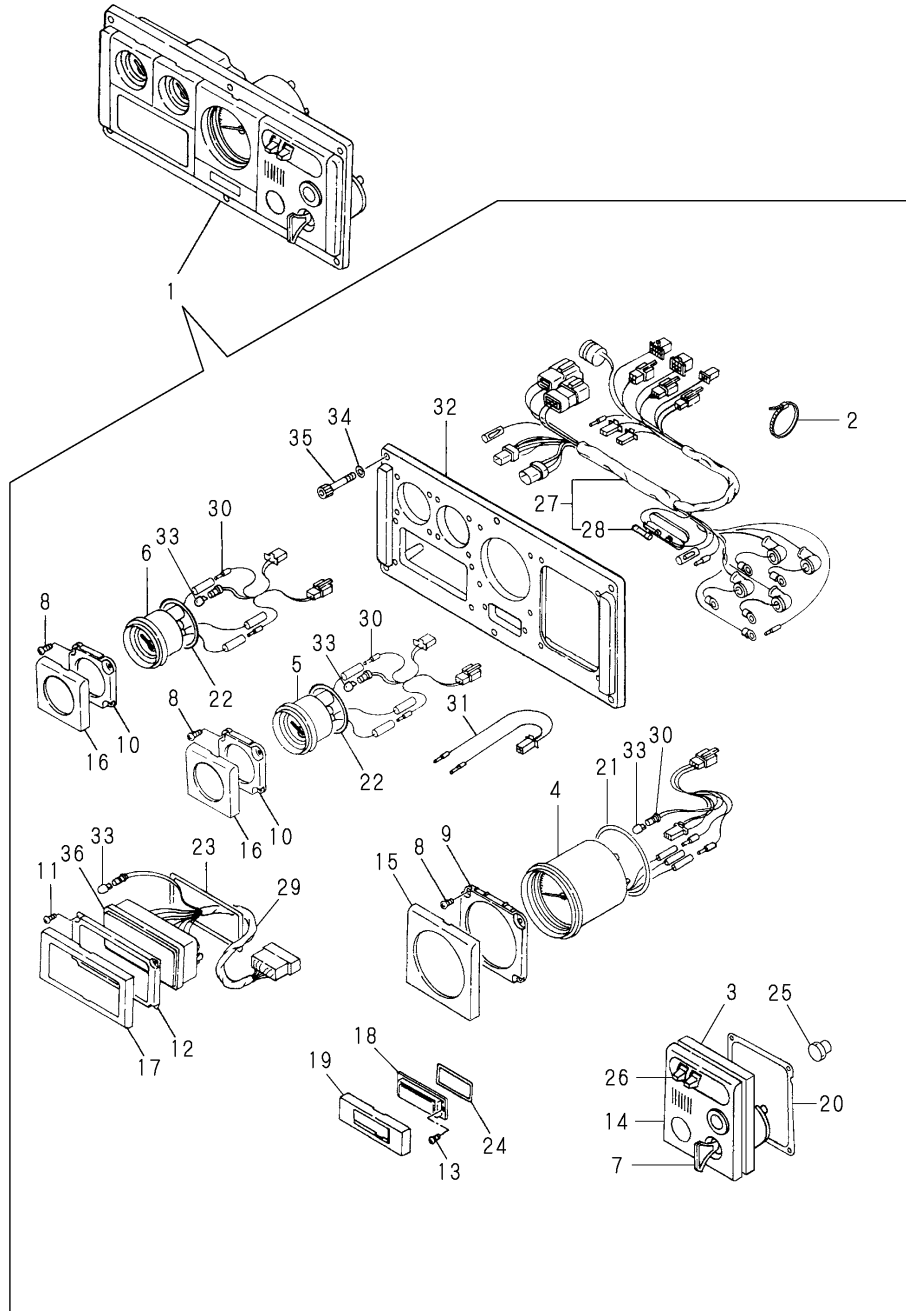
(A)=4JH3E  
(B)=4JH3CE  
(C)=4JH3CE1

(D)=4JH3-TE  
(E)=4JH3-TCE  
(F)=

No.	Lev.	Parts No.	Description	Q'ty						I	R
				(A)	(B)	(C)	(D)	(E)	(F)		
1	1	129574-91160	PANEL ASSY, INSTRUM				1				
1-1	1	129574-91161	PANEL ASSY, C				1				S
				(D=E/#10584)							
1-2	1	129574-91161	PANEL ASSY, C				1	1			Z 1
				(D=E/#12753) (E=E/#12753)							
2	2	129574-91200	METER KIT				1	1			
3	2	129574-91870	HARNES, WIRE				3	3			
4	2	124617-91980	BULB, 12V-1.7W				8	8			
5	2	129574-91210	METER				1	1			
6	2	129574-91220	METER				1				
6-1	2	129574-91221	METER				1	1			S
				(D=E/#10584)							
7	2	129470-91190	SWITCH, STOP				1	1			
8	2	129170-91260	BOX				1	1			
9	2	129170-91860	HARNES, WIRE				1	1			
10	2	129170-91810	COVER				1	1			
11	2	129170-91650	COVER				1	1			
12	2	129574-91410	BRACKET, SWITCH				1	1			
13	2	121575-91250	SWITCH, KEY				1	1			
14	2	123482-91291	KEY				1	1			
15	2	104271-91352	BUZZER				1	1			
16	2	129170-91800	SWITCH				1	1			
17	2	129574-91780	CAP, RUBBER				2	2			
18	2	129574-91790	SWITCH				1	1			
19	2	129574-91890	HARNES, WIRE				1	1			
20	2	129170-91930	PANEL				1	1			
21	2	129574-91620	BEZEL				1	1			
22	2	129574-91420	BRACKET				1	1			
23	2	129574-91720	GASKET				1	1			
24	2	129574-91630	BEZEL				2	2			
25	2	129574-91430	BRACKET				2	2			
26	2	129574-91730	GASKET				2	2			
27	2	129574-91640	BEZEL				1	1			
28	2	129574-91440	BRACKET				1	1			
29	2	129574-91740	GASKET				1	1			
30	2	129170-91610	BEZEL				1	1			
31	2	129574-91710	GASKET				1	1			
32	2	129574-91750	GASKET				1	1			
33	2	129574-91770	KNOB				2	2			
34	2	129574-91650	BEZEL				1	1			
35	2	127692-91410	SCREW				16	16			
36	2	127692-91440	SCREW				4	4			
37	2	127692-91450	SCREW				2	2			
38	2	129170-91850	HARNES, WIRE				1	1			
39	3	124617-91990	FUSE				1	1			
40	2	127687-91880	WASHER				6	6			
41	2	127687-91870	BOLT, M6X35				6	6			
42	2	129574-91760	COVER				1	1			

Remarks  
(1)INTERCHANGEABILITY IS <N> WITH  
FIG.68 REF.NO.1.

Fig.68. PANEL(C:NEW TYPE:4JH3-TE)

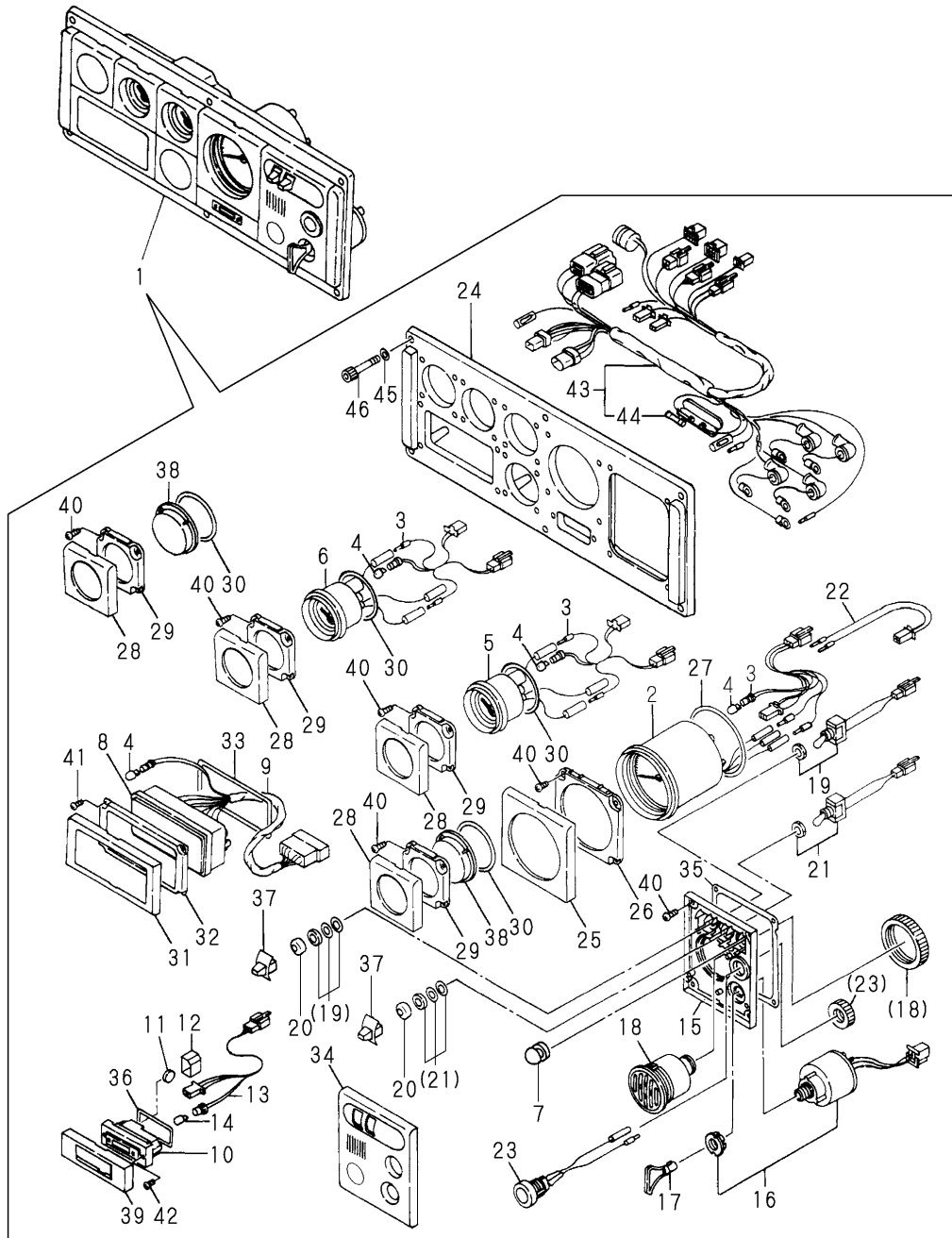


(A)=4JH3E  
(B)=4JH3CE  
(C)=4JH3CE1

(D)=4JH3-TE  
(E)=4JH3-TCE  
(F)=

No.	Lev.	Parts No.	Description	Q'ty						I	R
				(A)	(B)	(C)	(D)	(E)	(F)		
1	1	129574-91162	PANEL ASSY, C				1	1			W
			(D=E/#12753)		(E=E/#12753)						
2	2	198451-78680	CLAMP, CORD				2	2			
3	2	129470-91191	BOX ASSY				1	1			
4	2	129574-91200	METER KIT				1	1			
5	2	129574-91210	METER				1	1			
6	2	129574-91222	METER				1	1			
7	2	123482-91291	KEY				1	1			
8	2	127692-91410	SCREW				16	16			
9	2	129574-91420	BRACKET				1	1			
10	2	129574-91430	BRACKET				2	2			
11	2	127692-91440	SCREW				4	4			
12	2	129574-91440	BRACKET				1	1			
13	2	127692-91450	SCREW				2	2			
14	2	129170-91610	BEZEL				1	1			
15	2	129574-91620	BEZEL				1	1			
16	2	129574-91630	BEZEL				2	2			
17	2	129574-91640	BEZEL				1	1			
18	2	129170-91650	COVER				1	1			
19	2	129574-91650	BEZEL				1	1			
20	2	129574-91710	GASKET				1	1			
21	2	129574-91720	GASKET				1	1			
22	2	129574-91730	GASKET				2	2			
23	2	129574-91740	GASKET				1	1			
24	2	129574-91750	GASKET				1	1			
25	2	129574-91760	COVER				1	1			
26	2	129574-91770	KNOB				2	2			
27	2	129170-91850	HARNESS, WIRE				1	1			
28	3	124617-91990	FUSE				1	1			
29	2	129170-91860	HARNESS, WIRE				1	1			
30	2	129574-91870	HARNESS, WIRE				1	1			
31	2	129170-91890	HARNESS, WIRE				1	1			
32	2	129170-91930	PANEL				1	1			
33	2	124617-91980	BULB, 12V-1.7W				7	7			
34	2	127687-91880	WASHER				6	6			
35	2	127687-91870	BOLT, M6X35				6	6			
36	2	XYM0234001N	BOX, ALARM				1	1			

Fig.69. PANEL(D:NEW TYPE:4JH3-TE)



(A)=4JH3E  
(B)=4JH3CE  
(C)=4JH3CE1

(D)=4JH3-TE  
(E)=4JH3-TCE  
(F)=

No.	Lev.	Parts No.	Description	Q'ty						I	R
				(A)	(B)	(C)	(D)	(E)	(F)		
1	1	129574-91190	PANEL ASSY, INSTRUM				1	1			
2	2	129574-91200	METER KIT				1	1			
3	2	129574-91870	HARNESS, WIRE				3	3			
4	2	124617-91980	BULB, 12V-1.7W				8	8			
5	2	129574-91210	METER				1	1			
6	2	129574-91220	METER				1	1			
7	2	129170-91810	COVER				1	1			
8	2	129574-91260	BOX				1	1			
9	2	129574-91860	WIRE				1	1			
10	2	129574-91240	CLOCK				1	1			
11	2	127620-91250	CELL				1	1			
12	2	129574-91490	HOLDER				1	1			
13	2	129574-91880	HARNESS, WIRE				1	1			
14	2	120147-91760	BULB				1	1			
15	2	129574-91410	BRACKET, SWITCH				1	1			
16	2	121575-91250	SWITCH, KEY				1	1			
17	2	123482-91291	KEY				1	1			
18	2	104271-91352	BUZZER				1	1			
19	2	129170-91800	SWITCH				1	1			
20	2	129574-91780	CAP, RUBBER				2	2			
21	2	129574-91790	SWITCH				1	1			
22	2	129574-91890	HARNESS, WIRE				1	1			
23	2	129470-91190	SWITCH, STOP				1	1			
24	2	129574-91930	PANEL				1	1			
25	2	129574-91620	BEZEL				1	1			
26	2	129574-91420	BRACKET				1	1			
27	2	129574-91720	GASKET				1	1			
28	2	129574-91630	BEZEL				4	4			
29	2	129574-91430	BRACKET				4	4			
30	2	129574-91730	GASKET				4	4			
31	2	129574-91640	BEZEL				1	1			
32	2	129574-91440	BRACKET				1	1			
33	2	129574-91740	GASKET				1	1			
34	2	129170-91610	BEZEL				1	1			
35	2	129574-91710	GASKET				1	1			
36	2	129574-91750	GASKET				1	1			
37	2	129574-91770	KNOB				2	2			
38	2	129574-91600	COVER				2	2			
39	2	129574-91650	BEZEL				1	1			
40	2	127692-91410	SCREW				24	24			
41	2	127692-91440	SCREW				4	4			
42	2	127692-91450	SCREW				2	2			
43	2	129574-91850	HARNESS, WIRE				1	1			
44	3	124617-91990	FUSE				1	1			
45	2	127687-91880	WASHER				6	6			
46	2	127687-91870	BOLT, M6X35				6	6			

Fig.70. CLUTCH

(A)=4JH3E  
(B)=4JH3CE  
(C)=4JH3CE1

(D)=4JH3-TE  
(E)=4JH3-TCE  
(F)=

No.	Lev.	Parts No.	Description	(A)	(B)	(C)	(D)	(E)	(F)	I	R
1	1	129270-81020	CLUTCH ASSY, I=2.61	1							
1-1	1	129270-81021	CLUTCH ASSY, I=2.61	1							N
		(A=E/#20522)									
1-2	1	129270-81120	CLUTCH ASSY, I=2.61	1							S
		(A=E/#25682)									
2	1	129171-81010	CLUTCH ASSY, 2.33	1							
2-1	1	129270-81070	CLUTCH ASSY, 2.33	1							N
		(A=E/#20522)									
2-2	1	129270-81170	CLUTCH ASSY, 2.33	1							S
		(A=E/#25682)									
3	1	129171-81020	CLUTCH ASSY, I=2.64	1							
3-1	1	129270-81080	CLUTCH ASSY, I=2.64	1							N
		(A=E/#20522)									
3-2	1	129270-81180	CLUTCH ASSY, I=2.64	1							S
		(A=E/#25682)									
4	1	129270-81010	CLUTCH, KM3P4 I2.36	1							
4-1	1	129270-81011	CLUTCH ASSY, 2.36	1							N
		(A=E/#20522)									
4-2	1	129270-81110	CLUTCH ASSY, 2.36	1							S
		(A=E/#25682)									
5	1	129670-81010	CLUTCH ASSY, 2.17	1							Z
		(A=E/#25682)									
6	1	129670-81020	CLUTCH ASSY, I=2.62	1							Z
		(A=E/#25682)									
7	1	129670-81030	CLUTCH ASSY, I=3.28	1							Z
		(A=E/#25682)									
8	1	129670-81040	CLUTCH ASSY, 1.47	1							Z
		(A=E/#25682)									
9	1	129670-81050	CLUTCH ASSY, 2.14	1							Z
		(A=E/#25682)									
10	1	129670-81060	CLUTCH ASSY, I=2.63	1							Z
		(A=E/#25682)									
11	1	129670-81070	CLUTCH ASSY, I=3.30	1							Z
		(A=E/#25682)									
12	1	128170-13600	STUD, M8X31	2							
13	1	26106-080202	BOLT, M8X 20 PLATED	6							
14	1	26306-080002	NUT, M8	2							
15	1	129670-01630	SPACER, CLUTCH	1							Z
		(A=E/#25682)									
16	1	129670-21700	SPACER, FLYWHEEL	1							Z
		(A=E/#25682)									
17	1	129670-21710	SPACER, FAN 18MM	1							Z
		(A=E/#25682)									
18	1	22217-080000	WASHER, SPRING 8	1							Z
		(A=E/#25682)									
19	1	26013-080402	BOLT, M8X 40	1							Z
		(A=E/#25682)									
20	1	26106-080402	BOLT, M8X 40 PLATED	1							Z
		(A=E/#25682)									
21	1	26450-080182	BOLT, M8X 18	1							Z
		(A=E/#25682)									

Remarks  
THIS FIGURE ARE NOT ILLUSTRATED.

Fig.70. CLUTCH

(A)=4JH3E  
(B)=4JH3CE  
(C)=4JH3CE1

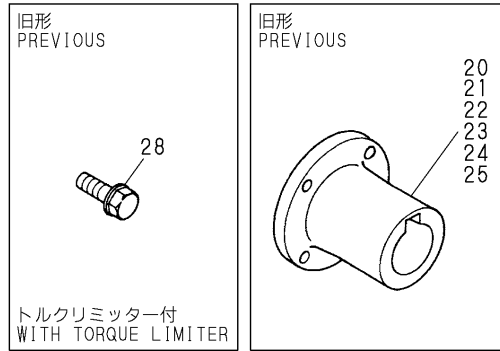
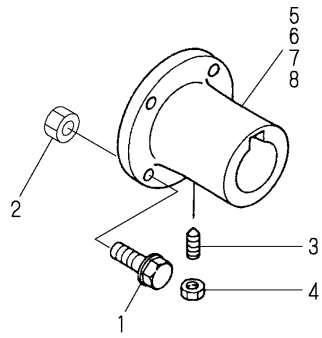
(D)=4JH3-TE  
(E)=4JH3-TCE  
(F)=

No.	Lev.	Parts No.	Description	Q'ty						I	R
				(A)	(B)	(C)	(D)	(E)	(F)		
22	1	129473-81001	CLUTCH ASSY, 1.47 (D=E/#10055)				1				W
23	1	129473-81012	CLUTCH ASSY, 2.14				1				
24	1	129473-81022	CLUTCH ASSY, I=2.63				1				
25	1	129473-81032	CLUTCH ASSY, I=3.30 (D=E/#10055)				1				W
26	1	129673-81010	CLUTCH ASSY, 2.04				1				
27	1	129673-81020	CLUTCH ASSY, I=2.45				1				
28	1	129474-81011	CLUTCH ASSY, 2.17				1				
29	1	129474-81021	CLUTCH ASSY, I=2.62				1				
30	1	26106-100302	BOLT, M10X 30 PLATED				8				
31	1	26226-100222	STUD, M10X 22				2				
32	1	26716-100002	NUT, M10				2				

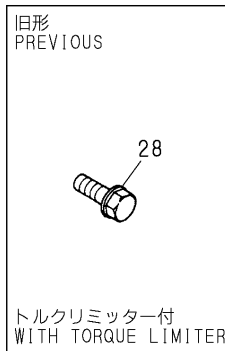
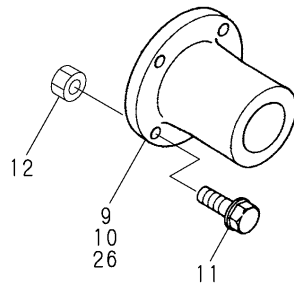
Remarks  
THIS FIGURE ARE NOT ILLUSTRATED.

Fig.71. CUPRING

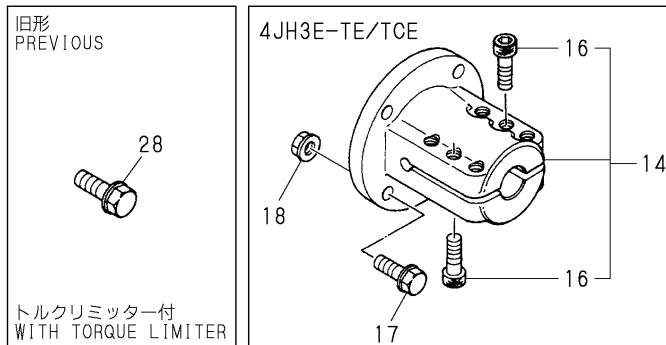
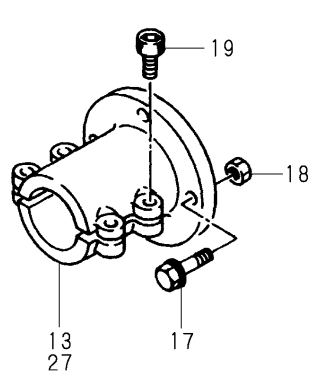
テーパカップリング  
TAPER COUPLING



ストレートカップリング  
STRAIGHT COUPLING



スリットカップリング  
SLIT COUPLING

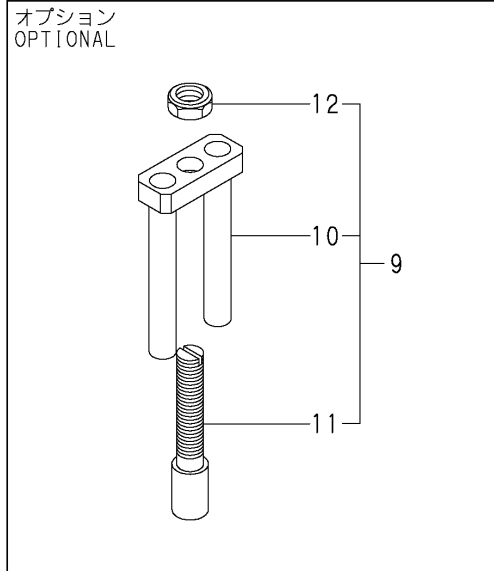
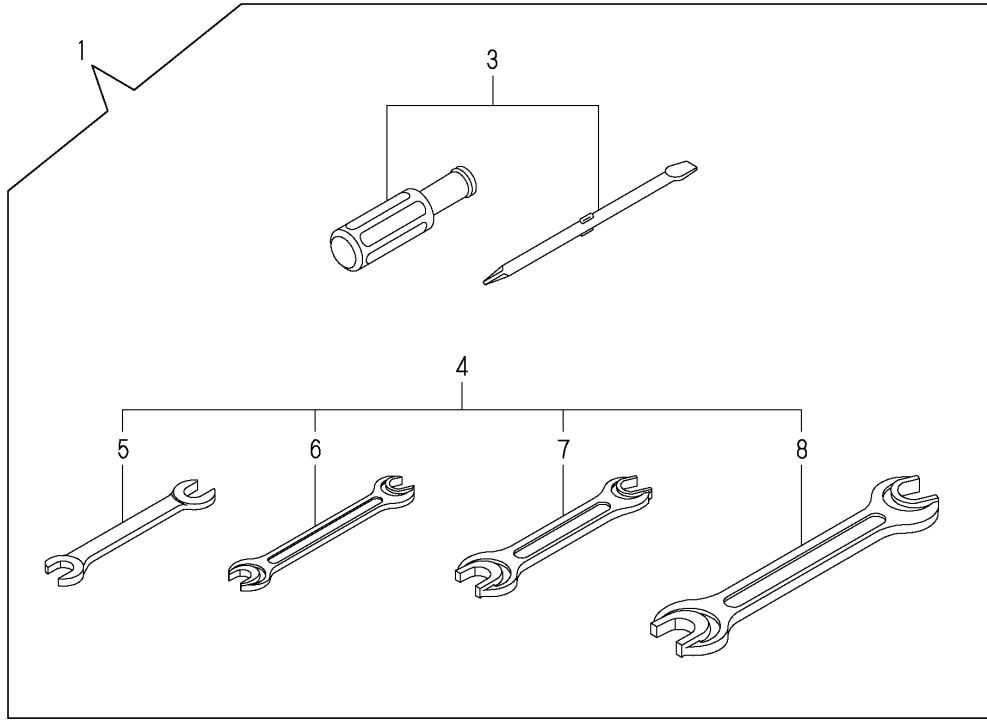


(A)=4JH3E  
(B)=4JH3CE  
(C)=4JH3CE1

(D)=4JH3-TE  
(E)=4JH3-TCE  
(F)=

No.	Lev.	Parts No.	Description	Qty						I	R
				(A)	(B)	(C)	(D)	(E)	(F)		
1	1	26106-100322	BOLT, M10X 32 PLATED	4	4	4	4	4			
2	1	26706-100002	NUT, M10	4	4	4	4	4			
3	1	26756-080002	NUT, LOCK M8	1	1	1	1	1			
4	1	48110-032411	SCREW	1	1	1	1	1			
5	1	129670-85900	COUPLING, TAPER 34	1	1	1					
6	1	48110-034071	COUPLING 34				1	1			
7	1	48110-028063	COUPLING, TAPER 28	1	1	1					
8	1	129473-85900	COUPLING, TAPER 38				1	1			
9	1	105583-85900	COUPLING, 22	1	1	1					
10	1	129470-85900	COUPLING				1	1			
11	1	26106-100322	BOLT, M10X 32 PLATED	4	4	4	4	4			
12	1	26706-100002	NUT, M10	4	4	4	4	4			
13	1	104214-83980	COUPLING	1	1	1					
14	1	129470-83750	COUPLING ASSY				1	1			
16	2	26450-120402	BOLT, M12X 40				6	6			
17	1	26106-100322	BOLT, M10X 32 PLATED	4	4	4	4	4			
18	1	26706-100002	NUT, M10	4	4	4	4	4			
19	1	26450-080282	BOLT, M8X 28	4	4	4					
20	1	129670-85910	COUPLING, TAPER 25	1	1	1				Z	
		(A=E/#25682) (B=E/#25682) (C=E/#25682)									
21	1	48110-028071	COUPLING, TAPER 28	1	1	1				Z	
		(A=E/#25682) (B=E/#25682) (C=E/#25682)									
22	1	48110-030061	COUPLING, D29.5	1	1	1				Z	
		(A=E/#25682) (B=E/#25682) (C=E/#25682)									
23	1	48110-032065	COUPLING, TAPER 32	1	1	1				Z	
		(A=E/#25682) (B=E/#25682) (C=E/#25682)									
24	1	48110-034071	COUPLING 34	1	1	1				Z	
		(A=E/#25682) (B=E/#25682) (C=E/#25682)									
25	1	129473-85900	COUPLING, TAPER 38	1	1	1				Z	
		(A=E/#25682) (B=E/#25682) (C=E/#25682)									
26	1	129470-85900	COUPLING	1	1	1				Z	
		(A=E/#25682) (B=E/#25682) (C=E/#25682)									
27	1	129470-83750	COUPLING ASSY	1	1	1				Z	
		(A=E/#25682) (B=E/#25682) (C=E/#25682)									
28	1	26106-100252	BOLT, M10X 25 PLATED	4	4	4				Z	
		(A=E/#25682) (B=E/#25682) (C=E/#25682)									

Fig.72. TOOL



(A)=4JH3E  
(B)=4JH3CE  
(C)=4JH3CE1

(D)=4JH3-TE  
(E)=4JH3-TCE  
(F)=

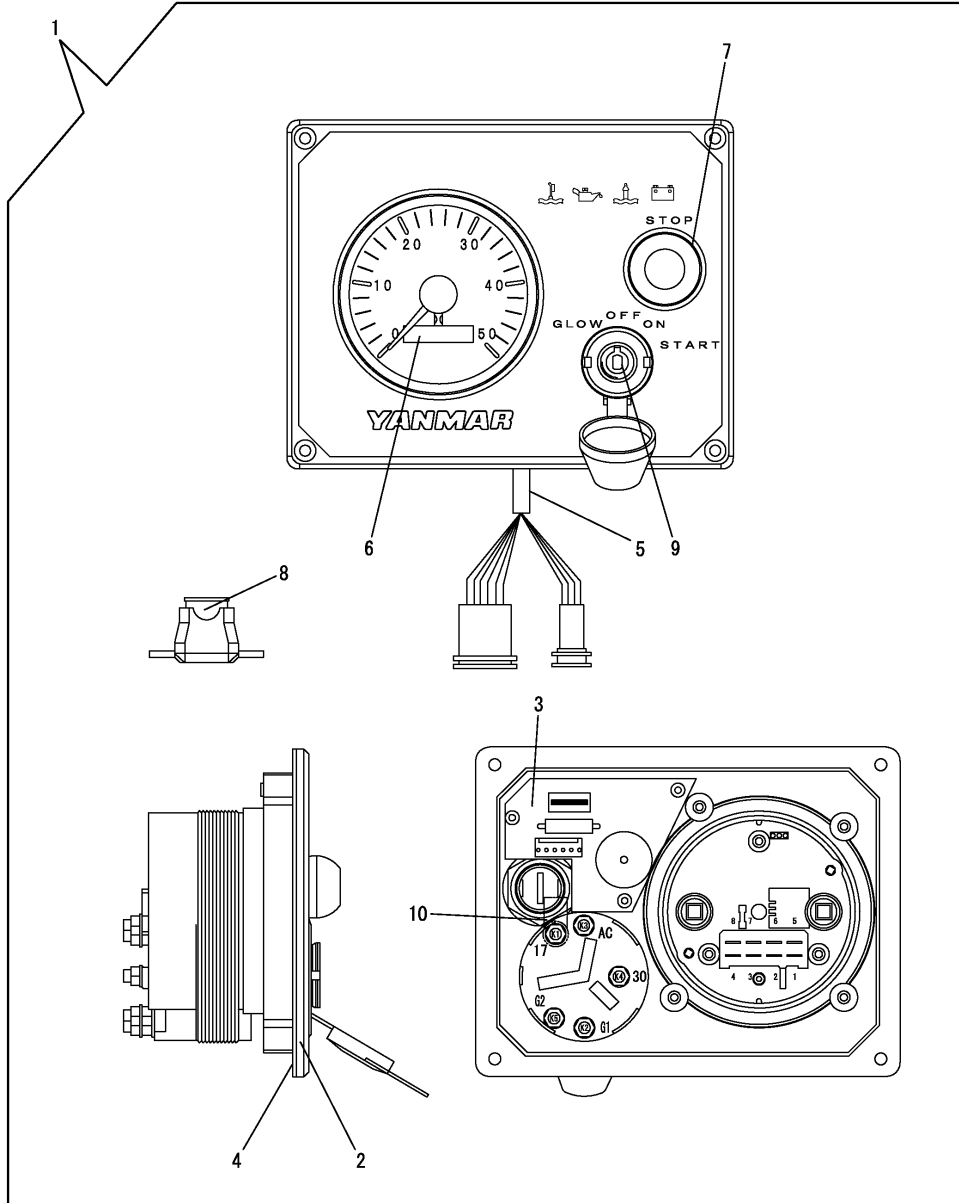
No.	Lev.	Parts No.	Description	Q'ty						I	R
				(A)	(B)	(C)	(D)	(E)	(F)		
1	1	129270-92100	BOX, TOOL	1	1	1					
3	2	129270-92650	DRIVER	1	1	1					
4	2	129270-92690	WRENCH ASSY	1	1	1					
5	3	129270-92610	WRENCH, 10X13	1	1	1					
6	3	129270-92620	WRENCH, 12X14	1	1	1					
7	3	129270-92630	WRENCH, 17X19	1	1	1					
8	3	129270-92640	WRENCH, 22X24	1	1	1					
9	1	129470-92300	TOOL ASSY, NOZZLE	1	1	1					
10	2	129470-92310	TOOL,NOZZLE REMOVE A	1	1	1					
11	2	129470-92320	TOOL,NOZZLE REMOVE B	1	1	1					
12	2	26716-120002	NUT, M12	1	1	1					



Fig.73. INSTRUMENT PANEL(B-TYPE/VDO)

(A)=4JH3E  
(B)=4JH3CE  
(C)=4JH3CE1

(D)=4JH3-TE  
(E)=4JH3-TCE  
(F)=

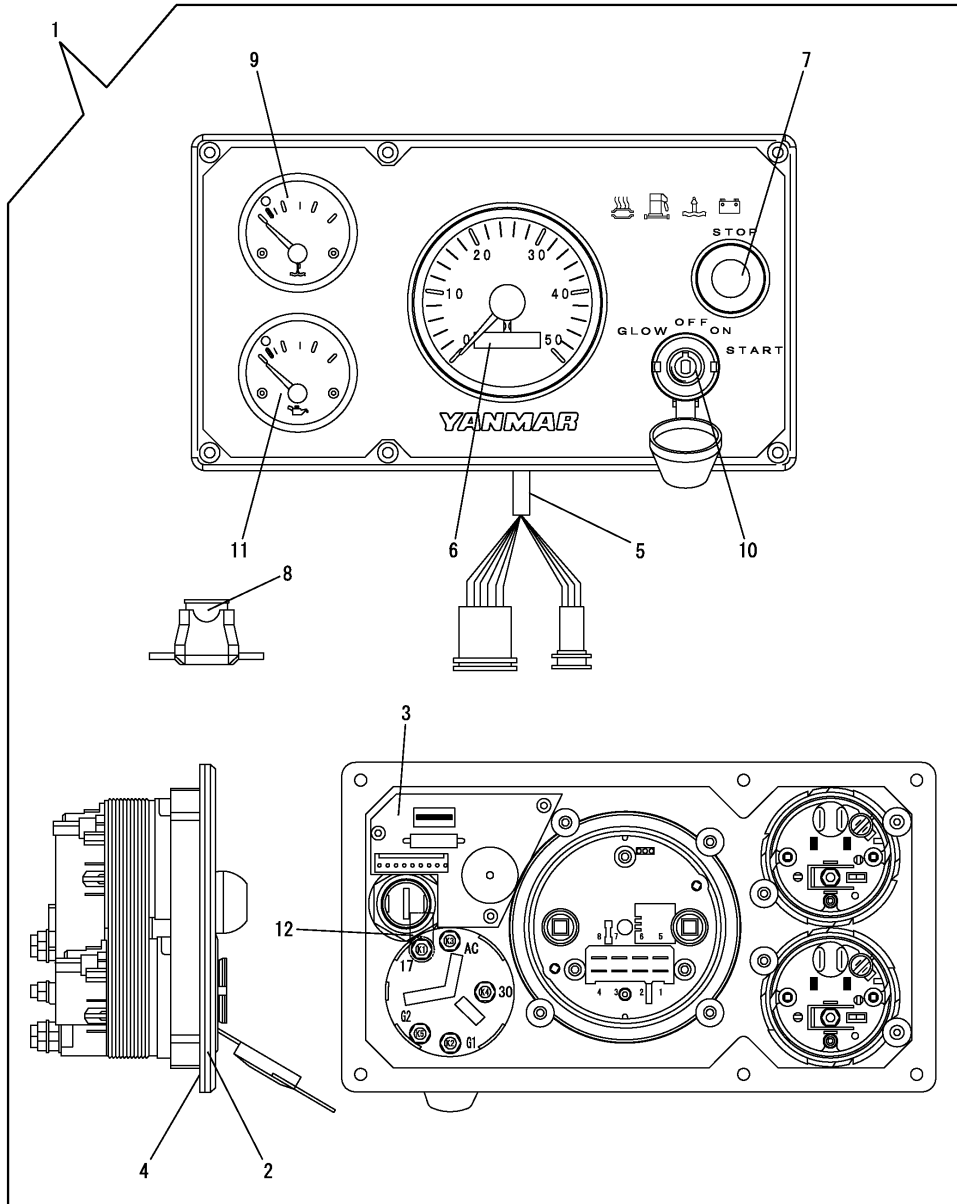


No.	Lev.	Parts No.	Description	Q'ty						I	R
				(A)	(B)	(C)	(D)	(E)	(F)		
1	1	129271-91110	PANEL, INSTRUMENT B (A=EZZZZZ) (B=EZZZZZ) (C=EZZZZZ) (D=EZZZZZ)	1	1	1	1	1	1	W	
1-1	1	129271-91111	PANEL, INSTRUMENT B (A=*2006.02) (B=EZZZZZ) (C=EZZZZZ) (D=EZZZZZ)	1	1	1	1	1	1	N	
1-2	1	129271-91112	PANEL (A=EZZZZZ) (B=EZZZZZ) (C=EZZZZZ) (D=EZZZZZ)	1	1	1	1	1	1	N	
1-3	1	128171-91110	PANEL, INSTRUMENT B (A=EZZZZZ) (B=EZZZZZ) (C=EZZZZZ) (D=EZZZZZ)	1	1	1	1	1	1	N	
2	2	129271-91120	PANEL, INSTRUMENT B	1	1	1	1	1	1		
3	2	129271-91130	CIRCUIT	1	1	1	1	1	1		
3-1	2	129271-91131	CIRCUIT WITH LED&BZR (A=EZZZZZ) (B=EZZZZZ) (C=EZZZZZ) (D=EZZZZZ)	1	1	1	1	1	1	N	
3-2	2	129271-91132	CIRCUIT WITH LED&BZR (A=EZZZZZ) (B=EZZZZZ) (C=EZZZZZ) (D=EZZZZZ)	1	1	1	1	1	1	N	
4	2	129271-91140	SEAL	1	1	1	1	1	1		
5	2	129271-91150	HARNES, WIRE	1	1	1	1	1	1		
6	2	129271-91210	TACHOMETER	1	1	1	1	1	1		
6-1	2	128171-91210	TACHOMETER (IND) 97 (A=EZZZZZ) (B=EZZZZZ) (C=EZZZZZ) (D=EZZZZZ)	1	1	1	1	1	1	N	
7	2	129271-91220	SWITCH, STOP	1	1	1	1	1	1		
8	2	129271-91230	FUSE	1	1	1	1	1	1		
9	2	127412-91250	SWITCH, KEY	1	1	1	1	1	1		
10	2	129271-91260	CAP, RUBBER M5 (A=EZZZZZ) (B=EZZZZZ) (C=EZZZZZ) (D=EZZZZZ)	1	1	1	1	1	1	W	

Fig.74. INSTRUMENT PANEL(C-TYPE/VDO)

(A)=4JH3E  
(B)=4JH3CE  
(C)=4JH3CE1

(D)=4JH3-TE  
(E)=4JH3-TCE  
(F)=



No.	Lev.	Parts No.	Description	Q'ty						I	R
				(A)	(B)	(C)	(D)	(E)	(F)		
1	1	129271-91160	PANEL, INSTRUMENT C (A=EZZZZZ) (B=EZZZZZ) (C=EZZZZZ) (D=EZZZZZ)	1	1	1	1	1	1		W
1-1	1	129271-91161	PANEL, INSTRUMENT C (A=EZZZZZ) (B=EZZZZZ) (C=EZZZZZ) (D=EZZZZZ)	1	1	1	1	1	1		N
1-2	1	129271-91162	PANEL (A=EZZZZZ) (B=EZZZZZ) (C=EZZZZZ) (D=EZZZZZ)	1	1	1	1	1	1		N
1-3	1	129673-91160	PANEL, INSTRUMENT C (A=EZZZZZ) (B=EZZZZZ) (C=EZZZZZ) (D=EZZZZZ)	1	1	1	1	1	1		N
2	2	129271-91170	PANEL	1	1	1	1	1	1		
3	2	129271-91180	CIRCUIT	1	1	1	1	1	1		
3-1	2	129271-91181	CIRCUIT (A=EZZZZZ) (B=EZZZZZ) (C=EZZZZZ) (D=EZZZZZ)	1	1	1	1	1	1		N
3-2	2	129271-91182	CIRCUIT (A=EZZZZZ) (B=EZZZZZ) (C=EZZZZZ) (D=EZZZZZ)	1	1	1	1	1	1		N
4	2	129271-91190	RUBBER, SEAL	1	1	1	1	1	1		
5	2	129271-91200	HARNES, WIRE	1	1	1	1	1	1		
6	2	129271-91210	TACHOMETER	1	1	1	1	1	1		
6-1	2	129673-91210	TACHOMETER (IND) 127 (A=EZZZZZ) (B=EZZZZZ) (C=EZZZZZ) (D=EZZZZZ)	1	1	1	1	1	1		N
7	2	129271-91220	SWITCH, STOP	1	1	1	1	1	1		
8	2	129271-91230	FUSE	1	1	1	1	1	1		
9	2	129271-91240	THERMOMETER, WATER	1	1	1	1	1	1		
10	2	127412-91250	SWITCH, KEY	1	1	1	1	1	1		
11	2	129271-91250	GAUGE	1	1	1	1	1	1		
12	2	129271-91260	CAP, RUBBER M5 (A=EZZZZZ) (B=EZZZZZ) (C=EZZZZZ) (D=EZZZZZ)	1	1	1	1	1	1		W

## Parts No. Index

Parts No.	Fig. No.	Ref. No.
101304-59020	41	8
		16
104200-59170	41	11
104214-39720	9	17
104214-83980	71	13
104271-49060	22	10
104271-91351	57	2
104271-91352	56	3
	64	12
	65	12
	67	15
	69	18
104407-44480	15	34
	28	3
	31	13
105311-67200	45	2
105430-55041	43	8
105583-85900	71	9
114250-53080	39	5
		19
114250-53120	39	9
		23
114250-53130	39	10
		24
114250-53140	39	11
		25
114250-53210	39	12
		26
114250-53400	39	13
		27
114371-79070	46	23
119000-59550	41	21
119129-77250	50	14
	52	14
119129-77260	50	15
	52	15
119129-77320	50	3
	52	3
119129-77890	50	20
	52	21
119129-77900	50	21
	52	22
119129-77930	50	19
	52	19
119129-77940	53	12
119171-14400	17	7 A
119171-59200	36	6
119171-59910	42	14
119171-67200	36	4
119171-77701	57	20

Parts No.	Fig. No.	Ref. No.
119171-77701	60	36
	62	41
	63	22
119171-91180	63	1
119173-55700	41	4
	42	2
119174-25060	17	21
119175-42620	26	8
119309-01810	1	25 -1
	2	8 -1
119573-77200	53	1
119573-77201	50	1
	52	1
119573-77250	50	31
119573-77260	50	32
119573-77270	50	33
119575-77060	14	25
119575-77071	14	26
119575-77510	54	13 -1
119593-59580	41	23 -1
	42	21
119593-59590	42	18
119600-66840	37	55
119620-49290	28	16 -1
119625-11870	11	28
		28 -2
	12	28
		28 -2
119625-11872	11	28 -1
	12	28 -1
119625-11880	11	26
	12	30
119625-11900	11	27
	12	29
119773-91200	64	2
	66	4
119773-91500	54	21 -1
119773-91501	54	21 -2
119773-91520	55	21 -1
119773-91650	54	35
119773-91700	54	36
119773-91850	44	24 -1
	54	24 -1
119802-11280	11	40 -1
	12	44 -1
119865-21600	18	10
119867-66910	44	5
120130-11860	11	24
	12	26
120130-49350	28	16

Parts No.	Fig. No.	Ref. No.
120130-91370	54	10
120130-91860	65	6
120147-91230	63	3
120147-91760	63	4
	69	14
120149-08431	6	17
120149-08441	7	10
120270-77101	54	18
120322-33050	28	12
120325-61100	37	95 -1
120445-44640	28	15
121023-01550	3	22
121111-21501	18	7
121252-39150	23	12
121400-11340	11	22
	12	20
121450-01560	3	3
	36	1
121550-23200	19	12
	20	12
121574-86320	45	7
121575-91250	58	8
	59	8
	60	3
	61	2
	62	35
	64	10
	65	10
	67	13
	69	16
121750-59890	13	16
	41	12
	44	11
		18
121850-01910	13	34
121850-11860	12	10 -1
121850-21130	18	11
121850-35200	25	12
121850-35520	25	14
121850-35531	25	15
121850-51960	3	9
	36	17
121857-55750	42	7
121857-55760	42	8
121870-59930	40	20
122117-51560	35	45
122710-51050	35	6
122710-51090	35	9
122780-59100	40	1
		25

Parts No.	Fig. No.	Ref. No.
122780-59100	40	25 -1
123310-77640	46	47
	47	62
123325-49421	15	28
	22	15
	28	39
123325-77920	47	65
123325-77930	47	66
123372-59100	40	2
123482-01900	14	20
123482-39670	54	20
	55	20
123482-91291	57	5
	60	4
	61	3
	62	36
	63	10
	64	11
	65	11
	66	7
	67	14
	68	7
	69	17
123682-07851	10	4
123682-07852	10	4 -1
123900-77700	49	2
123900-77730	49	5
124060-39451	54	8
124060-39452	54	8 -1
124066-59100	41	17
124070-59060	43	1
124070-59130	43	2
124070-77950	54	4
	55	5
124080-77390	50	10
	52	10
124080-77490	48	3
124080-77520	50	12
	52	12
124085-11690	27	5
124160-01751	3	4
	13	35
		37
124160-01910	1	4
		5
	2	4
		43
124160-11360	13	11
		27
124160-39140	21	14

## Parts No. Index

Parts No.	Fig. No.	Ref. No.
124160-49480	28	4
		19
124195-77770	46	22
		45
		60
124223-35510	25	13
124240-01871	26	25
124298-77020	46	2
124411-91010	57	16
124411-91180	62	1
124411-91190	57	1
124411-91191	57	1 -1
124413-39100	24	30
		23
124413-39710	23	17
124450-39240	21	15
124460-11340	11	23
		21
124460-77680	1	32
		29
		4
		8
		6
124550-21600	18	10 A
124550-51350	35	31
124550-51370	35	32
124550-59820	21	20
124550-66370	37	54
124550-77030	46	49
		64
		29
		27
		21
		11
		7
		7
		23
		23
124616-91370	14	29
		27
		21
		11
124617-91810	62	27
		21
124617-91820	62	21
124617-91830	62	11
124617-91840	58	7
		7
		23
		23
		14
		24
		24
		44
		35
		46
19		
124617-91850	44	24
124617-91900	60	44
		35
		46
		19
124617-91910	62	12
124617-91920	56	7
		14
		14
		14
		21

Parts No.	Fig. No.	Ref. No.
124617-91920	61	21
		13
		16
		20
124617-91930	62	8
		15
124617-91940	62	38
124617-91950	62	19
124617-91970	62	28
124617-91980	60	25
		29
124617-91990	64	4
		4
		33
		4
		33
		4
		33
		4
		11
		10
124722-59050	62	31
		34
		34
		28
		39
		28
		44
		17
		3
		4
124770-77940	54	3
124790-44560	28	30
		16
		21
		22
		12
		13
		13
		14
		14
		15
124950-51190	35	16
126630-91560	55	21
126630-91570	55	22
126630-91591	55	12
127410-91510	60	13
		13
127410-91520	60	14
		14
127410-91530	60	15
		15
127410-91550	60	17
		17
127410-91560	60	19
		19
127410-91570	60	20
		20
127410-91580	60	16
		22
		16
		16
		22

Parts No.	Fig. No.	Ref. No.
127410-91590	60	2
		24
		11
		24
127410-91600	58	4
		4
		26
		26
127410-91610	59	13
		27
		27
		5
127410-91620	59	5
		5
		28
		28
127410-91630	60	29
		29
		29
		39
127410-91680	61	40
		6
		4
		9
127412-91250	56	6
		4
		9
		9
127420-44560	31	8
		8
127610-03270	29	1
127610-77710	57	19
		35
		42
		23
		22
		23
		11
		6
		37
		38
43		
127620-91240	62	22
		23
		11
		6
127620-91250	62	23
		11
		6
		37
127620-91410	60	37
		38
		38
		43
127620-91510	60	38
		39
		44
		41
127620-91550	60	41
		33
		40
		41
127620-91560	60	40
		41
		41
		42
127620-91570	60	34
		34
		43
		37
127620-91580	60	43
		37
		45
		20

Parts No.	Fig. No.	Ref. No.
127620-91600	62	7
		8
127620-91610	62	9
127620-91620	62	5
		10
127620-91630	62	17
127620-91690	62	24
127620-91720	62	25
127620-91730	62	26
127620-91740	60	31
127620-91780	60	31
		33
127620-91790	60	30
		32
127620-91810	62	34
		8
127620-91820	57	5
		4
127620-91830	60	7
		6
127620-91860	62	39
		2
127620-91870	62	3
127620-91930	62	4
127687-91210	63	2
127687-91220	63	6
127687-91240	63	5
127687-91250	63	16
127687-91770	63	11
127687-91780	63	14
127687-91790	58	9
		9
127687-91800	63	30
		13
127687-91840	63	7
		17
127687-91870	64	7
		7
127687-91880	64	35
		41
127687-91890	63	35
		46
127687-91880	64	36
		36
127687-91880	65	36
		34
127687-91880	66	40
		34
127687-91880	67	45
		45
127687-91890	63	18
		18

## Parts No. Index

Parts No.	Fig. No.	Ref. No.
127692-61550	37	77
127692-91410	64	30
	65	30
	66	8
	67	35
	68	8
	69	40
127692-91440	64	31
	65	31
	66	11
	67	36
	68	11
	69	41
127692-91450	64	32
	65	32
	66	13
	67	37
	68	13
	69	42
128170-13600	15	31
	28	27
	70	12
128170-34800	8	18
128170-86500	44	51
	45	12
128170-86501	44	51 -1
	45	12 -1
128170-91020	57	9
128170-91031	57	10
128170-91160	54	9
	55	10
128170-91310	56	4
	57	3
128170-91810	56	9
	57	12
128170-91820	56	10
	57	13
128170-91830	57	14
128171-07150	10	1
128171-91110	73	1 -3
128171-91210	73	6 -1
128270-91350	58	10
	59	10
128271-77200	49	1
128271-77720	49	4
128271-77740	49	6
128271-77750	49	7
128296-07190	10	6
128296-07260	10	2
128296-07300	10	16

Parts No.	Fig. No.	Ref. No.
128296-07350	10	3
128296-07400	10	7
128296-07420	10	8
128296-07450	10	9
128296-07460	10	10
128370-86280	44	59
	45	17
128371-01800	1	38
	2	28
128391-77720	54	27
128391-91260	64	5
	65	5
128391-91440	64	23
	65	23
128391-91640	64	22
	65	22
128391-91700	64	35
	65	35
128391-91740	64	24
	65	24
128391-91860	64	6
128391-91930	64	18
	65	18
128397-44500	28	28
128397-44510	28	29
128695-44090	15	2
	29	2
	30	1
	31	1
128696-91100	57	15
	62	18
129001-01250	1	12 -1
	2	9 -1
129001-02800	1	16
129002-22510	19	3
129002-22950	19	18
129052-42050	27	3 -1
129052-42310	27	4 -1
129054-42320	27	2 -1
129100-01520	3	2
129100-01580	1	23
	5	1
		5
	18	2
129100-01640	5	6
129100-11100	11	17
129100-11110	11	18
129100-23910	19	15
129100-25061	17	9
129100-35140	24	24

Parts No.	Fig. No.	Ref. No.
129100-35140	25	8
129100-51570	35	45 -1
129100-59951	41	24
129100-61400	37	16
129100-61730	37	92
129100-61930	37	83
		93
129100-77500	14	15
129100-77510	14	16
129107-44590	28	26
129120-11100	12	15
129120-11110	12	16
129131-61500	37	30
129150-01200	1	36
	2	40
129150-01870	3	6
	4	7
129150-01881	3	7
	4	8
	26	22
		28
129150-02020	1	7
	2	14
129150-02450	17	2
129150-02800	2	17
129150-02870	1	26
	2	34
129150-02930	1	19
	2	20
129150-02940	1	29
	2	37
129150-03020	13	3
		19
129150-03070	13	4
		20
129150-03080	13	5
		21
129150-11230	11	37
	12	42
129150-11280	11	32
	12	39
129150-11370	11	14
	12	22
129150-11750	11	39
	12	43
129150-11810	11	25
	12	27
129150-14101	17	4
129150-14200	17	6
129150-14400	17	7

Parts No.	Fig. No.	Ref. No.
129150-21200	18	4
129150-23600	19	13
129150-23610	19	22
	20	15
129150-25020	17	15
129150-25052	17	16
129150-25101	17	10
129150-25920	17	13
129150-32020	24	14
	25	3
129150-35041	24	16
129150-35151	24	27
	25	6
129150-42020	27	18
129150-42300	27	6
129150-42320	27	2
129150-59580	41	23
129155-11260	11	30
	12	37
129155-11270	11	31
	12	38
129155-51020	35	4
129155-51140	35	13
129155-51180	35	15
129155-51200	35	17
129155-51270	35	24
129155-51280	35	25
	37	2
129155-51380	35	34
129155-51390	35	35
129155-51410	35	37
129155-51420	35	38
129155-51450	35	39
129155-51521	35	41
129155-51530	35	42
129155-51540	35	43
129155-51550	35	44
129155-51570	35	47
129155-51580	35	48
129155-51591	35	49
129155-51600	35	50
129155-51790	35	65
129155-52050	38	2
129155-61060	37	5
129155-61070	37	6
129155-61071	37	6 -1
129155-61120	37	7
129155-61130	37	8
129155-61140	37	9
129155-61180	37	10

## Parts No. Index

Parts No.	Fig. No.	Ref. No.
129155-61341	37	15
129155-61430	37	19
129155-61450	37	24
129155-61460	37	25
129155-61470	37	86
129155-61490	37	28
129155-61540	37	75
129155-61810	37	44
129155-61830	37	46
129156-44760	27	20
129156-51910	35	56
129158-52000	35	66
	38	1
129158-52100	38	3
129170-49060	29	23
129170-91260	67	8
129170-91610	64	25
	65	25
	66	14
	67	30
	68	14
	69	34
129170-91650	64	8
	65	8
	66	18
	67	11
	68	18
129170-91800	64	13
	65	13
	67	16
	69	19
129170-91810	64	17
	65	17
	67	10
	69	7
129170-91850	66	27
	67	38
	68	27
129170-91860	66	29
	67	9
	68	29
129170-91890	68	31
129170-91930	66	32
	67	20
	68	32
129171-03090	13	13
129171-44600	28	25 -1
129171-49900	29	18
	30	20
129171-81010	70	2

Parts No.	Fig. No.	Ref. No.
129171-81020	70	3
129171-91171	58	1
129171-91172	58	1 -1
		1 -2
129171-91173	59	1
129171-91174	59	1 -1
129171-91200	58	6
	59	6
129171-91600	58	3
	59	3
	59	8
129171-91850	56	8
129171-91880	58	13
	61	5
129190-51590	35	49 -1
129202-22300	19	7
129270-39620	54	11 -1
129270-44490	22	9
		9 -1
	28	14
		14 -1
129270-59550	41	21 -3
	42	19 -2
129270-59580	41	23 -2
	42	21 -1
129270-81010	70	4
129270-81011	70	4 -1
129270-81020	70	1
129270-81021	70	1 -1
129270-81070	70	2 -1
129270-81080	70	3 -1
129270-81110	70	4 -2
129270-81120	70	1 -2
129270-81170	70	2 -2
129270-81180	70	3 -2
129270-92100	72	1
129270-92610	72	5
129270-92620	72	6
129270-92630	72	7
129270-92640	72	8
129270-92650	72	3
129270-92690	72	4
129271-91110	73	1
129271-91111	73	1 -1
129271-91112	73	1 -2
129271-91120	73	2
129271-91130	73	3
129271-91131	73	3 -1
129271-91132	73	3 -2
129271-91140	73	4
129271-91150	73	5

Parts No.	Fig. No.	Ref. No.
129271-91160	74	1
129271-91161	74	1 -1
129271-91162	74	1 -2
129271-91170	74	2
129271-91180	74	3
129271-91181	74	3 -1
129271-91182	74	3 -2
129271-91190	74	4
129271-91200	74	5
129271-91210	73	6
	74	6
129271-91220	73	7
	74	7
129271-91230	73	8
	74	8
129271-91240	74	9
129271-91250	74	11
129271-91260	73	10
	74	12
129301-03660	13	14
		30
129301-34830	8	7
	9	12
	23	22
129400-01730	8	2
129400-11350	13	1
129400-77501	14	19
129407-21000	18	1
129408-01330	1	37
129410-03990	13	15
		31
129418-21000	18	1 A
129468-53000	39	2
129470-01531	4	4
129470-01550	4	5
129470-01620	5	12
129470-01710	9	2
129470-01750	9	3
129470-07230	11	46
	12	49
129470-08100	6	19
129470-08110	6	12
129470-08120	6	14
129470-11080	11	7
129470-11090	11	8
129470-11920	12	31
	39	14
		28
129470-12100	14	1
129470-12120	14	3

Parts No.	Fig. No.	Ref. No.
129470-12130	14	5
129470-12210	14	12
129470-12301	15	7
129470-12320	15	9
129470-12330	15	10
129470-13541	28	36
129470-14000	17	1
129470-32000	25	2
129470-35040	25	1
129470-35121	24	26
129470-39452	21	16
129470-42001	27	1
129470-42002	27	1 -1
129470-42050	27	3
129470-42310	27	4
129470-44440	28	11 -1
129470-44450	28	9 -1
129470-49010	29	3
129470-49050	28	38
129470-49060	29	26
129470-49110	29	28
129470-49200	31	2
129470-49220	31	3
129470-49240	31	4
129470-49250	31	5
129470-49260	31	6
129470-49540	27	12
129470-49801	27	14
129470-49810	27	15
129470-51060	35	7
129470-51080	35	8
129470-51101	35	10
129470-55601	41	1
129470-55701	41	3
129470-59120	41	9
		10
129470-59121	41	9 -1
129470-59122	41	9 -2
129470-59530	41	19
129470-59540	41	20
	42	13
129470-59541	41	20 -1
129470-59542	41	20 -2
129470-59560	41	22
129470-59561	41	22 -1
129470-59562	41	22 -2
129470-61590	37	84
129470-61650	37	41
129470-67200	44	32
129470-67300	44	20

## Parts No. Index

Parts No.	Fig. No.	Ref. No.
129470-67310	44	21
129470-67320	44	22
129470-67550	44	48
129470-67560	44	49
129470-77330	48	22
	50	30
	51	21
	52	23
129470-77340	51	22
	52	24
129470-77590	14	17
		17 -1
	15	13
129470-77971	44	23
129470-83750	71	14
		27
129470-85900	71	10
		26
129470-86250	45	16
129470-86310	45	18
129470-86500	44	47
	45	15
129470-91100	60	1
129470-91101	60	1 -1
		1 -2
129470-91102	61	1
129470-91103	61	1 -1
129470-91150	60	6
129470-91160	58	16
	60	32
129470-91161	58	16 -1
	59	16
	60	32 -1
	61	32
129470-91170	60	18
	61	18
129470-91180	58	2
	59	2
	60	9
	61	8
129470-91190	56	5
	57	17
	58	18
	59	18
	60	8
	61	7
	64	16
	65	16
	67	7
	69	23

Parts No.	Fig. No.	Ref. No.
129470-91191	66	3
	68	3
129470-92300	72	9
129470-92310	72	10
129470-92320	72	11
129472-13500	15	21
129472-13520	15	17
		24
129472-13550	15	25
129472-13560	15	23
		26
		28
		37
129472-14000	17	1 A
129472-18090	15	32
	28	34
129472-39020	23	1
129472-39620	23	16
129472-49040	15	33
129472-49050	15	27
129473-01700	9	1
129473-08100	6	11
		22
129473-08110	6	13
		23
129473-34850	9	13
129473-34880	9	14
129473-35091	25	19
129473-44000	28	2 -1
129473-44111	28	13 -1
129473-44900	28	1 -1
129473-49310	27	22
129473-81001	70	22
129473-81012	70	23
129473-81022	70	24
129473-81032	70	25
129473-85900	71	8
		25
129474-33500	22	17
129474-39450	23	13
129474-49010	29	22
129474-49030	30	5
129474-49320	31	9
129474-81011	70	28
129474-81021	70	29
129475-49040	29	15
129486-01670	5	9
129486-42050	27	18 -1
129490-49070	29	17
		24
		30
		19

Parts No.	Fig. No.	Ref. No.
129490-77910	54	13
129494-49050	30	12
129494-49060	30	13
129495-39350	23	6
129495-39360	23	5 A
129495-39361	23	5 A-1
129495-49010	30	2
129495-59300	41	18
129495-59551	42	19
129495-59552	41	21 -1
129495-59553	41	21 -2
	42	19 -1
	49	8
129495-77330	49	8
129495-91010	56	2
129497-61450	37	86 -1
129497-61470	37	26
129497-61480	37	27
129497-61490	37	29
129499-59812	40	4
129499-59822	40	8
129499-59832	40	12
129499-59842	40	16
129499-61440	37	23
129499-61870	37	47
129499-61890	37	48
129506-51040	35	5
129550-11290	11	33
	12	34
129550-11310	13	7
		23
129550-13110	28	44
129550-42350	27	19
129553-39650	2	32
129555-11241	11	29
	12	32
129555-51400	35	36
129555-51500	35	40
129555-51700	35	51
129555-51701	35	51 -1
129555-51710	35	52
129555-51711	35	52 -1
129555-51750	35	53
129555-51751	35	53 -1
129555-51760	35	54
129555-51761	35	54 -1
129570-12300	14	10
129570-34880	8	19
129570-59120	41	10 -1
129570-59121	41	10 -2
129570-77820	55	3

Parts No.	Fig. No.	Ref. No.
129570-77920	55	15
129570-77960	54	19
129570-91320	55	11
129570-91850	64	33
	65	33
129571-18130	15	12
129571-18140	14	22
129573-22301	20	7
129573-25090	17	20
129573-51330	35	29
129573-51340	35	30
129573-51370	35	33
129573-67300	44	20 -1
129573-77932	54	2
129573-77951	54	14
	55	16
129573-77952	54	14 -1
	55	16 -1
129573-77960	54	15
	55	17
129574-21590	18	8 A
129574-55700	42	6
129574-55710	42	5
129574-55711	42	5 -1
129574-55730	42	4
129574-55780	42	9
129574-55800	42	3
129574-59950	40	43
129574-59990	42	22
129574-77710	54	28
129574-77720	54	29
129574-77740	54	30
129574-77820	55	3 A
129574-77860	56	12
	57	18
	58	19
	60	34
	62	40
	63	21
129574-77911	54	2 A
129574-77980	54	23
129574-91130	65	1
129574-91160	67	1
129574-91161	67	1 -1
		1 -2
129574-91162	68	1
129574-91190	69	1
129574-91200	65	2
	67	2
	68	4

## Parts No. Index

Parts No.	Fig. No.	Ref. No.
129574-91200	69	2
129574-91210	66	5
	67	5
	68	5
	69	5
129574-91220	67	6
	69	6
129574-91221	67	6 -1
129574-91222	66	6
	68	6
129574-91240	69	10
129574-91260	69	8
129574-91410	64	9
	65	9
	67	12
	69	15
129574-91420	64	20
	65	20
	66	9
	67	22
	68	9
	69	26
129574-91430	66	10
	67	25
	68	10
	69	29
129574-91440	66	12
	67	28
	68	12
	69	32
129574-91490	69	12
129574-91560	54	25
129574-91561	54	25 -1
129574-91570	54	26
129574-91600	69	38
129574-91620	64	19
	65	19
	66	15
	67	21
	68	15
	69	25
129574-91630	66	16
	67	24
	68	16
	69	28
129574-91640	66	17
	67	27
	68	17
	69	31
129574-91650	64	29

Parts No.	Fig. No.	Ref. No.
129574-91650	65	29
	66	19
	67	34
	68	19
	69	39
129574-91710	64	26
	65	26
	66	20
	67	31
	68	20
	69	35
129574-91720	64	21
	65	21
	66	21
	67	23
	68	21
	69	27
129574-91730	66	22
	67	26
	68	22
	69	30
129574-91740	66	23
	67	29
	68	23
	69	33
129574-91750	64	27
	65	27
	66	24
	67	32
	68	24
	69	36
129574-91760	64	38
	65	37
	66	25
	67	42
	68	25
129574-91770	64	28
	65	28
	66	26
	67	33
	68	26
	69	37
129574-91780	64	14
	65	14
	67	17
	69	20
129574-91790	64	15
	65	15
	67	18
	69	21

Parts No.	Fig. No.	Ref. No.
129574-91850	69	43
129574-91860	69	9
129574-91870	64	3
	65	3
	66	30
	67	3
	68	30
	69	3
129574-91880	69	13
129574-91890	66	31
	67	19
	69	22
129574-91930	69	24
129577-11350	13	17
129590-59200	24	32
	55	1
129590-67101	44	31
129590-67110	44	46
129590-67140	44	8
129590-67310	44	1
129590-67420	44	13
129595-18141	15	15
129595-61012	37	3
129595-61050	37	4
129595-61080	37	85
129595-61200	37	11
129595-61201	37	11 -1
129595-61610	37	39
129595-61631	37	40
129595-61660	37	42
129595-61802	37	43
129595-61821	37	45
129595-61901	37	49
129595-61911	37	50
129595-61931	37	51
129595-61951	37	52
129595-61961	37	53
129595-61962	37	53 -1
129595-67310	44	12
129608-77010	46	1 -1
	47	1 -1
129608-77110	46	26
	47	41
129612-77710	49	3
129670-01500	3	1
129670-01600	5	2
129670-01630	70	15
129670-01720	8	1
129670-07560	10	18
129670-08100	6	1

Parts No.	Fig. No.	Ref. No.
129670-08110	6	2
129670-08120	6	3
		12 -1
	7	1
129670-08130	6	4
		14 -1
	7	2
129670-08150	6	20
129670-08160	6	21
129670-08180	6	24
129670-08190	6	25
129670-08200	6	18
129670-08340	6	9
129670-08350	6	10
	7	9
129670-13560	28	33
129670-21590	18	8
129670-21700	70	16
129670-21710	70	17
129670-22000	19	1
129670-22090	19	16
129670-32000	24	1
129670-33000	21	1
129670-33510	21	2
129670-33520	21	3
129670-33530	21	4
129670-34800	8	6
129670-34810	8	18 -1
129670-34880	8	8
129670-35090	24	17
129670-35101	24	22
129670-39201	21	6
129670-39300	21	9
129670-42500	26	1
129670-42501	26	1 -1
129670-42510	26	1 -2
129670-42520	26	6
129670-42530	26	3
129670-42540	26	5
129670-42550	26	7
129670-42560	26	11
129670-42570	26	20
129670-42580	26	17
129670-42700	26	21
129670-44000	28	2
129670-44400	28	13
129670-44410	28	11
129670-44420	22	7
	28	9
129670-44570	28	31



## Parts No. Index

Parts No.	Fig. No.	Ref. No.
129670-44600	28	25
129670-44900	28	1
129670-49010	29	4
	30	3
129670-49030	29	5
129670-49040	29	6
129670-49070	29	27
129670-49110	29	4 -1
	30	3 -1
129670-49130	29	5 -1
129670-49140	29	6 -1
129670-49150	29	15 -1
129670-49290	15	2 -1
	29	2 -1
	30	1 -1
	31	1 -1
129670-49350	29	7
129670-49500	15	36 -1
		38 -1
	29	9 -1
		16 -1
		19 -1
		25 -1
	30	7 -1
		14 -1
		21 -1
	31	7 -1
	32	13 -1
129670-51300	35	26
129670-77200	48	1
129670-77340	48	23
	49	9
	50	23
	53	21
129670-77430	48	22 -1
	49	8 -1
	50	30 -1
	53	22
129670-77940	54	3 -1
	55	4 -1
129670-77990	54	33
	59	19
	61	42
129670-81010	70	5
129670-81020	70	6
129670-81030	70	7
129670-81040	70	8
129670-81050	70	9
129670-81060	70	10

Parts No.	Fig. No.	Ref. No.
129670-81070	70	11
129670-81850	18	30 -1
129670-85900	71	5
129670-85910	71	20
129670-86250	44	57
129670-86310	44	58
129670-91110	56	1
129670-91130	64	1
129670-91162	66	1
129670-91200	56	11
129671-07560	10	19
129671-13550	15	18
129671-18001	15	1
	16	1
129671-22000	20	1 -1
129671-33000	22	2
129671-33001	22	2 -1
129671-49040	30	5 -1
129671-49050	15	27 -1
129671-49100	30	24
129671-49110	30	25
129671-49210	31	6 -1
129671-49990	14	23
129671-51900	36	3
129671-53000	39	16
129671-53001	39	16 -1
129671-77510	14	27
129671-77900	54	32
129671-77920	14	28
129672-03090	13	29
129672-25100	17	17
129672-49020	30	4
129673-01500	4	1
129673-01600	5	11
129673-08100	7	5
129673-08110	7	6
129673-08120	7	7
129673-08130	7	8
129673-08140	7	3
129673-08150	7	4
129673-22000	20	1
129673-33000	22	1
129673-33001	22	1 -1
129673-33020	22	5
129673-33030	22	6
129673-33040	22	8
129673-33041	22	8 -1
129673-33050	22	16
129673-33100	22	3
129673-33101	22	3 -1

Parts No.	Fig. No.	Ref. No.
129673-33130	22	14
129673-39300	23	5
129673-39301	23	5 -1
129673-49020	30	4 -1
129673-49030	29	29
	30	11 -1
		15
129673-49050	15	33 -1
129673-49070	30	12 -1
129673-49080	30	13 -1
129673-49100	29	30
	30	16
129673-49220	31	2 -1
129673-49230	31	4 -1
129673-51250	36	2
129673-54030	36	8
129673-55650	42	1
129673-59121	42	13 -1
129673-59950	40	48
129673-81010	70	26
129673-81020	70	27
129673-81760	18	26
129673-91160	74	1 -3
129673-91210	74	6 -1
129690-02800	1	16 -1
	2	17 -1
129690-02870	1	26 -1
	2	34 -1
129690-22000	19	1 -1
129690-22510	19	3 -1
129690-61060	37	5 -1
129691-25900	36	20
129693-01330	2	30
129693-01510	4	2
129693-01520	4	3
129693-21650	18	12
129693-21660	18	13
129693-28010	18	14
129693-35130	25	5
129693-35150	25	7
129693-35170	25	9
129693-39250	23	2
129693-39251	23	2 -1
129693-39600	23	14
129693-59560	42	20
129693-59562	42	20 -1
129693-59810	40	27
129693-59811	40	27 -1
129693-59820	40	31
129693-59821	40	31 -1

Parts No.	Fig. No.	Ref. No.
129693-59830	40	35
129693-59840	40	39
129693-67101	45	1
129693-67102	45	1 -1
129693-67210	36	5
129695-77370	48	24
	49	10
	50	24
129695-77380	48	25
	49	11
	50	25
129698-12100	14	1 -1
129698-77010	46	1
129698-77020	46	2 -1
		24
	47	39
129698-77100	46	3
129698-77101	46	3 -1
		25
	47	40
129698-77110	46	4
129698-77120	46	5
		27
	47	42
129698-77130	46	6
		29
	47	44
129698-77140	46	7
		28
	47	43
129698-77150	46	8
		30
	47	45
129698-77160	46	9
129698-77161	46	9 -1
		31
	47	46
129698-77170	46	32
	47	47
129698-77180	46	10
		39
	47	54
129698-77190	46	11
		40
	47	55
129698-77200	46	12
		41
	47	56
129698-77210	46	13
		42

## Parts No. Index

Parts No.	Fig. No.	Ref. No.
129698-77210	47	57
129698-77220	46	14
		43
		47 58
129698-77230	46	15
		44
		47 59
129698-77240	46	16
		37
		47 52
129698-77250	46	17
		38
		47 53
129698-77260	46	18
		33
		47 48
129698-77270	46	20
		35
		47 50
129698-77280	46	21
		36
		47 51
129772-77200	48	1 -1
		1 -2
		51 1
		3
129772-77250	49	16
129772-77260	49	17
129772-77270	49	18
129772-77280	49	19
		50 34
129792-39610	23	15
129795-01780	5	8
		13
129795-01800	3	5
		4 6
129795-01950	1	22
		2 24
		3 8
		4 9
129795-02411	1	10
		2 23
129795-11080	12	6
129795-11090	12	7
129795-11120	11	19
		12 17
129795-11180	11	20
		12 18
129795-48800	32	1
129795-49551	27	13

Parts No.	Fig. No.	Ref. No.
129795-59100	42	24
129900-07900	11	44
		12 47
129930-61950	36	18
129930-61960	36	19
129C26-01890	3	7 -1
		4 8 -1
		26 28 -1
135210-61090	37	94
138603-59380	43	4
144626-91560	54	21
144626-91570	54	22
157854-04300	58	17
		59 17
		60 12
		61 12
171007-49400	15	3
		3 -1
171008-77010	47	1
171008-77400	47	5
171008-77440	47	9
171008-77450	47	10
171008-77460	47	11
171008-77470	47	12
171008-77480	47	13
171008-77490	47	14
171008-77500	47	2
171008-77510	47	3
171008-77520	47	4
171008-77531	47	15
171008-77540	47	16
171008-77571	47	19
171008-77640	47	26
171008-77650	47	27
171008-77660	47	28
171008-77670	47	29
171008-77750	47	36
171051-01921	1	6
		2 5
171078-66551	44	19
174307-51170	35	14
174307-51700	37	31
177050-02811	10	13
177050-02821	10	15
177061-02811	10	14
177070-03520	18	18
177073-02431	10	12
		21
177073-03191	18	30
177074-06350	54	15 A

Parts No.	Fig. No.	Ref. No.
177075-02550	10	11
177088-02430	10	5
		20
177090-03500	18	20
		24
		28
177099-03500	18	22
183350-55130	54	34
194151-55820	57	11
194250-51660	14	24
		54 1
194440-51620	31	10
194555-55820	58	15
		59 15
		61 25
194555-62750	55	2
196440-04310	18	28 -1
196630-12980	10	17
198451-78680	64	37
		66 2
		68 2
22113-060000	44	60
		45 19
22117-040000	37	56
22117-060000	37	57
22117-080000	44	25
22133-080000	15	35
22137-060000	44	6
22137-080000	15	19
		37
		48 26
		49 12
		50 26
		51 23
		52 26
		53 23
		54 5
		55 6
22137-100000	48	27
		49 13
		50 27
		51 24
		52 27
		53 24
22190-060002	37	58
22190-080002	3	10
		11
		14 21 -1
		21 21
		41 33 -1

Parts No.	Fig. No.	Ref. No.
22190-100002	37	59
22190-120002	37	60
		60 -1
		41 14 -1
		34 -1
		42 16 -1
		23 -1
22190-140002	8	11
		41 35 -1
22190-160002	35	57
22217-050000	35	58
		44 37
		61
		45 20
		57 7
22217-060000	35	59
		44 26
		54 31
		55 23
22217-080000	8	12
		9 18
		18 15
		31
		25 20
		27 21
		40 21
		44 38
		62
		45 21
		54 6
		55 7
		70 18
22217-100000	8	13
		9 19
22242-000100	44	36
		45 6
22252-000260	19	8
22252-000280	20	8
22272-000040	37	76
22272-000060	37	61
22287-120000	37	62
22312-080160	2	25
22351-030010	2	27
22351-050010	35	60
22351-060012	1	24
		2 26
		11 15
		12 25
22360-080000	44	7
		27

## Parts No. Index

Parts No.	Fig. No.	Ref. No.
22372-040000	37	63
22372-050000	44	2 -1
22372-060000	37	64
22414-160100	44	63
	45	22
22414-250150	44	2
	39	8
	45	8
22453-060000	37	95
22512-070140	17	5
	18	5
22512-070160	18	16
22717-410160	60	33
	61	36
	62	47
22724-800380	46	48
	47	63
23000-013000	31	11
	41	17 -2
	42	17 -1
23000-016000	41	13 -2
		17 -1
		32 -2
	42	15 -1
		25
23000-019000	41	13 -1
		32 -1
23000-022000	29	32
	30	10
		22
23000-025000	23	18
	31	12
23000-035000	15	36
		38
	29	9
		16
		19
		25
	30	7
		14
		21
23000-041000	31	7
	32	13
23000-054000	14	11
	15	11
23000-060000	15	16
23010-013000	28	32
23010-014000	43	5
23061-070300	1	33
	2	31

Parts No.	Fig. No.	Ref. No.
23061-070300	15	5
	29	10
	30	8
23061-120300	28	17
23072-040300	30	11
23072-101000	32	12
23080-013000	28	10
	41	13
		32
	42	15
23297-160081	13	32
23297-180081	54	4 -1
23414-080000	1	34
	4	10
	14	21
	41	33
	44	40
23414-100000	2	12
	14	6
	21	22
	23	19
23414-120000	2	41
	41	14
		34
	42	16
		23
23414-140000	41	35
23414-160000	8	20
	9	20
23414-160021	9	4
23414-170000	28	5
		20
23414-180000	25	16
23414-200000	21	12
	23	8
23831-100000	8	21
23851-080000	8	14
23857-030000	2	33
23857-060000	41	15
23857-150000	21	13
	23	9
23871-010000	54	11
23871-020000	11	12
23871-030000	11	13
	28	18
23875-030000	27	5 -1
23876-010000	1	11
	2	6
	14	14
	54	11 A

Parts No.	Fig. No.	Ref. No.
23876-010000	55	13
23876-020000	12	10
	24	25
	25	11
23876-030000	1	15
	2	7
	12	11
23887-100002	2	13
	14	8 -1
	37	65
23887-120002	2	42
23887-160002	9	5
23894-030002	28	6
		21
24311-000060	32	11
24311-000110	37	66
24311-000120	13	12
		28
24311-000160	3	12
24311-000320	3	13
	13	36
		38
24311-240100	37	67
24314-000180	23	20
24321-000750	28	22 -1
24321-000800	22	11
	28	22
24341-000160	35	61
24341-000240	3	23
24341-000500	13	9
		25
	36	9
25132-004600	27	7
26013-080142	18	23
26013-080402	70	19
26022-050102	35	62
	37	68
26022-050122	35	62 -1
26022-050162	45	9
26022-060162	35	63
26106-060082	54	16
	55	18
26106-060102	27	8
	37	38
		69
	40	47
	44	28
26106-060122	14	30
26106-060162	3	24
	23	10

Parts No.	Fig. No.	Ref. No.
26106-060162	23	21
	44	53
	45	23
26106-060182	37	70
26106-060202	37	71
	40	22
		44
		44 -1
	44	29
	54	16 -1
26106-060322	47	37
26106-060402	47	38
26106-080102	41	36
26106-080122	1	35
	3	14
	4	11
	9	21
	14	20 -1
	21	5
	29	11
	40	45
	44	10
		30
		41
	45	10
26106-080142	17	8
	22	18
	25	21
	30	23
	55	8
26106-080162	3	15
		16
	4	12
	8	3
		15
	9	22
	11	45
		47
	12	48
		50
	13	10
		26
	18	17
		19
		21
		25
		29
		32
	22	19
	24	33

## Parts No. Index

Parts No.	Fig. No.	Ref. No.	
26106-080162	26	23	
		26	
	28	23	
	29	12	
		13	
	30	9	
	54	7	
	26106-080202	14	7
		18	27
		24	28
25		17	
40		23	
70		13	
26106-080222		18	29 -1
		8	4
26106-080252		9	6
			7
	8		
	11	42	
	12	45	
	22	12	
		20	
	27	16	
	28	24	
	42	26	
	44	42	
	48	28	
	49	14	
	50	28	
	51	25	
	52	28	
	53	25	
26106-080302	22	13	
26106-080352	5	10	
	15	29	
	24	21	
	25	22	
	27	17	
26106-080402	9	9	
	14	18	
	15	14	
	70	20	
26106-080452	3	17	
	4	13	
	8	5	
	17	14	
26106-080502	11	43	
	12	46	
	24	29	
	25	18	

Parts No.	Fig. No.	Ref. No.
26106-080552	3	18
	4	14
	27	9
		10
		11
26106-080602	27	10 A
26106-080652	27	11 B
	36	10
	48	21
	49	15
	50	29
	52	29
	53	28
26106-080702	9	10
26106-080752	36	11
26106-080852	3	19
	4	15
26106-081002	28	41
26106-100122	14	8
26106-100162	14	31
	54	17
	55	19
26106-100182	36	12
26106-100202	6	5
		15
	7	11
26106-100222	6	5 -1
		15 -1
	7	11 -1
	8	16 -1
	9	23 -1
	36	13
26106-100252	8	16
	9	11
		23
	23	23
	71	28
26106-100302	5	14
	6	6
		7
	53	26
	70	30
26106-100322	71	1
		11
		17
26106-100752	53	27
26116-050142	44	3
		14
26116-050202	44	15
26116-050302	35	64

Parts No.	Fig. No.	Ref. No.
26116-080302	32	14
26116-101202	51	26
	52	30
26116-120252	6	8 -1
		16 -1
26116-120302	6	8
		16
	7	12
	46	46
	47	61
26206-100252	5	3
26206-100302	5	4
26216-060202	11	11
	12	14
26216-080182	3	20
	4	16
26216-080222	11	16
	12	23
26216-080282	36	14
26216-081002	12	24
	28	42
26216-100352	42	10
26216-100452	41	5
26226-080182	11	40
	12	44
26226-100222	70	31
26306-080002	3	21
	8	17
	9	24
	13	33
	14	9
	24	34
	26	24
		27
	28	43
	29	14
	36	15
		16
	44	54
	45	24
	70	14
26306-100002	41	6
	42	11
26366-060002	40	24
		46
	46	-1
	46	-2
26366-080002	37	72
	44	43
26367-060002	12	51

Parts No.	Fig. No.	Ref. No.
26450-060252	24	15
	25	4
26450-080182	70	21
26450-080282	71	19
26450-120402	71	16
26476-060142	14	4
26557-050082	44	55
	45	25
26557-050122	44	44
26664-080002	32	7
26703-080002	15	6
		20
		30
	28	35
		40
	32	15
26706-100002	71	2
		12
		18
26716-050002	44	45
	57	6
26716-060002	14	32
	35	55
26716-080002	14	33
	55	9
26716-100002	41	7
	42	12
	51	27
	52	25
	70	32
26716-120002	72	12
26756-050002	44	4
		16
26756-060002	23	11
	37	73
26756-080002	11	41
	12	33
	71	3
26776-120002	37	74
26777-120002	37	82
27225-100140	1	25
	2	8
27231-500000	1	12
	2	9
27241-120000	1	13
	2	10
27241-220000	11	9
	12	12
27241-280000	28	8
		8 -1

## Parts No. Index

Parts No.	Fig. No.	Ref. No.
27241-300000	1	14
	2	11
27241-400000	11	10
	12	13
27310-080001	11	21
	12	19
41710-000380	44	52
	45	14
41710-000410	44	17
		56
	45	11
		26
41710-001300	44	9
41730-000681	44	50
	45	13
43530-500570	29	20
	30	17
43580-500680	54	12
	55	14
43662-025030	29	21
	30	18
43720-001220	24	31
	25	24
46150-003610	58	11
	59	11
	60	10
	62	30
	63	12
46150-003620	58	12
	59	12
	61	9
	63	15
48110-028063	71	7
48110-028071	71	21
48110-030061	71	22
48110-032065	71	23
48110-032411	71	4
48110-034071	71	6
		24
711100-51540	35	20
729150-23600	20	13
729402-11650	11	36
	12	40
729402-23100	19	9
729499-54100	38	19
729573-23700	20	9
729670-01560	1	1
729670-11700	11	1
729670-51300	35	1
729670-53100	39	1

Parts No.	Fig. No.	Ref. No.
729671-53100	39	15
729671-53101	39	15 -1
729672-11000	12	1 -1
729690-22540	19	18 -1
729692-22510	20	3
729693-01560	2	1
729697-11700	12	1
83213-003012	43	7
977780-01200	34	1
977780-01210	33	1
977780-01230	33	2
	34	2
977780-01240	34	3
977780-01250	33	3
977780-03000	33	9
	34	9
X0044021509	33	7
	34	7
X01357681	26	18
X0146531	26	4
X0505526	26	13
X0506590	26	9
X0508129	26	10
X0519503	26	12
X0529105	26	14
X0529530	26	15
X0534130	26	19
X053421	26	16
X1466584820	36	7
X179100011X	34	5
X179100021X	33	5
X179100100X	33	6
	34	6
X199903800X	33	8
	34	8
X2114255110	47	6
X2114535200	46	19
		34
	47	49
X2114555500	47	33
X2114955020	47	34
X2130350900	47	7
X2240410100	47	35
X6201NC	53	3
X6203BM	48	16
	51	16
X6303BM	53	16
X6303BM0000	50	18
	52	18
X8636008003	33	4

Parts No.	Fig. No.	Ref. No.
X8636008003	34	4
XL12013262	48	9
	51	9
XL13513134	48	12
	51	12
XL15014042	48	15
	51	15
XL15018015	48	18
	51	18
XL1501810	48	19
	51	19
	53	20
XL15028001	48	20
	51	20
	53	17
XL150M14041	50	17
	52	17
	53	15
XL15542001	48	4
	51	4
XL1556315	53	7
XL15571001	48	2
	51	2
XL155G1315	48	7
	51	7
XL155G1330	50	8
	52	8
XL155G6300	48	5
	51	5
XL1801200	53	4
XL180120000	50	4
	52	4
XL1801335	53	9
XL18018015	53	19
XL1805100	53	2
XL1805301	53	6
XL1805500	53	18
XL1808320	50	13
	53	13
XL180832000	52	13
XL1809300	53	5
XL180G13012	50	6
	52	6
XL180G43150	50	7
	52	7
XL180G61000	50	2
	52	2
XL180G63006	50	5
	52	5
XL180G85001	50	22

Parts No.	Fig. No.	Ref. No.
XL180G85001	52	20
XL2251318	53	11
XL2253320	48	13
	51	13
XL2253400	48	14
	51	14
XL225431800	50	11
	52	11
XL22553012	48	6
	51	6
XL2255320	53	8
XL2255330	48	8
	51	8
XL225G1325	50	9
	52	9
XL225G6500	48	17
	51	17
XL23534011	53	14
XL235340110	50	16
	52	16
XL2554318	48	11
	51	11
XNB131008	16	5
XNB133206	16	21
XNB133208	16	22
XNB134007	16	11
XNE923383	16	16
XNE928727	16	13
XNN131008	16	6
XNN131108	16	8
XNN131536	16	7
XNN131578	16	3
XNN131579	16	4
XNN131614	16	2
XNN133022	16	18
XNN133208	16	17
XNN133506	16	19
XNN133596	16	20
XNN133911	16	10
XNN134035	16	12
XNN136613	16	9
XNN137007	16	14
XNN137055	16	23
XNN137423	16	15
XTR1Z63	48	10
	51	10
	53	10
XTST25S001	32	2
XTST25S002	32	3
XTST25S003	32	4

# Parts No. Index

Parts No.	Fig. No.	Ref. No.
XTST25S004	32	5
XTST25S005	32	6
XTST25S007	32	8
XTST25S008	32	9
XTST25S009	32	10
XYM0234001N	68	36
XYM0234016N	66	36

Parts No.	Fig. No.	Ref. No.
-----------	----------	----------

Parts No.	Fig. No.	Ref. No.
-----------	----------	----------

Parts No.	Fig. No.	Ref. No.
-----------	----------	----------