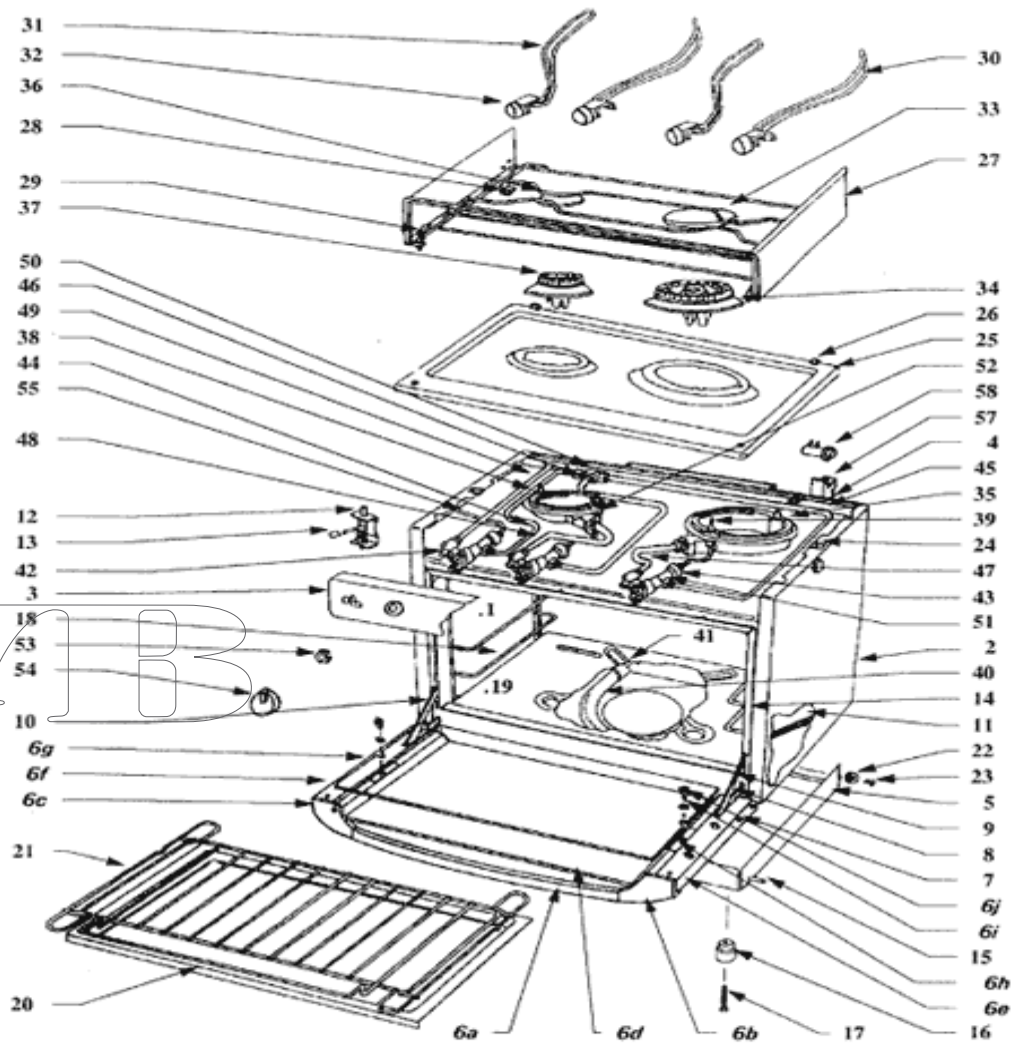


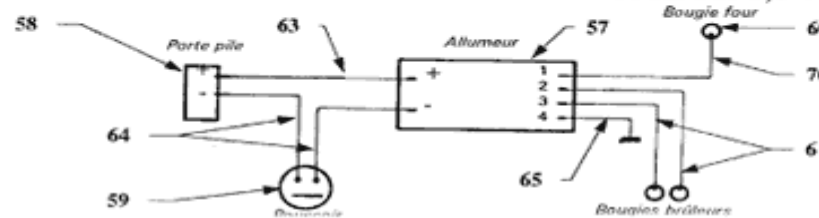
COOKER GASCOGNE since 09/1999

Reference	Designation	
1	04200030	Stainless steel inner oven
2	04200022	Side plate
3	0823003769	Fascia panel (incl. Ignitor hole)
4	0823002410	Welded oven rear plate
5	08200039	Bottom plate protection
6	59948	Right/h door section
6	59949	Left/h door section
6	55917	Inner oven double glass
6	73616	Black silicone section
6	64001	Wooden door handle Light
6	55916	Fascia glass
6	59947	Lefl/h door handle holder
6	59946	Right/h door handle holder
6	56826	Vis fixation double hublot en téflon
7	71265	Screw F Z, M6-35
8	04200034	Stainless steel door hinge
9	04200033	Right/h door sector
10	04200035	Left/h door sector
11	51341	Door spring
12	04207136	Welded door locking device
13	71267	Protection cap (Door locking device)
14	71022	Oven door tightness seal
15	08208146	Stainless steel anti-rolling bar
16	70110	Rubber foot
18	04207142	Oven shelf stainless steel
19	0440602960	Enamelled oven bottom plate
20	04200026	Dripping pan
21	04207143	Oven grid Stainless steel
22	57040	Brass wheel Ø 24 mm
23	51346	Tube
24	71383	Fast nut stainless steel
25	08200028	Stainless steel 2-burner spillage tray
26	58842	Rear pivot
27	08238138	Complete pan support
28	08230052	Panholder bar holding pillar
29	71444	Top grid swivel fastening
30	SC08200060	Right/h pan holder
31	SC08200061	Left/h pan holder
32	55018	Pan holder button
33	59993	Large burner cap
34	59997	Large burner cup (aluminium)

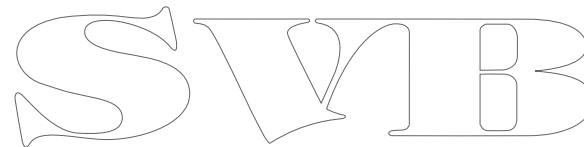
SVB



SCHEMA DU CABLAGE POUR ALLUMEUR 1,5 Volt



35	59996	Large burner pot + injector 80
36	59992	Medium burner cap
37	59998	Medium burner cup (aluminium)
38	59995	Medium burner pot + injector 67
39	71415	Thermocouple L 350 mm
40	04200053	Stainless steel oven burner
41	83203361	Stainless steel air ring
42	72102	Thermorama valve (ø 8 mm in + outlet)
43	72087	Safety valve + by-pass 0,42
44	08238159	Oven valve feeding pipe
45	08238158	Large burner valve feeding pipe
46	08238157	Medium burner valve feeding pipe
47	08238156	Large burner feeding pipe
48	08238155	Medium burner feeding pipe
49	0823816215	Oven bichromate feeding pipe
50	59972	3-outlet connection
51	57031	Female ferule nut Ø 8
52	57020	Male ferule nut Ø 8
53	57023	Brass nut M 12 x 1
54	55016	Black control knob
55	70655	Thermocouple
57	72645	1,5V igniting device
58	72647	Battery holder
59	72646	Pusher-button
60	72626	Oven / Grill sparking plug
61	72648	Spillage tray sparking plug + wire
63	72652	Electric connection (L 140 mm)
64	72650	Electric connection (L 600 mm)
65	72651	Electric connection (L 200 mm)


 The logo consists of the letters 'S', 'W', 'I', and 'B' in a stylized, outlined font. The 'S' is a simple outline. The 'W' is formed by two 'V' shapes joined at the top. The 'I' is a simple vertical bar with a small top serif. The 'B' is a simple outline with a vertical stem and two rounded bowls.