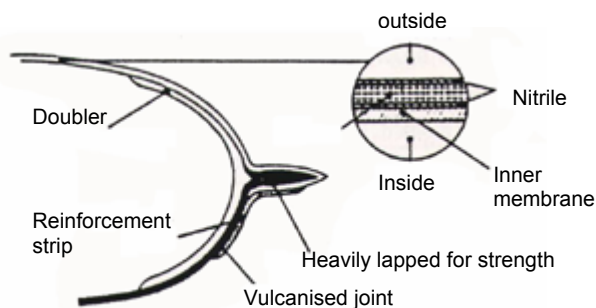


The technique of storing and transporting liquids through the use of flexible tanks has many advantages:

- lightness
- handiness
- adaptability

NAUTA® FLEXIBLE TANKS provide many advantages over rigid tanks and have, therefore, become very popular with both yacht-builders and boat owners.



Each of these tanks uses an extremely rugged 935-dtex nylon fabric, coated on both sides with a neoprene / nitrile compound.

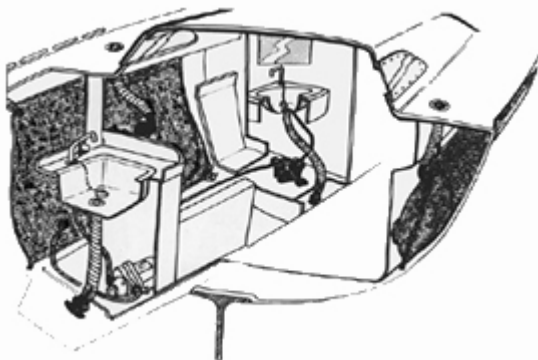
Heavily lapped seams are inside-reinforced with a “doubler” to provide extra strength. All NAUTA® tanks are vulcanised to assure leak proof panels and seams for years of trouble-free service.

All are covered by a warranty

Because of their flexibility and the NAUTA® range of sizes, these tanks can fit into almost any space, especially those odd-shaped places that would otherwise be wasted.

NAUTA® tanks are very easy to work with. Several for water and holding are available with fittings already installed. But NAUTA®'s construction allows custom placement of fittings to suit your particular requirements and makes it simple to install them (see fittings).

FOR WATER



Our most popular application is also the easiest way to increase or replace water capacity on boats whose tank is inadequate or deteriorated.

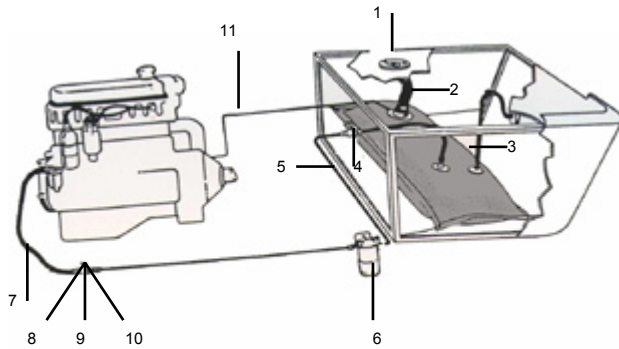
NAUTA® flexible water tanks use an exclusive Tedlar™ inside lining to maintain a taste-free system. Most PVC, fiberglass, other plastics and metal contribute a distinct, unpleasant flavour to fresh water, Tedlar™ does not. No venting is required for water tanks; only a fill pipe and a simple draw line to head and / or gallery pumps.

5 years warranty coverage.

These tanks are also popular among some sailors who use them as ballast tanks, knowing that the contents can also be used for emergency drinking water.

FOR DIESEL

BIG CAPACITY DIESEL TANK



1. Deck plug filler
2. Filler tube
3. Vent
4. Valve
5. Fuel line
6. Fuel Filter
7. Flexible fuel line
8. Fuel line bracket
9. Fuel line connector
10. Bolt
11. Ground

(example of installation for a diesel engine)

NAUTA® flexible diesel tanks can dramatically extend the range of powered sail and motor boats. They can be deck or cockpit mounted to gravity feed (or be hand-pumped) to tankage below decks. And, when empty, these tanks can be rolled up and stowed.

Sport and commercial fishermen heading into offshore waters and cruisers visiting remote ports (where refuelling may be unavailable or of suspect quality) will find these NAUTA® tanks an ideal, low cost solution.

NAUTA® gas tanks of 200 litres capacity and larger are supplied with adjustable hold-down straps with D-rings. Two N.P.T brass fittings allow this system to connect with conventional fuel line.

1 year warranty coverage

PORTABLE DIESEL TANK



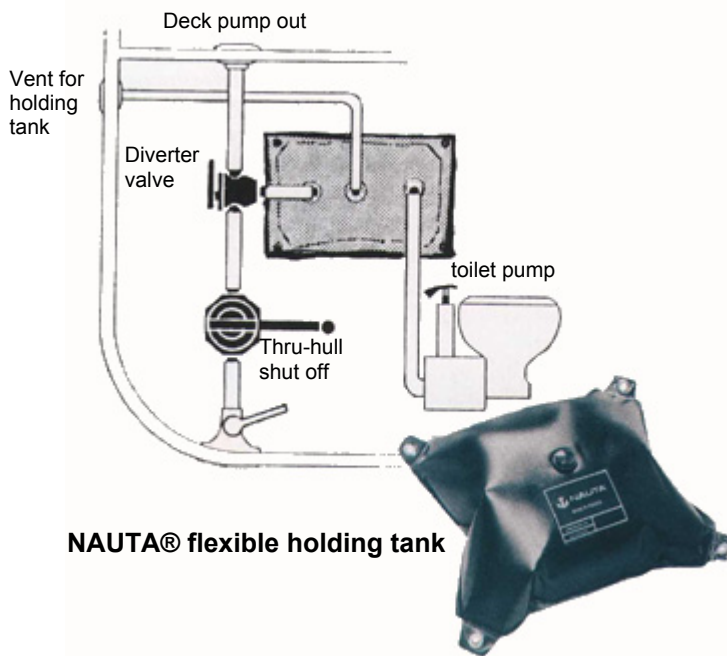
NAUTA® flexible portable tanks are a remarkable improvement over the traditional painted metal tanks.

Perhaps the most noticeable change: they do not leave rust rings on the floorboards or cockpit sole.

These roll-up when empty tanks offer convenience in use and in stowage. They are also more comfortable to carry than most rigid tanks. They do not rust, will not scrape your paint, are easier to tie down and do not rattle when you are underway.

1 year warranty coverage

FOR HOLDING: A SOLUTION FOR POLLUTION



NAUTA® flexible holding tank

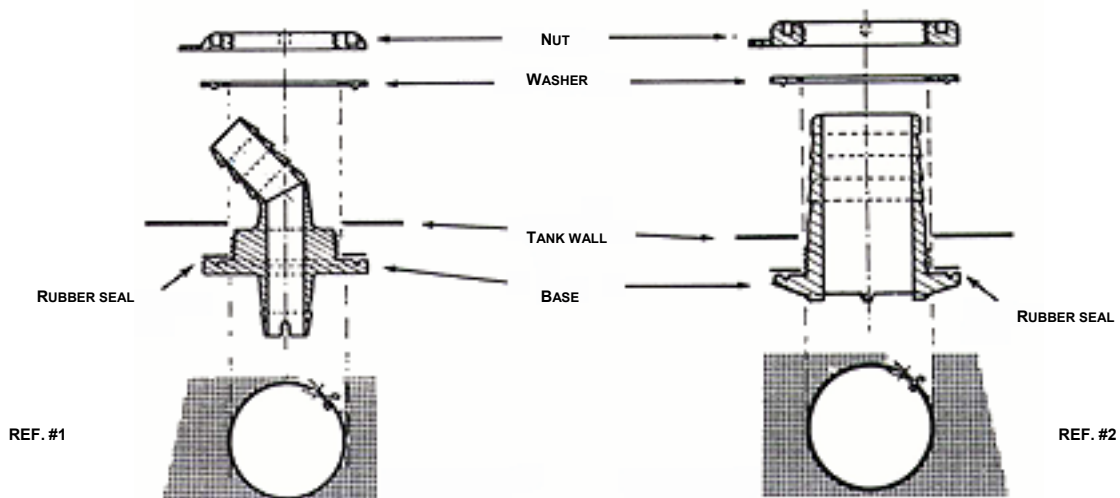
The more rigorously enforced laws against overboard discharge now make non-compliance extremely costly. A NAUTA® flexible holding tank, on the other hand, provides a relatively inexpensive Type III solution. In addition, the Teldar™ lining of these NAUTA® tanks prevents gas permeation, thus stopping a major odour problem with many other holding tanks. Combined with a few other components, this solution is both legal and far less costly than replumbing a vessel or installing a more complex and expensive Type I or Type II system: it occupies less space and requires no electrical power.

1 year warranty coverage

(the illustrated example would allow those travelling into unrestricted waters to pump overboard.)

FITTING INSTALLATION

- Start by determining the position of the tank, hose lengths, and location of the fittings. The fittings should be at least 4 inches in from the edge of the tank.
- Use the plastic clamp ring that comes with the fitting as a pattern.
- Trace the **inside** of the plastic clamp ring onto the tank. **Caution:** Do not make the hole any larger than the inside diameter.
- Remove cap on inspection fitting and separate top and bottom halves of the tank. Cut the traced outline with a pair of scissors, taking care to avoid damage to the opposite side.
- Bring the edges of the hole together by pinching the fabric in and sliding the fitting into place. This would be the same motion used when putting a button in a button hole. The fit should be tight.
- Place the rubber washer inside the tank and the plastic clamp ring outside. The plastic clamp ring has a ridge on it. Place the ring on top of the tank with the ridge facing down so that it lines up on the groove of the fitting inside the tank.
- Screw the plastic nut onto the fitting and tighten it with the spanner wrench supplied with the tank.
- Check the fittings a few days after installation to be sure they are snug, and occasionally thereafter.



INSTALLATION TIPS

Tanks should be positioned in a shaped bed or berth free of protrusions. Fittings which need to be installed can be positioned and mounted in just minutes using scissors and a NAUTA wrench (FTP010). ALWAYS mount fittings on the top of tanks to prevent wear on the tanks.

Figure hose lengths with tank empty, and allow sufficient slack. Use grommets for positioning only, not for supporting a loaded tank. When securing, it is important to remember that tanks expand when loaded. A loose fit in the deflated state or elastic tie-downs will work best.

Each NAUTA tank is supplied with a sheet providing easy-to-follow installation and maintenance instructions.

ADDITIONAL FITTINGS

A comprehensive range of nylon fittings are available to be used only on NAUTA® tanks. Each type of fitting is composed of 3 parts to ensure a tight seal. Generally, vent fittings are required on holding or gas tanks (not required on water) and should be positioned at the higher end of the tank, while draw fittings are best located at the lower end. Under no condition should fittings be installed on the bottom side of the tank. All fittings should be installed in the top half of the tank, not closer than 4" to the edge and not through a seam.

MAINTENANCE

Flexible tanks are easier to maintain than rigid tanks because they can be removed for cleaning, inspection or repair without structural work. They will not corrode and are impervious to saltwater and other liquids they might encounter belowdecks.

Periodic maintenance recommendations for Water Tanks offer common-sense steps that should be followed to prevent the build-up of micro-organisms which degrade the taste and can affect potability.

Before using your water tank for the first time, partly fill the tank with warm water (122°F/50°C) and a 1% solution of mild detergent. After a few minutes, rinse with clear water and fill again with water treated with chlorine tablets (follow package instructions for a 5% concentration). Empty after 2 hours and carefully and thoroughly rinse with clear water. This procedure should be performed with the system fully installed so that all the piping undergoes the same treatment.

When the water tank will not be used for a long period keep it partly filled with water and a 10% chlorine solution. Because it is not possible to completely evacuate the tank, this procedure best prevents the development of micro-organisms which could coat the inside and contribute to a bad taste in water. Before returning the tank to service, follow the same procedure as used with a new tank. Even if using your tank constantly, this cleaning operation is recommended at 6 months interval. Do not forget that the pipes also contribute to the water's taste and should be involved in the regular cleaning process.