

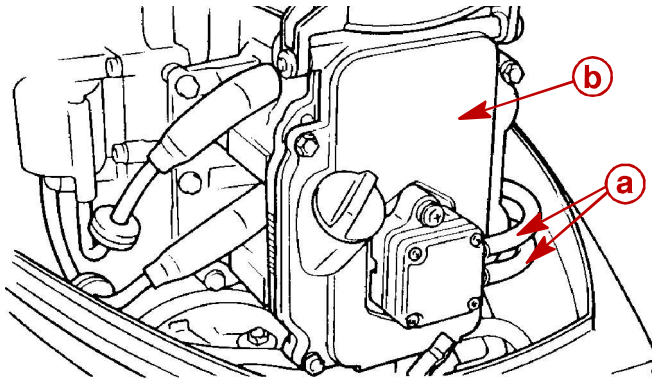


Adjustments

Valve Clearance

IMPORTANT: The timing belt must be installed and gears in the correct position or valve damage may occur.

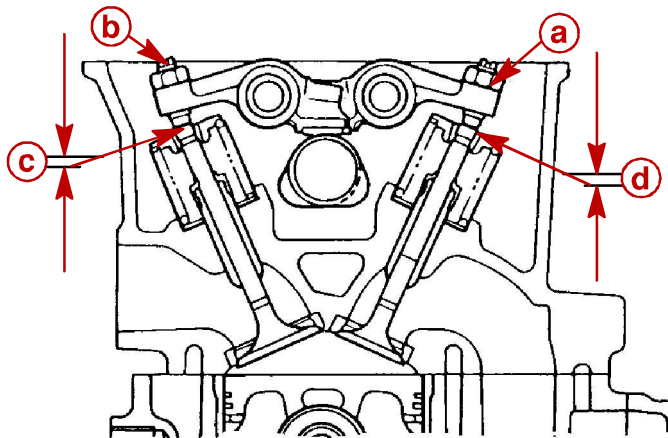
- Remove components:
 - Flywheel cover/manual starter depending on electric/manual start version.
 - Driven gear cover.
 - Disconnect inlet and outlet fuel pump hoses.
 - Cylinder head cover.



- a**-Fuel Hoses
b-Cylinder Head Cover

- Measure valve clearance with a feeler gauge. Adjust if out of specification.

Valve Clearance (Cold)	
Intake	0.006 - 0.010 in. (0.15 - 0.25 mm)
Exhaust	0.008 - 0.012 in. (0.20 - 0.30 mm)



- a**-Lock nut
b-Adjusting Screw
c-Intake Valve Clearance
d-Exhaust Valve Clearance