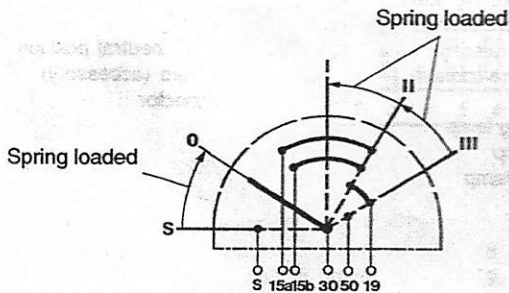
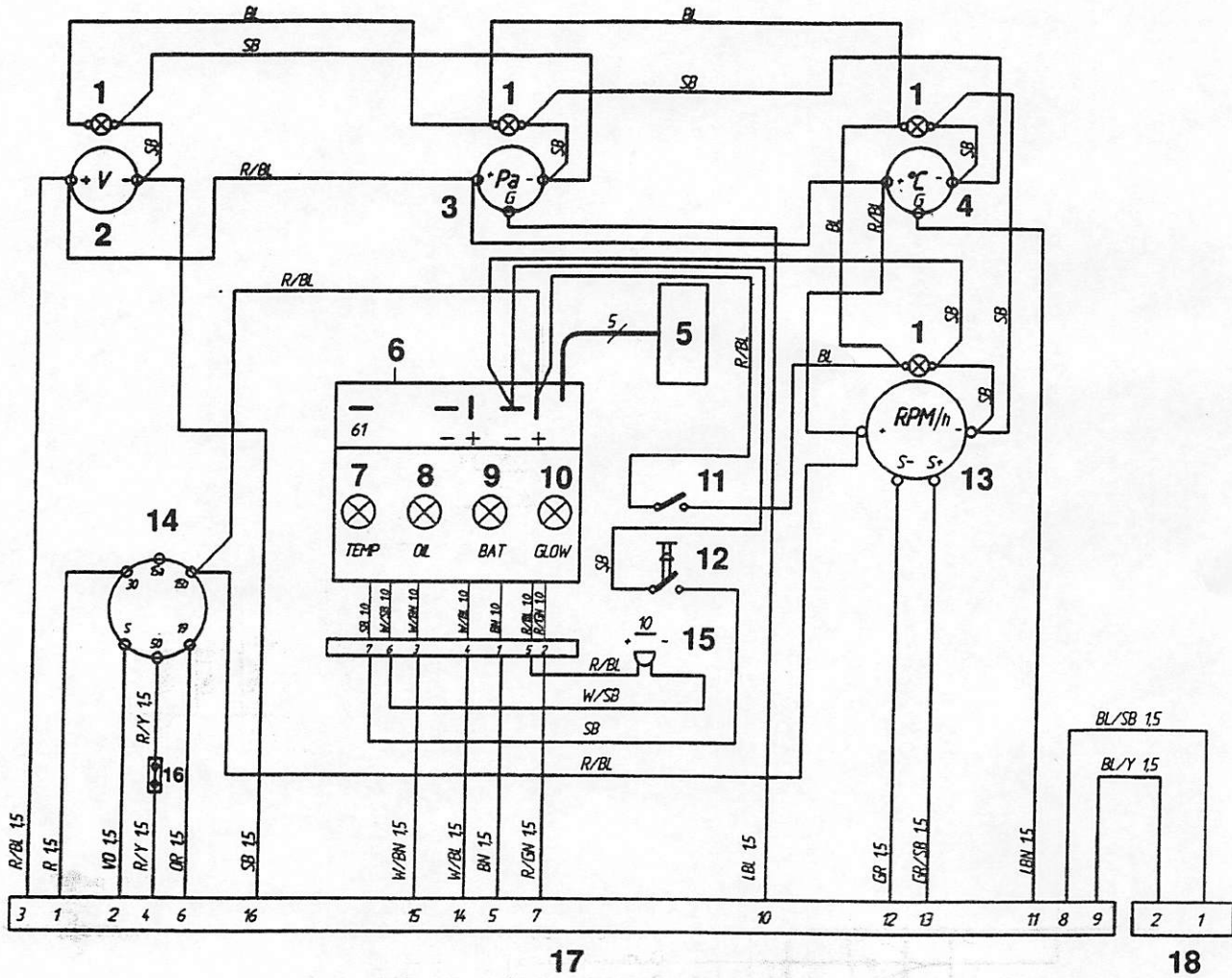


## Wiring Diagrams Instrument panel with ignition switch (Alt. 2)



### Cable color

BL = Blue	OR = Orange
LBL = Light-blue	R = Red
BN = Brown	SB = Black
LBN = Light-brown	VO = Violet
GN = Green	W = White
GR = Gray	Y = Yellow

Cable areas in mm<sup>2</sup> are indicated after the color codes in the wiring diagrams.

1. Instrument lighting
2. Voltmeter
3. Oil pressure gauge
4. Engine coolant temperature gauge
5. Connector for extra warning display (accessory)
6. Electronics module (alarm)
7. Engine coolant temperature warning lamp
8. Oil pressure warning lamp
9. Charge warning lamp
10. Glow plug indicator lamp
11. Switch, instrument panel lighting
12. Alarm test/acknowledgment switch
13. Tachometer with built-in hours run meter (accessory). Dummy plug
14. Ignition switch
15. Alarm
16. Connector for connecting neutral position switch, if fitted (accessory)
17. 16-pin connector
18. 2-pin connector (for additional control panel)