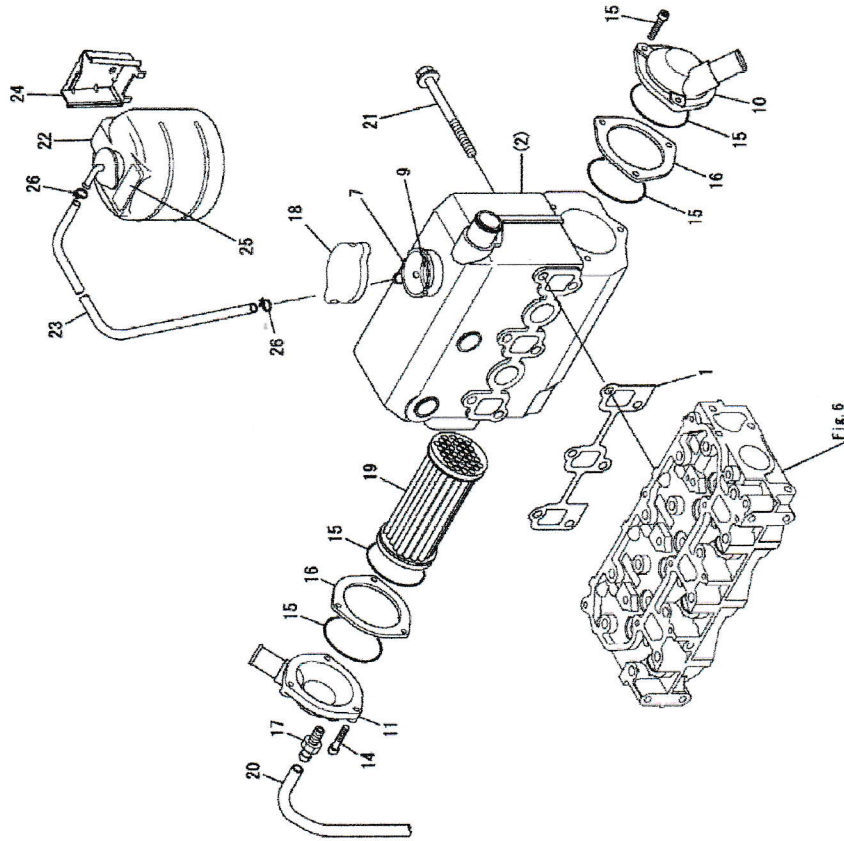


ig.15. COOLING FRESH WATER COOLER

2 ins. (2) ~19



OCR10-G56001 15. COOLING FRESH WATER COOLER

(A)=3YM30  
(B)=  
(C)=  
(D)=  
(E)=  
(F)=

REF.	LEV.	PARTS NO.	DESCRIPTION	(A)	(B)	(C)	(D)	(E)	(F)	Q'TY	I	R
1	1	119717-13110	GASKET	1								
2	1	128990-44900	COOLER ASSY	1								
2-1	1	128990-44901	COOLER ASSY	1								N
(A=EXXXXX)												
7	3	129673-44110	FILLER	1								
9	3	129673-44150	TUBE	1								
10	2	128990-44070	BONNET	1								
10-1	2	128990-44071	BONNET	1								S 1
(A=EXXXXX)												
11	2	128990-44080	BONNET ASSY	1								
11-1	2	128990-44081	BONNET ASSY	1								S 1
(A=EXXXXX)												
14	2	128990-44090	SCREW	6								
15	2	128990-44100	O-RING	4								
16	2	128990-44110	SPACER	2								
17	2	128990-44120	PLUG	1								
18	2	128990-44130	CAP	1								
18-1	2	129673-44131	CAP	1								N
(A=EXXXXX)												
19	2	128990-44400	ELEMENT	1								S 1
19-1	2	128990-44401	ELEMENT	1								
(A=EXXXXX)												
20	1	23061-070300	HOSE	1								
21	1	26106-081152	BOLT	6								
22	1	128397-44500	TANK ASSY	1								
23	1	129270-44500	PIPE	1								
23-1	1	129270-44501	PIPE,OVER FLOW	1								N
(A=EXXXXX)												
24	1	128397-44510	BRACKET	1								
25	1	129670-44570	LABEL, SUB-TANK	1								
26	1	23010-013000	CLAMP 13	2								

Remarks

(1) Interchangeable by simultaneous replacement with No.10-1,11-1,19-1