

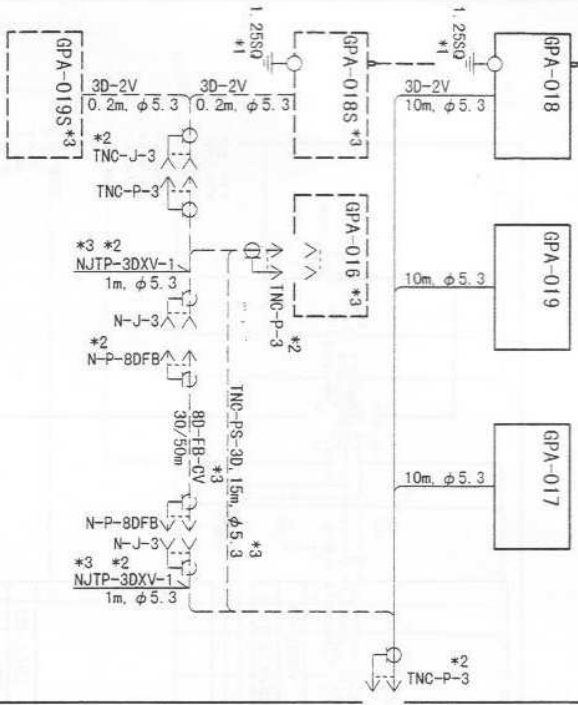
1.2m whip antenna  
(OPTION FOR EXPORT)  
FAM-1.2

空中線部  
ANTENNA UNIT  
SELECT ONE TYPE

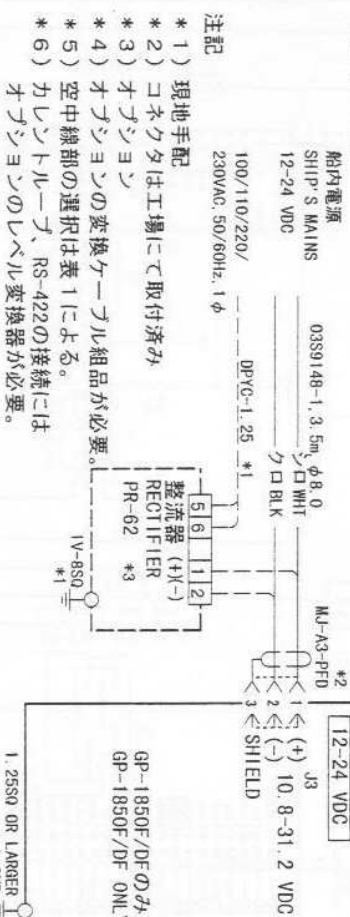
GP-1850/D/F/DF  
DISPLAY UNIT  
指示器

NMEA0183 Ver 2.0/1.5

A



B

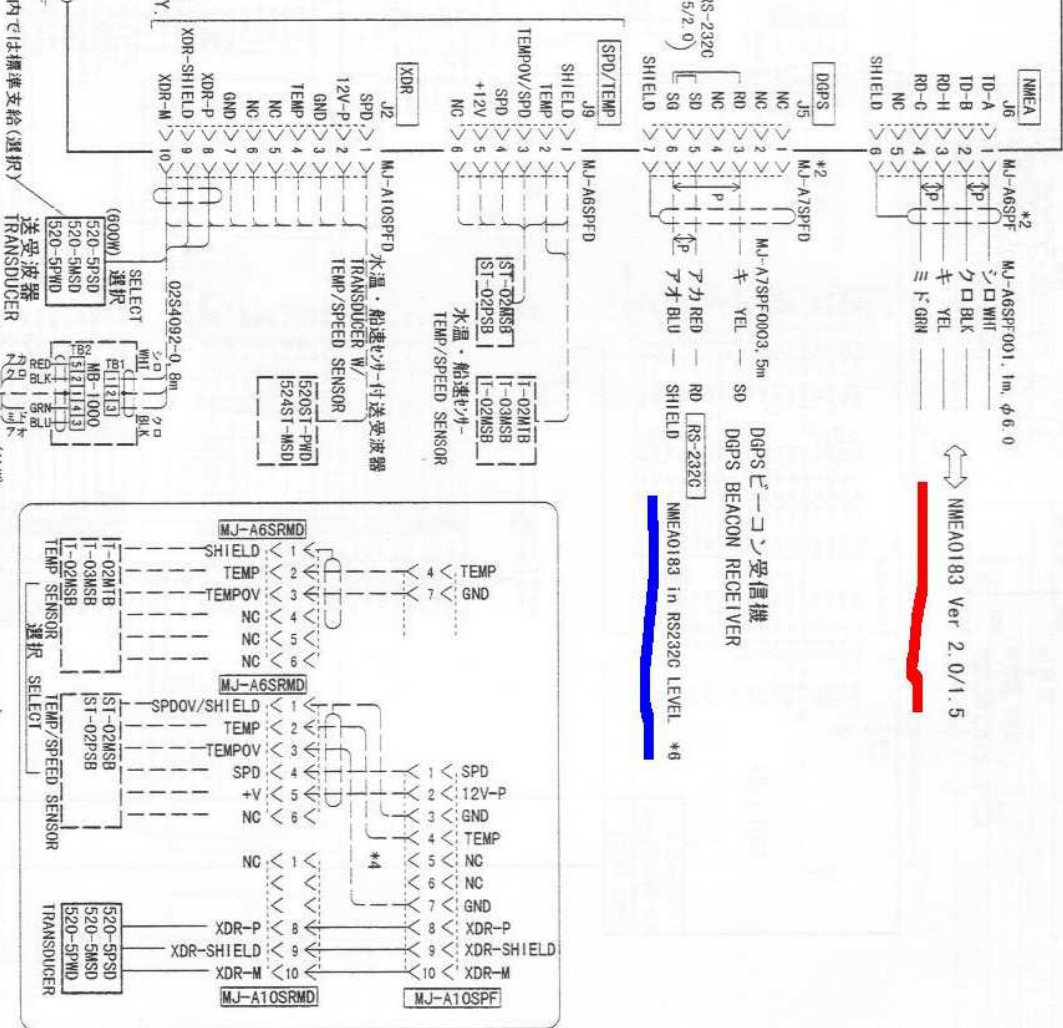


NOTE

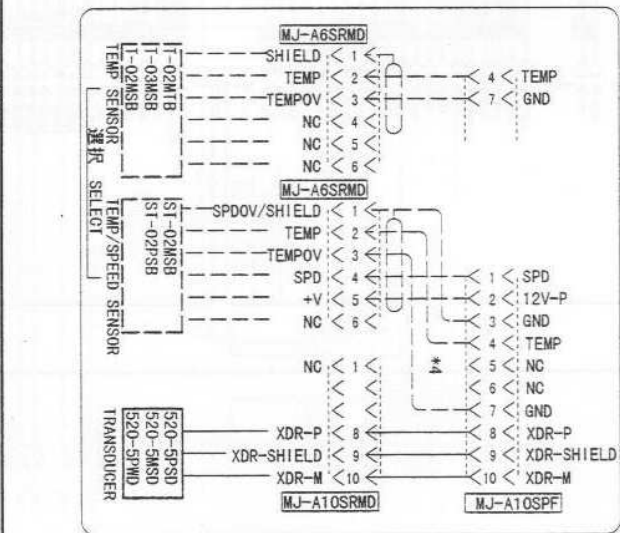
- \*1. LOCAL SUPPLY.
- \*2. FITTED AT FACTORY.
- \*3. OPTION
- \*4. THREE-WAY CONVERSION CABLE NEEDED (OPTION).
- \*5. REFER TO TABLE 1 FOR ANTENNA UNIT SELECTION.
- \*6. OPTIONAL LEVEL CONVERTER REQUIRED FOR CURRENT LOOP OR RS422 OUTPUT.

表 1 TABLE 1

型式 TYPE	空中線部 ANTENNA UNIT
GP-1850/F	GPA-017
GP-1850/D/F	GPA-018
	GPA-019
	GPA-017/018S



国内では標準支給(選択) 送受波器 TRANSUDUCER



DRAWN Date CHECKED Date APPROVED Date SCALE	GP-1850/D/F/DF 相互結線図 GPS PLOTTER, GPS PLOTTER/SOUNDER	TITLE GP-1850/D/F/DF 名称 GPS PLOTTER/GPS PLOTTER 魚探 相互結線図
DMG No. C4395-001-H	kg	NAME