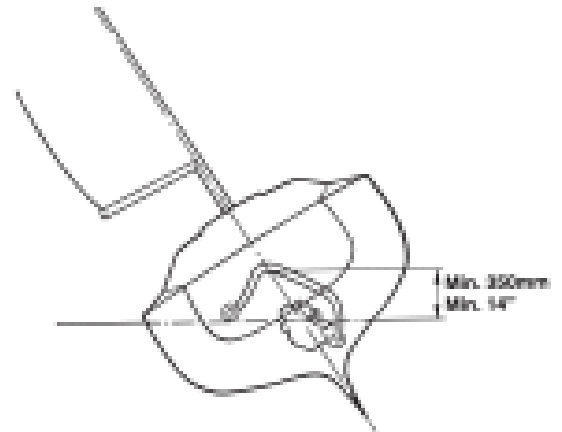
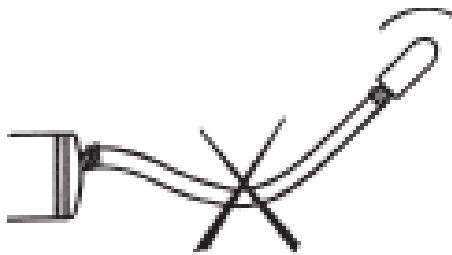
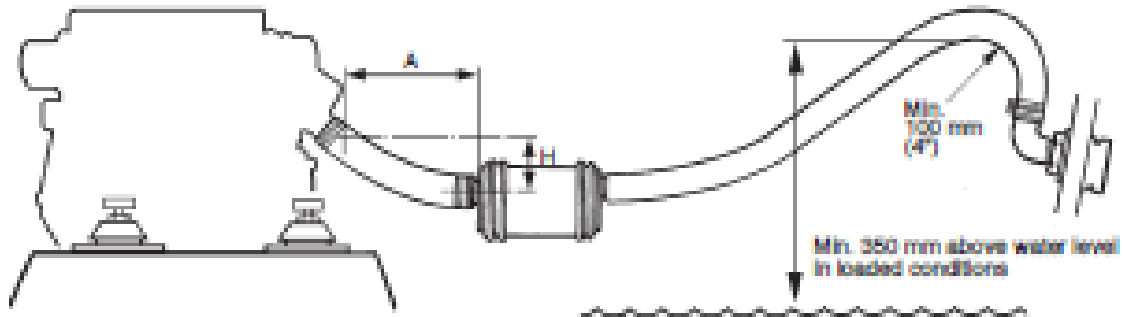


## Exhaust system

### Routing of exhaust hose between silencer and exhaust bend



**⚠ IMPORTANT!** Residual water must flow to silencer or overboard when the engine is shut off.

### Highest position of silencer in relation to exhaust hose length, all engines mm (inch)

A	H
300 (11.8)	110 (4.3)
400 (15.7)	120 (4.7)
600 (23.6)	150 (5.0)
1300 (51.2)*	180 (7.1)

\* Support needed to avoid water to stay in hose before silencer.

**⚠ IMPORTANT!** If measurement H cannot be met, an exhaust riser has to be installed.