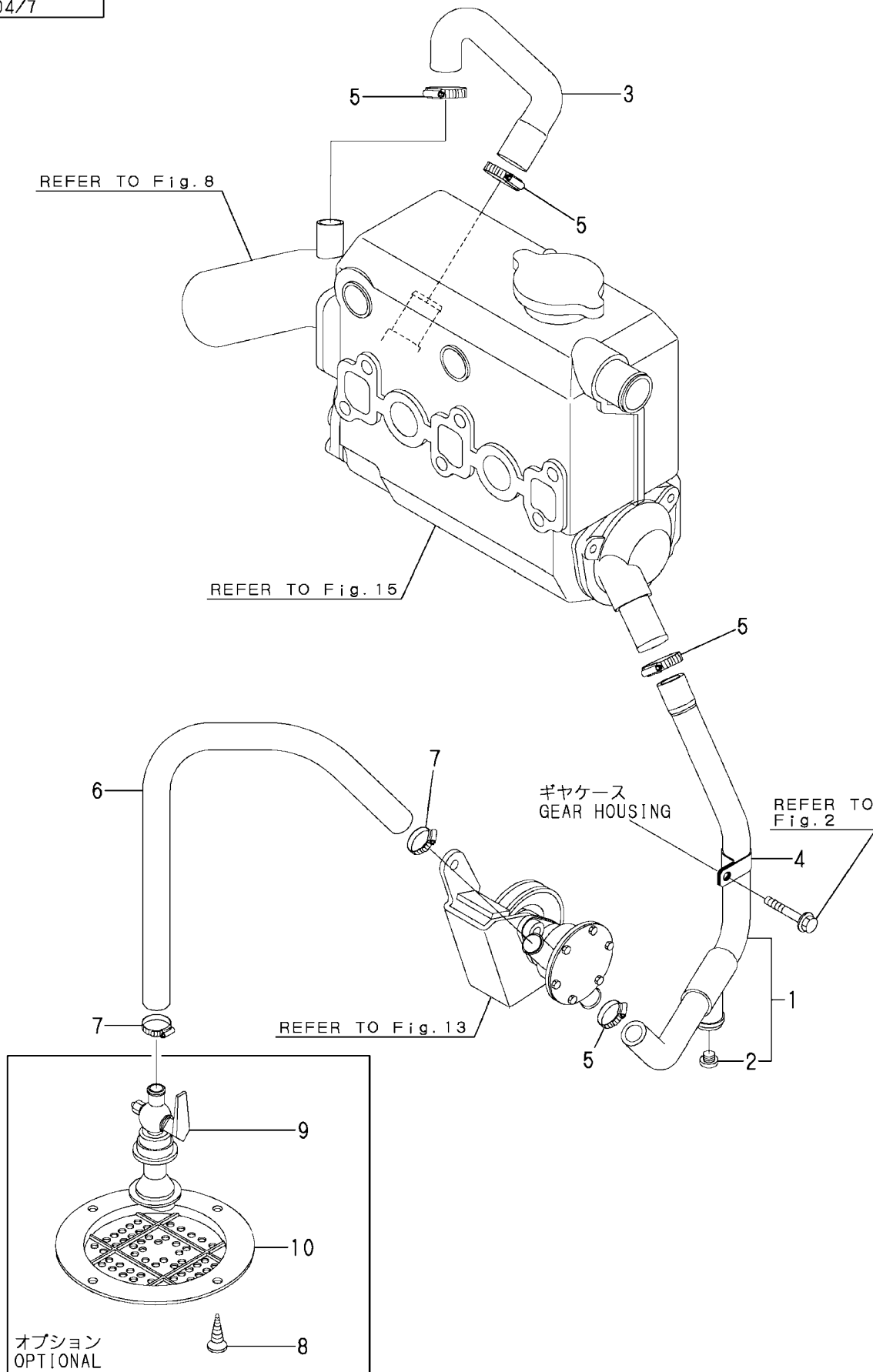


Fig.16. COOLING SEA WATER PIPE

P/C NEWS No.:Y00R5600-2
PUBLISHED:2004/7

(A)=3YM30
(B)=
(C)=

(D)=
(E)=
(F)=



REF.	LEV.	PARTS NO.	DESCRIPTION	Q'TY						I	R
				(A)	(B)	(C)	(D)	(E)	(F)		
1	1	128990-49010	PIPE, WATER A	1							
I 2	2	128990-49110	PLUG ASSY, DRAIN	1							
3	1	128990-49020	PIPE, WATER B	1							
4	1	121575-49310	CLAMP	1							
5	1	23000-028000	CLAMP 28	4							
6	1	124223-49050	PIPE, COOLING WATER	1							
7	1	23000-025000	CLAMP 25	2							
8	1	22724-800380	SCREW, M8X38	4							
9	1	43662-015020	COCK ASSY, SEA WATER	1							
10	1	43666-020951	COVER, STRAINER	1							