

9.9D(6E7) 15D (6E8)

CONTENTS

Fig. 1	CRANKCASE & CYLINDER	A3
Fig. 2	CRANK & PISTON	A4
Fig. 3	INTAKE	A5
Fig. 4	STARTER	A6
Fig. 5	FUEL	A7
Fig. 6	TOP COWLING	B1
Fig. 7	BOTTOM COWLING	B2
Fig. 8	BRACKET	B3
Fig. 9	CONTROL	B4
Fig. 10	UPPER CASING	B5
Fig. 11	LOWER & DRIVE 1	B6
Fig. 12	LOWER & DRIVE 2	B7
Fig. 13	C.D.I. MAGNETO	C1
Fig. 14	ELECTRIC PARTS	C2
Fig. 15	ELECTRIC MOTOR (9.9DPE/15DPE MODEL)	C3
Fig. 16	C.D.I. MAGNETO (9.9DPE/15DPE MODEL)	C4
Fig. 17	ELECTRIC PARTS (9.9DPE/15DPE MODEL)	C5
Fig. 18	REMOTE CONTROL	C6
Fig. 19	REMOTE CONTROL ASS'Y	C7
Fig. 20	OPTIONAL PARTS 1	D1
Fig. 21	OPTIONAL PARTS 2	D2
Fig. 22	REPAIR KIT	D3
	NUMERICAL INDEX	

FOREWORD

This Parts Catalogue is related to the parts in use for the Yamaha outboard motor 9.9D '85 (6E7), 15D '85 (6E8). When you are ordering replacement parts for the 9.9D '85 (6E7), 15D '85 (6E8), refer to this Parts Catalogue and quote both part numbers and part names correctly.

1. Modifications or additions which have been made after issue of the Parts Catalogue will be announced in the Yamaha Parts News.
It is advisable that according to the Yamaha Parts News you make necessary corrections to the Parts Catalogue on hand to keep it up-to-date.

2. Abbreviations

The following abbreviations are used in this Parts Catalogue.

- U.R. Use size (thickness) and/or number as required.
- U.N. Use as many as you need.
- A.P. Alternate Parts
- S.T.D. Standard
- O.S. Over Size

3. Parts, which are to be supplied in the form of assemblies, are listed with an indention of one letter's space, and a dot (.) is put against the name of each part.

EXAMPLE

CARBURETOR ASS'Y
 . JET, pilot
 . NOZZLE, main

4. Indication of No. of constituent parts for assembly.

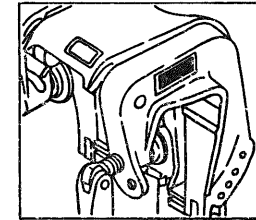
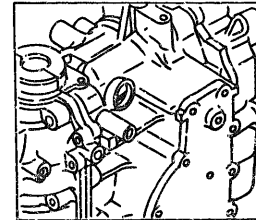
The numeral appearing to the right of each constituent part under the description indicates the quantity of such parts for each individual assembly unit.

EXAMPLE

Part No.	Description	Q'ty	Remarks
6E0-85500-70	C.D.I. MAGNETO ASS'Y	1	
6E0-85550-70	. ROTOR ASS'Y	1	
6E0-15723-00-94	.. PULLEY, starter	1	

5. Initial Serial No. and Color Code

Ⓐ Engine Serial No.	
9.9D	S:052359 and following L:353778 and following SUL:801916 and following
9.9DPE	S:270931 and following L:571195 and following SUL:886101 and following
15D	S:034572 and following L:323545 and following SUL:801196 and following
15DPE	S:270791 and following L:571197 and following SUL:886101 and following



Color Code	Color Name	Abbreviate
EJ	METALIC MARINE BLUE	MMB
36	CLEAN WHITE	W

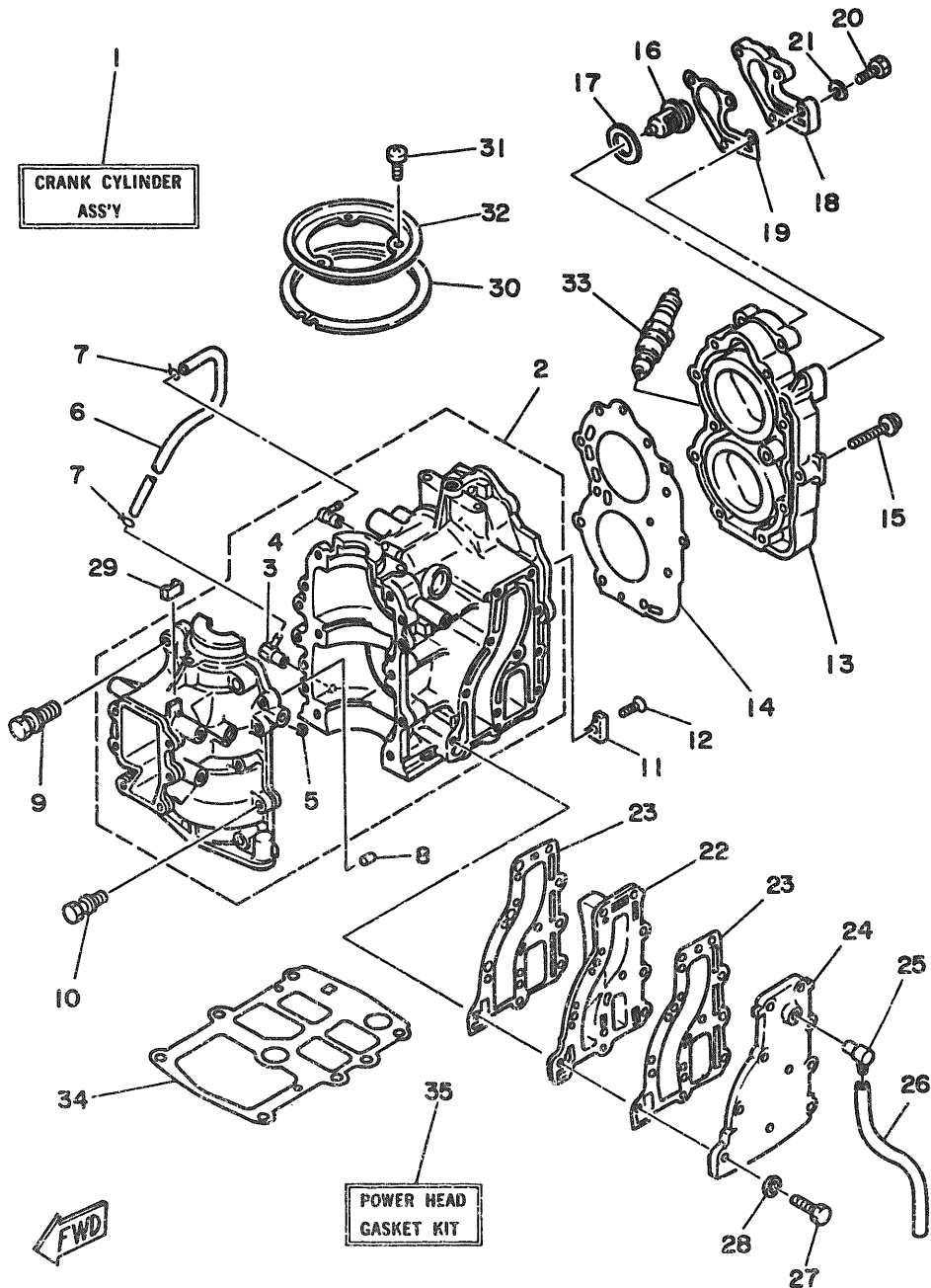


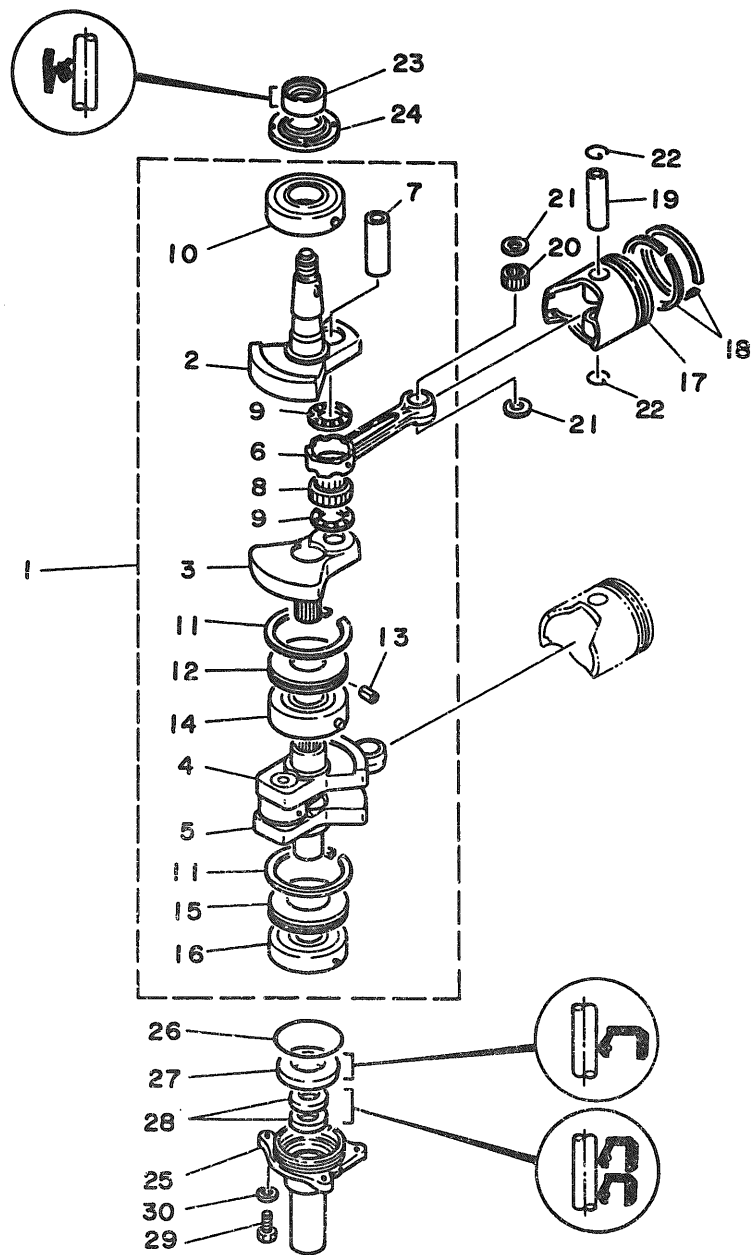
Fig. 1 CRANKCASE & CYLINDER

Ref.No.	Parts No.	Description	Q'ty	Ref.No.	Parts No.	Description	Q'ty
1	6E7-W00P0-00-EJ	CRANK CYLINDER ASS'Y (Ref. No. 2 to 33 and Fig. 2, Ref. No. 1 to 30)	1 U.R.	18	682-12413-00-94	COVER, thermostat	1
				19	682-12414-00	GASKET, cover	1
*	6E7-W0090-20-EJ	CRANK CYLINDER ASS'Y (Ref. No. 2 to 33 and Fig. 2, Ref. No. 1 to 30)	1 U.R.	20	97313-06020	BOLT	4
				21	92903-06600	WASHER	4
				22	682-41111-00-9M	INNER COVER, exhaust	1
2	6E7-15100-00-94	CRANKCASE ASS'Y	1	23	682-41112-00	GASKET, exhaust inner cover	2
3	650-11370-00	CHECK VALVE ASS'Y	1	24	682-41113-00-9M	OUTER COVER, exhaust	1
4	650-14485-02	PIPE, joint	1	25	676-11372-00	NIPPLE, hose 1	1
				26	90445-09095	HOSE	1
5	624-11379-00	VALVE, check	1	27	97395-06025	BOLT	10
6	90445-07M08	HOSE	1	28	92990-06600	WASHER	10
7	90467-06016	CLIP	2	29	682-41615-00	STOPPER, magneto base	1
8	93606-12019	PIN, dowel B	2	30	682-41612-01	RETAINER, magneto base 2	1
9	90119-08M17	BOLT	6	31	97803-06010	SCREW, panhead	3
10	90119-06M13	BOLT	4	32	682-41611-00	RETAINER, magneto base 1	1
11	682-11325-00	ANODE	1				
12	98780-05016	SCREW, flathead	1	33	94701-00217	PLUG, spark (B7HS 10) NGK	2 U.R.
13	6E7-11111-00-94	HEAD, cylinder	1	*	94702-00271	PLUG, spark (BR7HS 10) NGK	2 U.R.
14	682-11181-01	GASKET, cylinder head	1	34	682-11351-02	GASKET, cylinder	1
				■ 35	682-W0001-02	POWER HEAD GASKET KIT	1
15	90105-07M05	BOLT	11				
16	6F5-12411-01	THERMOSTAT	1				
17	90201-21567	WASHER	1				

* Not shown

■ See Fig. 22 for detail service parts.

Fig. 2 CRANK & PISTON



Ref.No.	Parts No.	Description	Q'ty	Ref.No.	Parts No.	Description	Q'ty
1	682-11400-00	CRANK ASS'Y	1	17	6E7-11631-00-97	PISTON (S.T.D.)	2
2	682-11412-00	. CRANK 1	1	* 6E7-11635-00	PISTON (1st O.S.)	2 A.P.	
3	682-11422-00	. CRANK 2	1	* 6E7-11636-00	PISTON (2nd O.S.)	2 A.P.	
4	682-11432-00	. CRANK 3	1	18	682-11610-00	PISTON RING SET (S.T.D.)	2
5	682-11442-00	. CRANK 4	1	* 682-11610-10	PISTON RING SET (1st O.S.)	2 A.P.	
6	650-11651-03	. ROD, connecting	2	* 682-11610-20	PISTON RING SET (2nd O.S.)	2 A.P.	
7	682-11681-00	. PIN, crank	2	19	634-11633-00	PIN, piston	2
8	93310-620V5	. BEARING, big end	2	20	93602-14104	BEARING, small end	50
9	90209-20159	. WASHER	4	21	90201-14377	WASHER	4
10	93306-20514	. BEARING (B6205)	1	22	93450-15023	CLIP, piston pin	4
11	93440-57M01	. CIRCLIP	2	23	93110-23M00	OIL SEAL	1
12	682-11515-01	. SEAL, labyrinth 1	1	24	682-11445-00	SPACER	1
13	91609-20008	. PIN, spring	1	25	682-15359-00-9M	HOUSING, oil sea!	1
14	93304-205U0	. BEARING (B4205)	1	26	93210-53M08	O-RING	1
15	682-11525-00	. SEAL, labyrinth 2	1	27	93101-20M10	OIL SEAL	1
16	93306-304U0	. BEARING (B6304)	1	28	93101-13M11	OIL SEAL	2
				29	97395-06016	BOLT	3
				30	92990-06600	WASHER	3

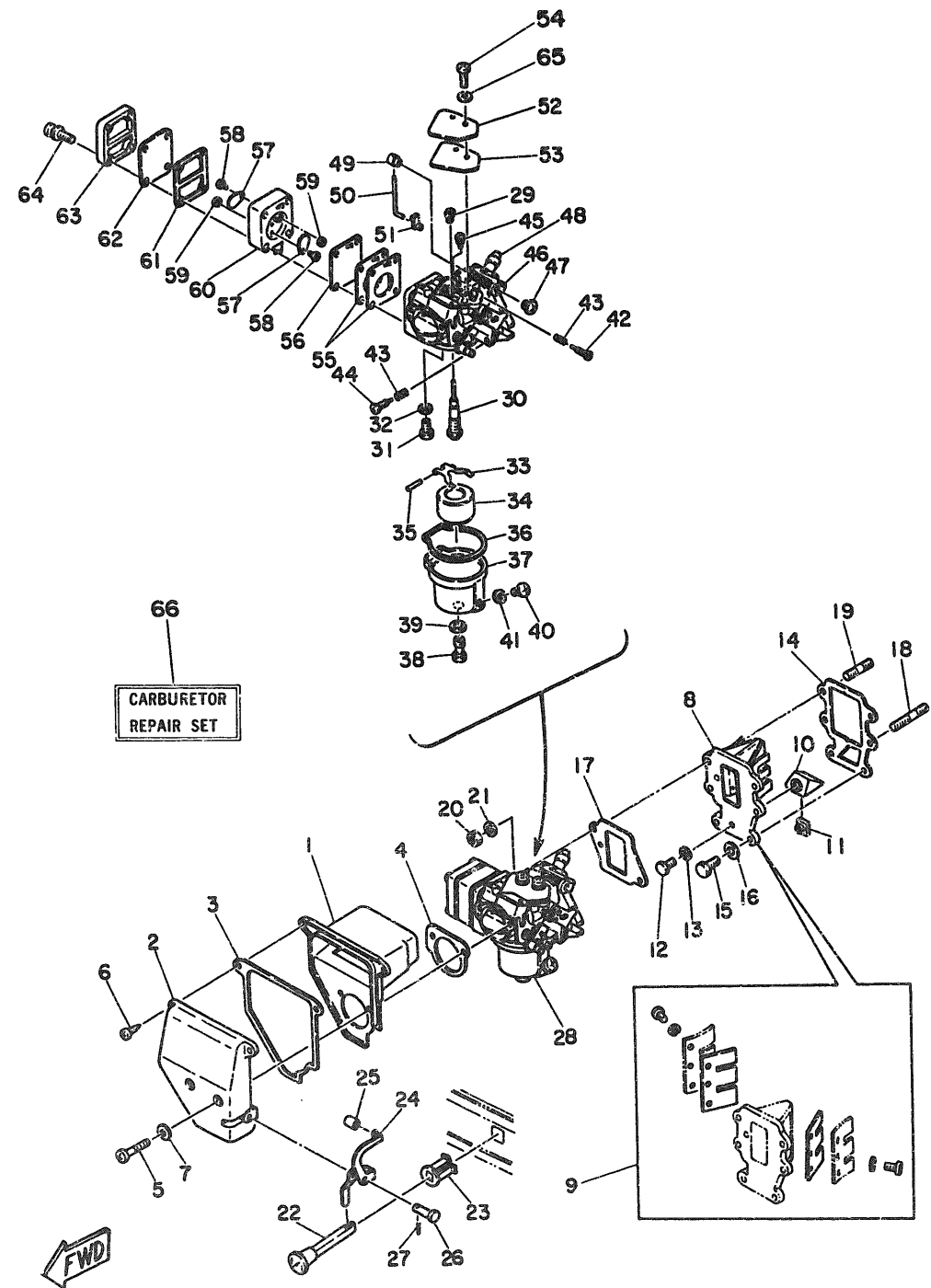
* Not shown

Fig. 3 INTAKE

Ref.No.	Parts No.	Description	Q'ty	Ref.No.	Parts No.	Description	Q'ty
1	682-14417-02	COVER 1	1	33	626-14387-00	. ARM, float	1
2	682-14418-01	COVER 2	1	34	647-14385-00	. FLOAT	1
3	682-14416-00	GASKET	1	35	626-14386-00	. PIN, float	1
4	682-14483-00	GASKET	1	36	677-14384-00	. GASKET, float chamber	1
5	97890-05030	SCREW, panhead	2	37	677-14381-00	. BODY, float chamber	1
6	97780-50514	SCREW, panhead tapping	1	38	677-14343-52	. JET, main (#104)(9.9D Model)	1 U.R.
7	92903-05600	WASHER	2	* 677-14343-68	. JET, main (#135) (15D Model)	1 U.R.	
8	6E7-13610-00	REED VALVE ASS'Y (9.9D Model)	1 U.R.	39	1J2-14398-00	. GASKET	1
* 6E8-13610-00	REED VALVE ASS'Y (15D Model)	1 U.R.	40	97803-04005	. SCREW, panhead	1	
9	682-W0004-00	. REED SET	1	41	655-14398-00	. GASKET	1
10	6E7-13625-00	SPACER, reed valve	1	42	648-14323-00	. SCREW, air adjusting	1
11	6E7-13588-00	NUT	1	43	646-14212-01	. SPRING, pilot adjusting	2
12	97313-06017	BOLT	1	44	664-14321-00	. SCREW, throttle	1
13	92903-06600	WASHER	1	45	647-14326-00	. SCREW, guide	1
14	682-13621-00	PACKING, valve seat	1	46	682-41210-00	. ACCEL. ARM ASS'Y	1
15	97313-06016	BOLT	4	47	677-14327-00	. SCREW	1
16	92903-06600	WASHER	4	48	682-41291-00	. BUSHING 1	1
17	677-14198-00	GASKET	1	49	677-41226-00	. END, throttle lever	1
18	90116-06M04	STUD	1	50	682-41219-00	. ROD	1
19	90116-06130	STUD	1	51	661-41262-02	. JOINT, choke lever	1
20	95303-06700	NUT	2	52	6E7-14157-00	. PLATE	1
21	92903-06600	WASHER	2	53	6E7-14227-00	. PACKING	1
22	682-41271-00	KNOB, choke	1	54	98503-04008	. SCREW, panhead	2
23	682-41273-00	GROMMET 1	1	55	677-24434-01	. GASKET, pump 1	2
24	682-41252-01	LEVER, choke	1	56	677-24411-02	. DIAPHRAGM, pump	1
25	682-41267-00	BUSHING, joint	1	57	6A0-24421-00	. VALVE, check	2
26	682-41263-00	PIN, choke lever	1	58	90147-03M01	. SCREW, panhead	2
27	90468-10005	PIN, hair	1	59	98813-03100	. NUT	2
28	6E7-14301-01	CARBURETOR ASS'Y (9.9D Model)	1 U.R.	60	682-24412-01	. BODY, pump	1
* 6E8-14301-01	CARBURETOR ASS'Y (15D Model)	1 U.R.	61	677-24435-01	. GASKET, pump 2	1	
29	6E7-14342-29	. JET, pilot (#58)(9.9D Model)	1 U.R.	62	677-24471-01	. DIAPHRAGM	1
* 6E7-14342-28	. JET, pilot (#56) (15D Model)	1 U.R.	63	677-24413-01	. COVER	1	
30	6E7-14341-00	. NOZZLE, main (9.9D Model)	1 U.R.	64	677-24444-00	. SCREW	4
* 6E8-14341-00	. NOZZLE, main (15D Model)	1 U.R.	65	92903-04100	. WASHER	2	
31	677-14390-12	. VALVE SEAT ASS'Y	1	♣ 66	677-W0093-00	CARBURETOR REPAIR SET	1
32	367-14195-00	. WASHER, valve seat	1				

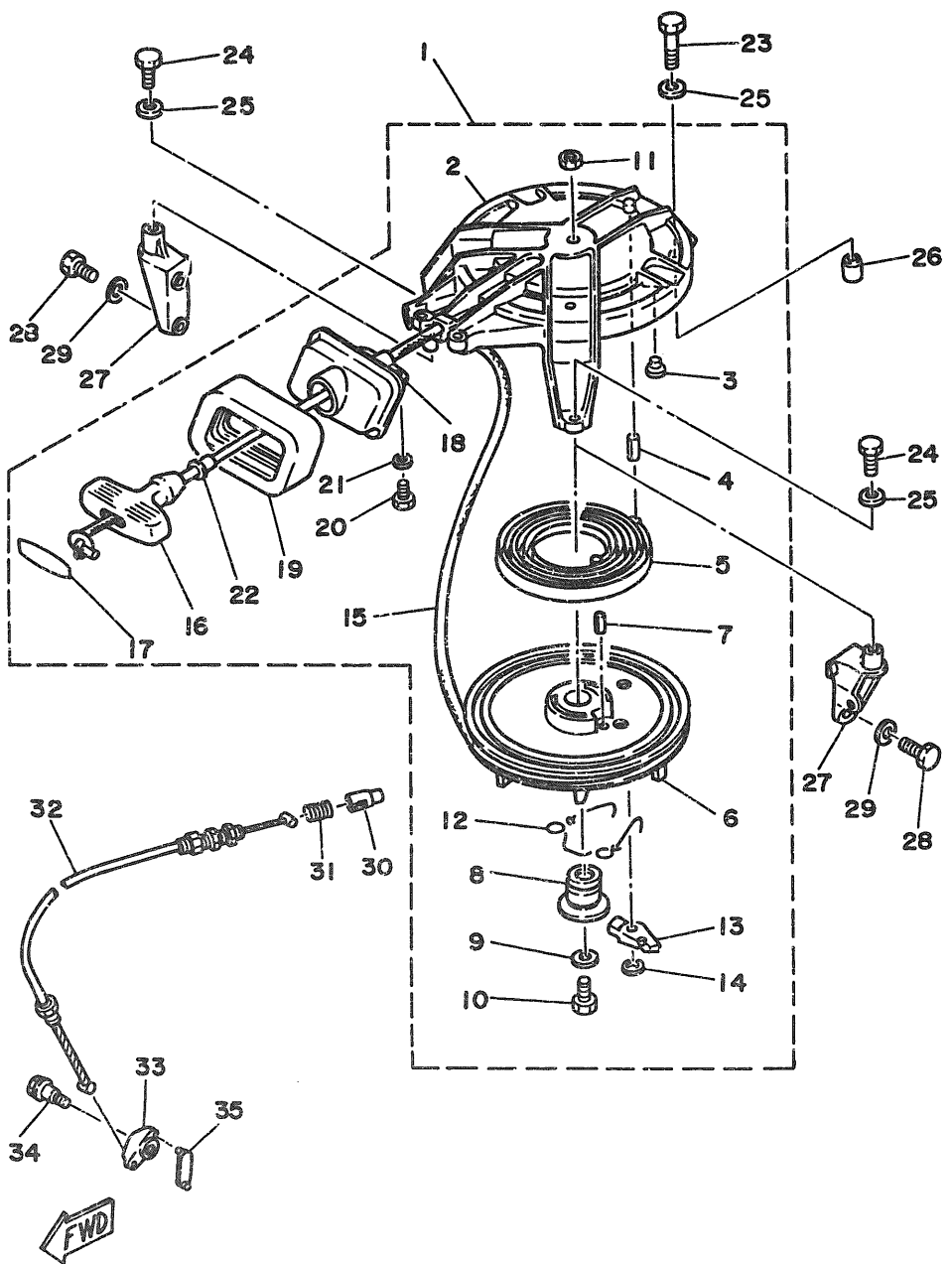
* Not shown

♣ See Fig. 22 for detail service parts.



A5

Fig. 4 STARTER



Ref.No.	Parts No.	Description	Q'ty	Ref.No.	Parts No.	Description	Q'ty
1	6E7-15710-01-94	STARTER ASS'Y	1	19	6E7-15761-00	. SEAL	1
2	682-15711-71-94	. CASE, starter	1	20	97313-06016	. BOLT	2
3	648-15773-00	. STAY 3	1	21	92903-06600	. WASHER	2
4	91690-40016	. PIN, spring	1	22	689-15789-00	. DAMPER	1
5	90510-08M04	. SPRING, spiral	1	23	97313-06035	BOLT	1
6	677-15714-00-94	. DRUM, sheave	1	24	97313-06020	BOLT	2
7	91690-40020	. PIN, spring	1	25	92903-06600	WASHER	3
8	677-15717-01	. SHAFT	1	26	91830-21014	PIN, dowel A	1
9	90201-06060	. WASHER	1	27	6E7-15771-00-94	STAY	2
10	97313-06020	. BOLT	1	28	97313-06020	BOLT	4
11	95303-06600	. NUT	1	29	92903-06600	WASHER	4
12	677-15705-02	. SPRING, drive pawl	1	30	656-15748-00	PLUNGER, starter stop	1
13	677-15741-01	. PAWL, drive	1	31	90501-10227	SPRING, compression	1
14	93430-06M02	. CIRCLIP	1	32	682-15770-00	WIRE COMP., starter stop	1
15	+	. WIRE (1650mm)	1	33	682-15746-00	ARM	1
16	619-15755-01	. HANDLE, starter	1	34	90109-06M04	BOLT	1
17	689-15779-01	. COVER	1	35	682-15747-00	LINK	1
18	6E7-15758-00-94	. GUIDE, wire	1				

+ Cut from 50m rolls, Parts No. 90890-44373, cutting length 1.65m.

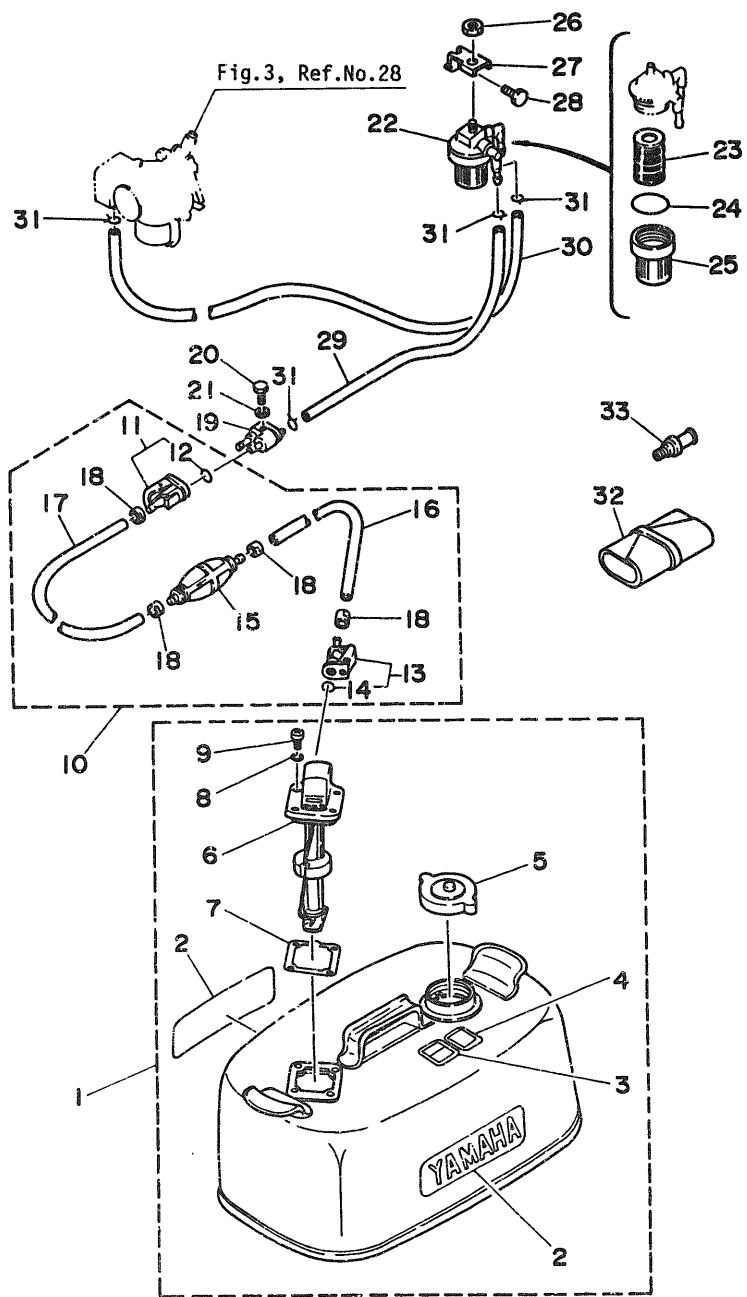


Fig. 5 FUEL

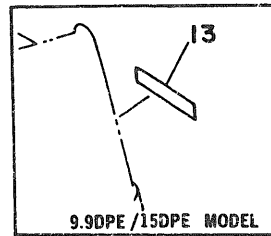
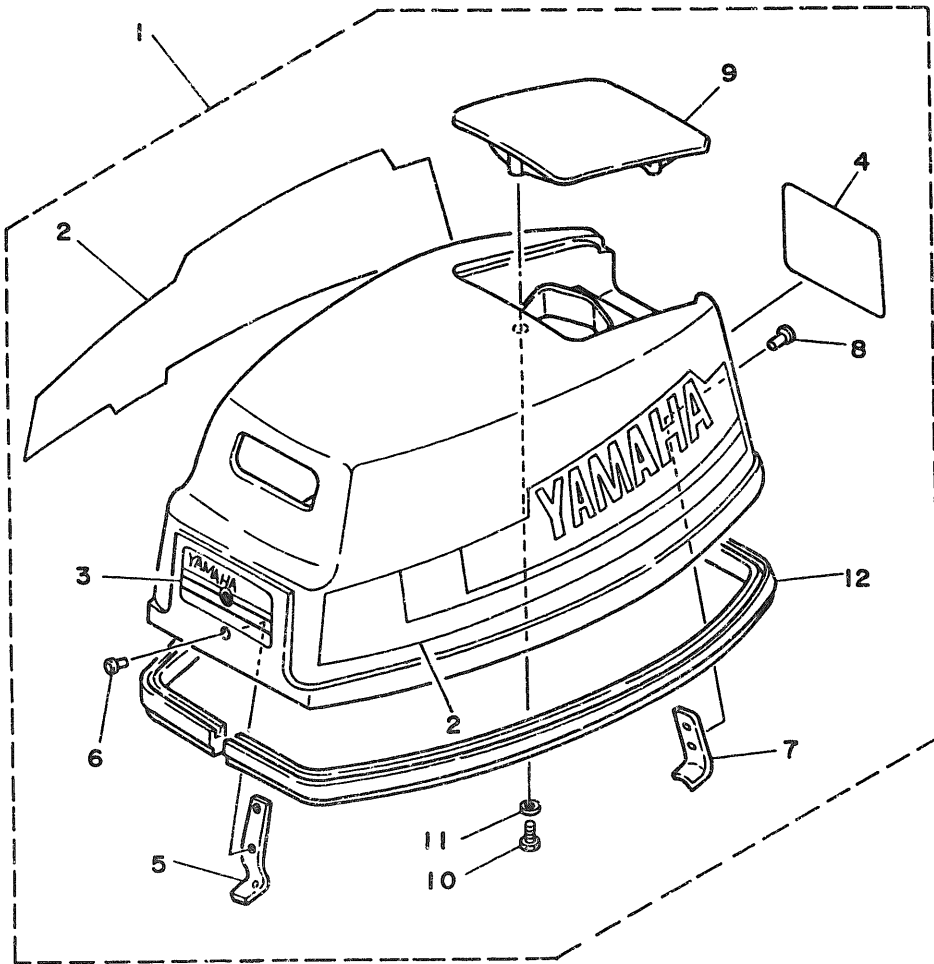
Ref.No.	Parts No.	Description	Q'ty	Ref.No.	Parts No.	Description	Q'ty
1	6Y1-24203-01-24	FUEL TANK ASS'Y	1	18	650-24351-00	. BAND, fuel pipe	4
2	6Y1-24246-00	. GRAPHIC, side	2	19	6G1-24304-00	FUEL PIPE JOINT COMP.	1
3	6Y1-24255-80	. GRAPHIC	1	20	97313-06020	BOLT	1
4	6Y1-24257-00	. GRAPHIC	1	21	92903-06600	WASHER	1
5	6Y1-24610-00	. CAP ASS'Y	1	22	655-24560-01	FILTER ASS'Y	1
6	6Y1-24260-00	. FUEL METER COMP.	1	23	6F5-24563-00	. ELEMENT, filter	1
7	6Y1-24268-00	. GASKET, fuel meter housing	1	24	93210-37M25	. O-RING	1
8	6Y1-24329-00	. SEAL	4	25	655-24521-01	. CUP, filter	1
9	98586-05C16	. SCREW	4	26	95303-08700	NUT	1
10	6Y1-24306-02	FUEL PIPE ASS'Y	1	27	682-24566-00	BRACKET, filter	1
11	655-24305-01	. FUEL PIPE JOINT COMP.	1	28	97313-06010	BOLT	1
12	93210-08287	. . O-RING	1	29	90445-09086	HOSE	1
13	6Y1-24305-00	. FUEL PIPE JOINT COMP.	1	30	90445-09097	HOSE	1
14	93210-08287	. . O-RING	1	31	90467-08004	CLIP	4
15	6Y1-24360-00	. PRIMARY PUMP ASS'Y	1	32	6E0-28100-00	TOOL ASS'Y	1
+16	90445-11M80	. HOSE (1900mm)	1	33	6E0-28193-00-94	PLUG, water check	1
+17	90445-11M78	. HOSE (1000mm)	1				

+ Also available in 30m rolls (Parts No. 90890-56878)

Fig. 6 TOP COWLING

Ref.No.	Parts No.	Description	Q'ty	Ref.No.	Parts No.	Description	Q'ty
1	6E7-42610-21-EJ	TOP COWLING ASS'Y (9.9D Model)	1 U.R.	7	6E7-42652-00	. HOOK 2	1
*	6E8-42610-21-EJ	TOP COWLING ASS'Y (15D Model)	1 U.R.	8	90266-04004	. RIVET	2
2	6E7-W0070-20	. GRAPHIC SIDE SET	1	9	6E7-42613-00-EJ	. MOLDING, air duct	1
3	6E7-42677-01	. GRAPHIC, front	1	10	97313-06016	. BOLT	3
4	6E7-42678-20	. GRAPHIC, rear (9.9D Model)	1 U.R.	11	92903-06600	. WASHER	3
*	6E8-42678-20	. GRAPHIC, rear (15D Model)	1 U.R.	12	682-42615-00	. SEAL	1
5	6E7-42651-00	. HOOK 1	1	13	661-42683-00	MARK, cowling 3 (9.9DPE/15DPE Model)	1
6	90266-04M00	. RIVET	2				

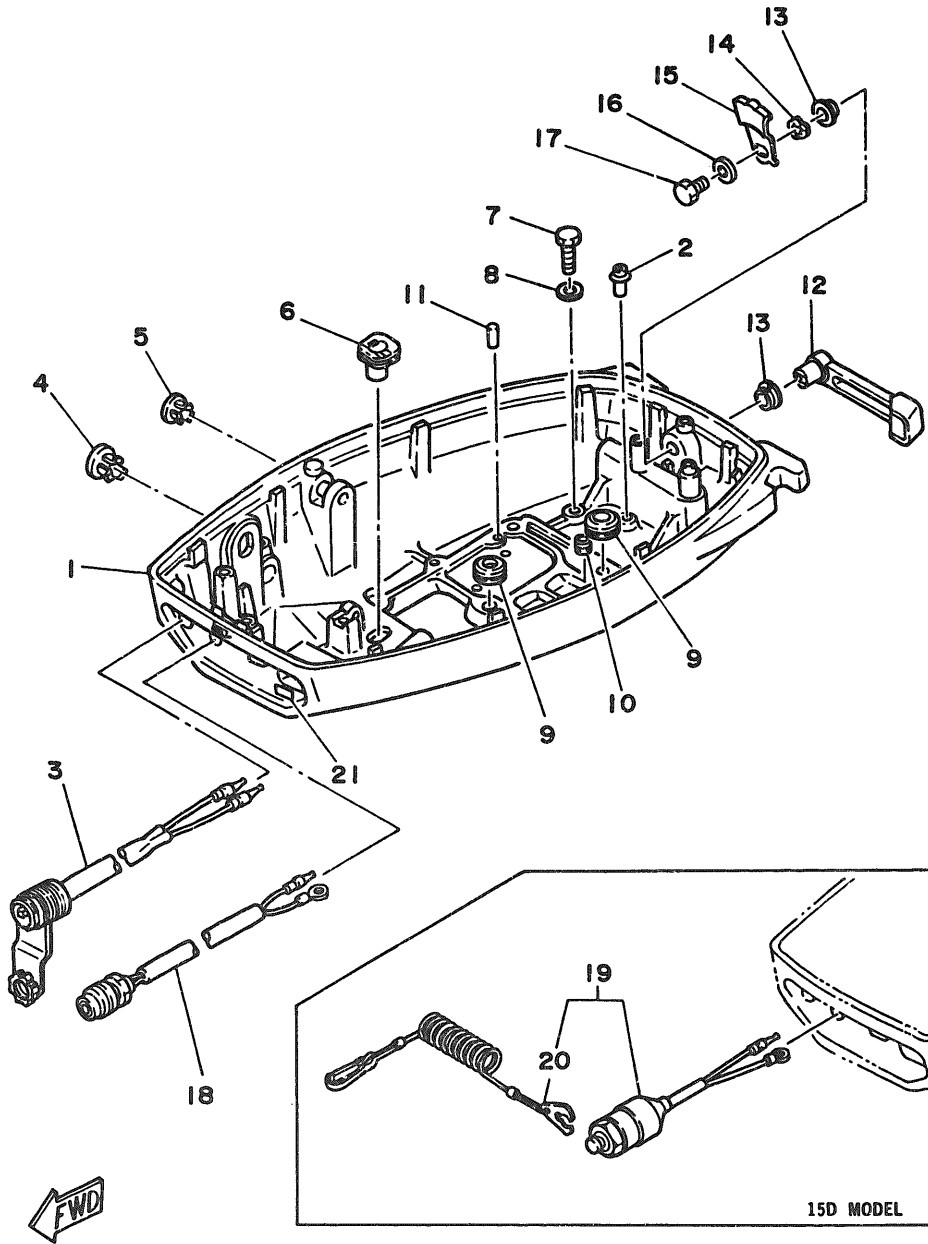
* Not shown



FWD

B1

Fig. 7 BOTTOM COWLING



Ref.No.	Parts No.	Description	Q'ty	Ref.No.	Parts No.	Description	Q'ty
1	682-42711-02-EJ	COWLING, bottom	1	12	682-42815-00-EJ	LEVER, clamp 1	1
2	650-24378-00	PIPE, joint	1	13	90386-12069	BUSHING	2
3	682-84381-00	2P CONCENT 1	1	14	90206-12052	WASHER, wave	1
4	682-42725-01	GROMMET 2	1	15	6E7-42816-00	LEVER, clamp 2	1
5	682-42726-00	GROMMET 3	1	16	90201-06068	WASHER	1
6	682-42727-00	GROMMET 4	1	17	97313-06010	BOLT	1
7	97313-06020	BOLT	2	18	6A0-82550-01	STOP SWITCH ASS'Y (9.9D Model)	1
8	92903-06600	WASHER	2	19	6E9-82575-00	KILL SWITCH ASS'Y (15D Model)	1
9	682-44367-00	DAMPER, water seal 3	2	20	682-82556-00	. STOPPER ASS'Y	1
10	682-44366-00	DAMPER, water seal 2	1	21	6A1-42792-01	MARK 3	1
11	93606-12019	PIN, dowel B	2				

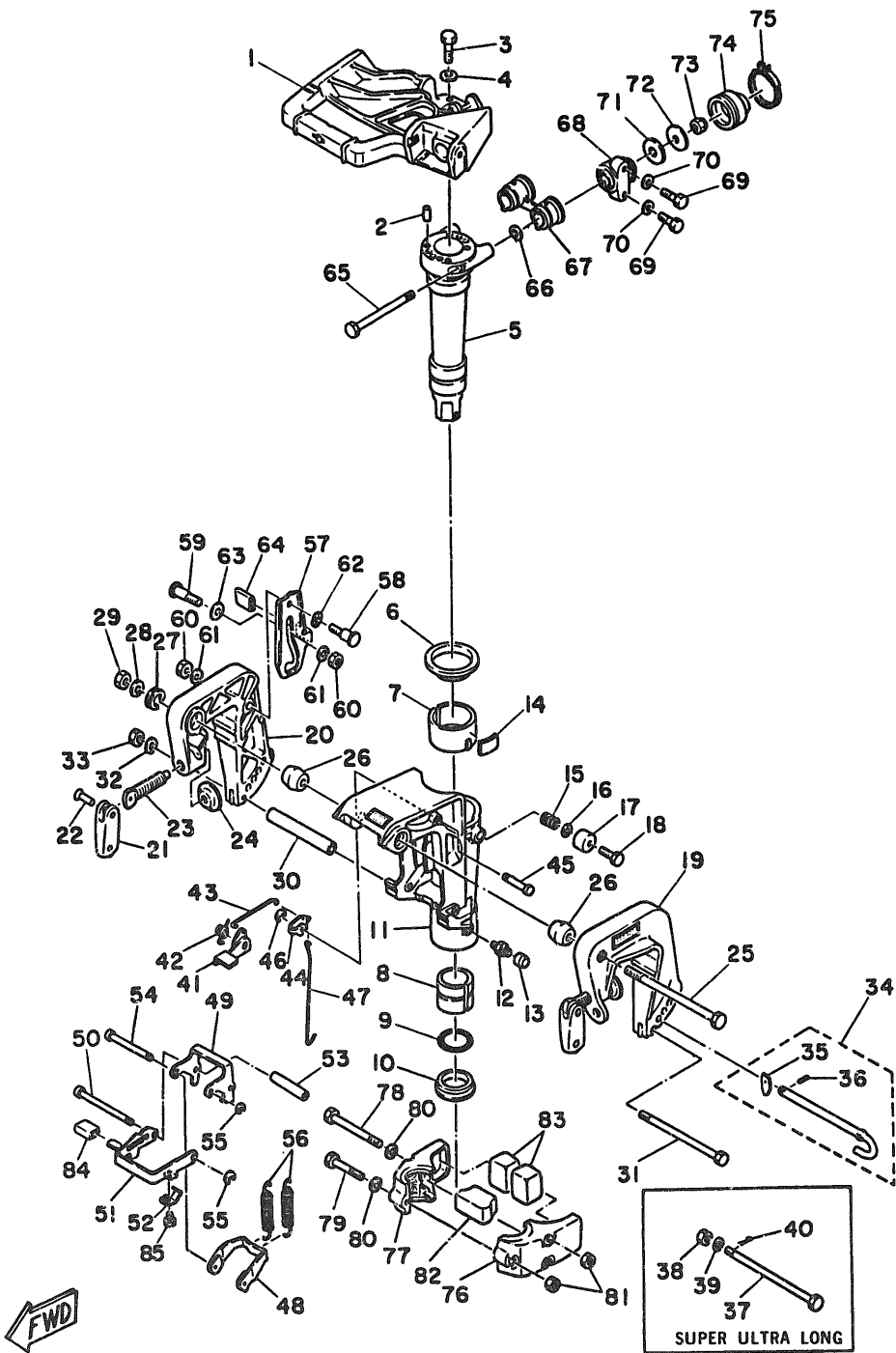


Fig. 8 BRACKET

Ref.No.	Parts No.	Description	Q'ty	Ref.No.	Parts No.	Description	Q'ty
1	682-42511-00-EJ	BRACKET, steering	1	47	682-43617-00	ROD, tilt lock 2	1
2	93606-12019	PIN, dowel B	2	48	682-43614-00	PLATE, tilt lock 1	1
3	97395-06025	BOLT	3	49	682-43615-01	PLATE, tilt lock 2	1
4	92990-06600	WASHER	3	50	682-43659-00	SHAFT, reverse lock	1
5	682-42521-00-EJ	SHAFT, steering pivot	1	51	682-43681-01	LEVER, shallow water drive	1
6	90209-52M01	WASHER	1	52	682-43643-00	SPRING	1
7	682-42537-00	BUSHING, pivot shaft	1	53	90387-06M10	COLLAR	1
8	90386-40M09	BUSHING	1	54	682-43611-00	SHAFT, tilt lock	1
9	93210-40M10	O-RING	1	55	93430-05027	CIRCLIP	2
10	90386-40M08	BUSHING	1	56	90506-26M01	SPRING	2 U.R.
11	682-43311-02-EJ	BRACKET, swivel	1	*	90506-26M07	SPRING (For Dual Thrust Prop.)	2 U.R.
12	93700-06004	NIPPLE, grease	1	57	682-43181-02	LEVER, tilt stop	1
13	663-45119-00	CAP, grease nipple	1	58	90109-06M05	BOLT	1
14	648-42528-00	PIECE, friction	1	59	90109-06M03	BOLT	1
15	90501-18M00	SPRING, compression	1	60	95380-06700	NUT	2
16	92990-08600	WASHER	1	61	92990-06600	WASHER	2
17	676-43373-00	DAMPER, seal	1	62	90206-10M04	WASHER	1
18	97375-08025	BOLT	1	63	682-43339-01	WASHER	1
19	682-43111-00-EJ	BRACKET, clamp 1	1	64	682-43318-01	COVER	1
20	682-43112-01-EJ	BRACKET, clamp 2	1	65	90101-08M30	BOLT	2
21	616-43118-00-EJ	HANDLE, transom clamp	2	66	90201-08M12	WASHER	2
22	90243-04001	PIN	2	67	682-44521-01	SEAL 1	1
23	90149-14030	SCREW, transom clamp	2	68	682-44514-00-94	MOUNT DAMPER, upper side (Short, Long)	2 U.R.
24	648-43114-01	PAD, transom clamp	2	*	682-44514-30-94	MOUNT DAMPER, upper side (Super Ultra Long)	2 U.R.
25	90101-10M57	BOLT	1	69	97395-06025	BOLT	4
26	626-43136-00	PIECE, friction	2	70	92990-06600	WASHER	4
27	90504-59006	SPRING, compression	1	71	90202-13M02	WASHER	4
28	92990-10600	WASHER	1	72	90201-08M13	WASHER	2
29	95380-10700	NUT	1	73	90185-08M00	NUT, self-locking	2
30	90387-06M28	COLLAR	1	74	682-44522-00	SEAL 2	2
31	90101-06M29	BOLT	1	75	90460-42M01	CLAMP, hose	2
32	92990-06600	WASHER	1	76	682-44551-01-EJ	HOUSING, lower mount 1	1
33	95380-06700	NUT	1	77	682-44552-01-EJ	HOUSING, lower mount 2	1
34	682-43160-01	TILT ROD ASS'Y (Short, Long)	1	78	97395-08085	BOLT	2
35	656-43165-01	STOPPER PLATE	1	79	97395-08055	BOLT	1
36	91690-30008	PIN, spring	1	80	92990-08600	WASHER	3
37	90102-08M01	BOLT (Super Ultra Long)	1	81	95380-08700	NUT	3
38	90171-08M00	NUT (Super Ultra Long)	1	82	682-44557-00	MOUNT DAMPER, lower front	1
39	92990-08600	WASHER (Super Ultra Long)	1	83	682-44555-00	MOUNT DAMPER, lower side (Short, Long)	2 U.R.
40	91490-20015	PIN, cotter (Super Ultra Long)	1	*	682-44555-30	MOUNT DAMPER, lower side (Super Ultra Long)	2 U.R.
41	682-43631-00	LEVER, tilt 1	1	84	682-43318-01	COVER	1
42	90508-12M03	SPRING, torsion	1	85	97395-06008	BOLT	1
43	682-43616-00	ROD, tilt lock 1	1				
44	682-43641-00	LEVER, tilt 2	1				
45	90249-06117	PIN	1				
46	93430-05027	CIRCLIP	1				

* Not shown

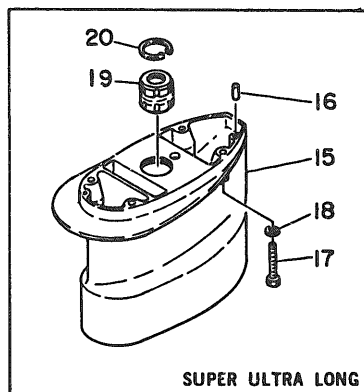
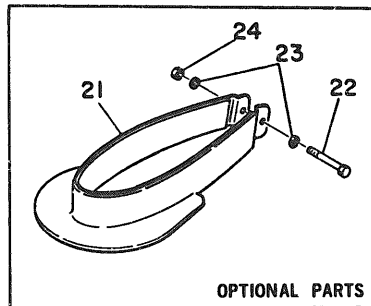
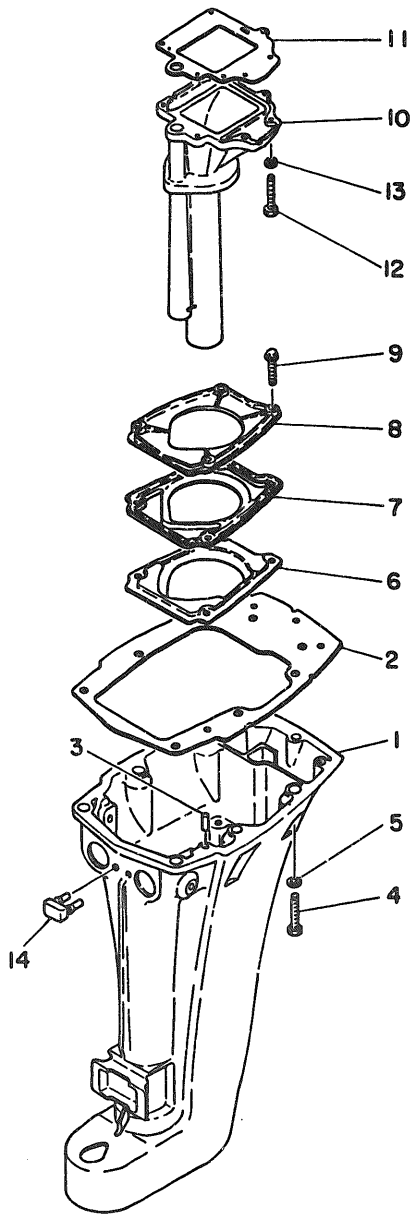


Fig. 10 UPPER CASING

Ref.No.	Parts No.	Description	Q'ty	Ref.No.	Parts No.	Description	Q'ty
1	682-45111-02-EJ	CASING, upper (Short)	1 U.R.	13	92990-06600	WASHER	6
*	682-45111-12-EJ	CASING, upper (Long, Super Ultra Long)	1 U.R.	14	682-44532-00	STOPPER	1
2	682-45113-02	GASKET, upper casing	1	15	682-45211-30-EJ	EXTENSION SUPER ULTRA LONG	1
3	93606-12019	PIN, dowel B	2	16	93606-12019	PIN, dowel B	2
4	97395-08040	BOLT	6	17	97375-08035	BOLT	4
5	92990-08600	WASHER	6	18	92990-08600	WASHER	4
6	682-45126-00-9M	PLATE, seal damper	1	19	90380-13M02	BUSHING	1
7	682-45127-00	SEAL	1	20	93420-30042	CIRCLIP	1
8	682-41116-00-9M	PROTECTOR	1	OPTIONAL PARTS (Long Transom)			
9	90105-06M01	BOLT	4	21	682-45158-00-EJ	PLATE, splash	1 A.P.
10	682-41131-01-9M	MANIFOLD, exhaust	1	22	97395-06040	BOLT	1
11	682-41133-00	GASKET, exhaust manifold	1	23	92990-06600	WASHER	2
12	97395-06020	BOLT	6	24	95380-06700	NUT	1

※ Not shown

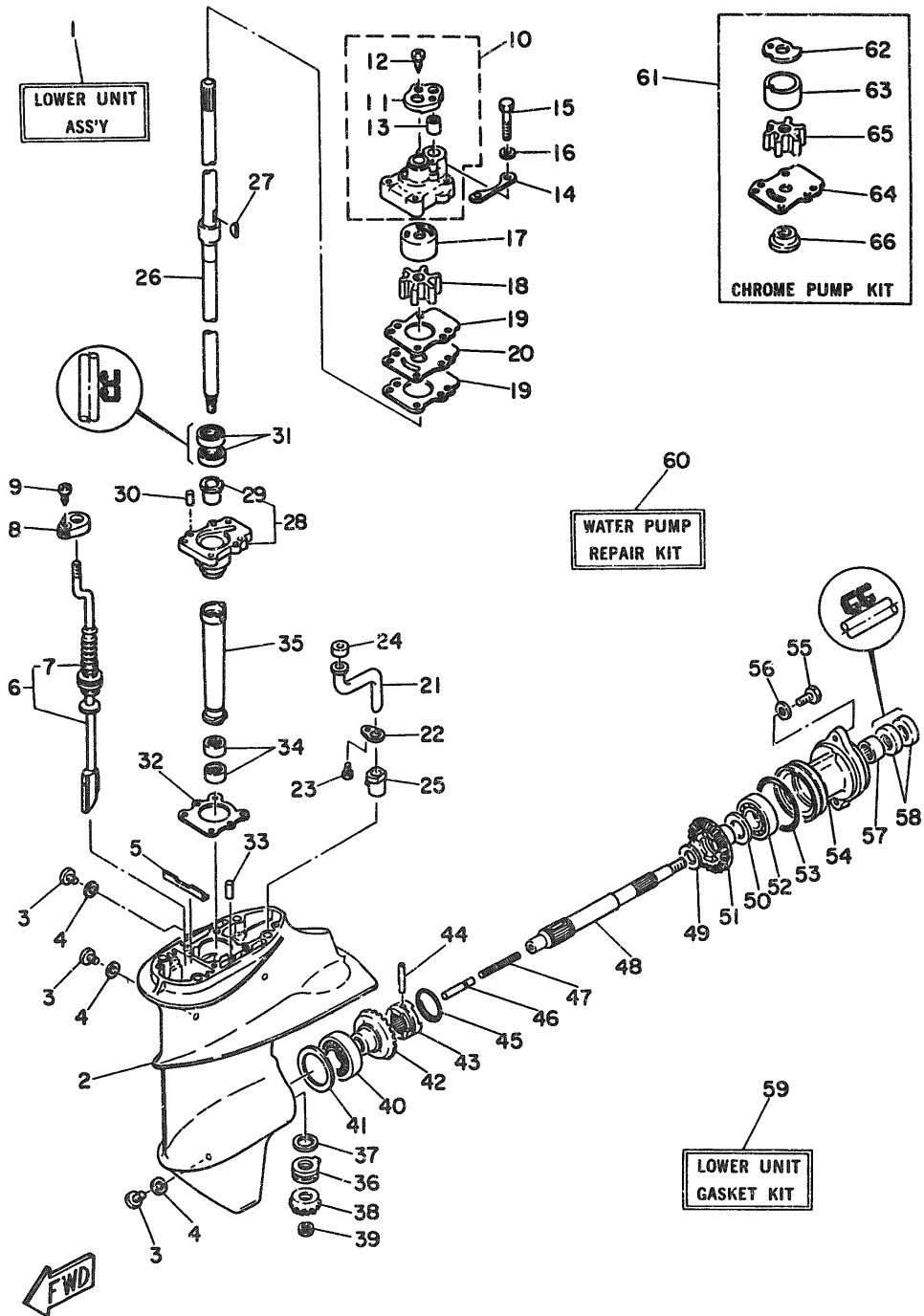


Fig. 11 LOWER & DRIVE 1

Ref.No.	Parts No.	Description	Q'ty	Ref.No.	Parts No.	Description	Q'ty
1	6E7-45300-00-EJ	LOWER UNIT ASS'Y (Short) (Ref. No. 2 to 58)	1 U.R.	35	6E7-45536-00	SLEEVE, drive shaft	1
*	6E7-45300-10-EJ	LOWER UNIT ASS'Y (Long) (Ref. No. 2 to 58)	1 U.R.	36	93341-21401	BEARING, thrust needle	1
2	6E7-45311-00-EJ	CASING, lower	1	37	6E7-45587-00-05	SHIM (0.05mm)	1 U.R.
3	90340-08014	PLUG, straight screw	3		6E7-45587-00-08	SHIM (0.08mm)	1 U.R.
4	90430-08020	GASKET	3		6E7-45587-00-12	SHIM (0.12mm)	1 U.R.
5	682-45376-01	GUIDE, seal damper	1		6E7-45587-00-30	SHIM (0.30mm)	1 U.R.
6	682-44150-00	SHIFT CAM ASS'Y (Short)	1 U.R.		6E7-45587-00-50	SHIM (0.50mm)	1 U.R.
*	682-44150-10	SHIFT CAM ASS'Y (Long)	1 U.R.	38	6E7-45551-00	PINION (13T)	1
*	682-44150-30	SHIFT CAM ASS'Y (Super Ultra Long)	1 U.R.	39	90179-08H06	NUT	1
7	682-44147-00	. BOOT, shift rod	1	40	93332-00005	BEARING, taper roller	1
8	682-44176-00	BRACKET	1	41	664-45567-00-05	SHIM (0.05mm)	1 U.R.
9	97780-50510	SCREW, panhead tapping	1		664-45567-00-08	SHIM (0.08mm)	1 U.R.
10	682-44300-01	HOUSING WATER PUMP ASS'Y	1		664-45567-00-12	SHIM (0.12mm)	1 U.R.
11	682-44312-00	. COVER, water pump housing	1		664-45567-00-30	SHIM (0.30mm)	1 U.R.
12	97780-40112	. SCREW, panhead tapping	2		664-45567-00-50	SHIM (0.50mm)	1 U.R.
13	682-44365-00	. DAMPER, water seal 1	1	42	6E7-45560-00	GEAR 1 ASS'Y (27T)	1
14	682-44328-00	PLATE	2	43	682-45631-00	CLUTCH, dog	1
15	97395-06040	BOLT	4	44	90250-05010	PIN, straight	1
16	92990-06200	WASHER	4	45	648-45633-00	RING, cross pin	1
17	682-44322-00	INSERT, cartridge	1	46	650-45635-00	PLUNGER, shift	1
18	682-44352-00	IMPELLER	1	47	90501-14M06	SPRING, compression	1
19	682-44315-00	GASKET, water pump	2	48	683-45611-00	SHAFT, propeller	1
20	682-44323-00	OUTER PLATE, cartridge	1	49	90201-17682	WASHER	1
21	683-44362-01	TUBE, water 2	1	50	626-45577-00-01	SHIM (0.1mm)	1 U.R.
22	683-44373-00	SET PLATE, water tube	1		626-45577-00-03	SHIM (0.3mm)	1 U.R.
23	97395-06010	BOLT	1		626-45577-00-05	SHIM (0.5mm)	1 U.R.
24	683-44365-01	DAMPER, water seal	1	51	6E7-45571-00	GEAR 2 (27T)	1
25	6E7-44366-00	WATER SEAL 2	1	52	93306-00501	BEARING (B6005)	1
26	6E7-45501-00	DRIVE SHAFT COMP. (Short)	1 U.R.	53	93210-57M09	O-RING	1
*	6E7-45501-10	DRIVE SHAFT COMP. (Long)	1 U.R.	54	683-45361-00-EJ	CAP, lower casing	1
*	6E7-45501-30	DRIVE SHAFT COMP. (Super Ultra Long)	1 U.R.	55	97395-06020	BOLT	2
27	90280-03024	KEY, woodruff	1	56	92990-06600	WASHER	2
28	6E7-45331-00-9M	HOUSING, bearing	1	57	93315-317U2	BEARING, needle	1
29	626-45316-09	. BUSHING	1	58	93101-17054	OIL SEAL	2
30	93606-12019	PIN, dowel B	2	▲ 59	683-W0001-21	LOWER UNIT GASKET KIT	1
31	93101-20046	OIL SEAL	2	* 60	682-W0078-00	WATER PUMP REPAIR KIT	1
32	683-45315-00	PACKING, lower casing	1		CHROME PUMP KIT		
33	93604-08062	PIN, dowel B	1	61	682-W0078-0A	CHROME PUMP KIT	1
34	93315-314V0	BEARING, needle	2	62	682-44321-40	. INNER PLATE, cartridge	1
				63	682-44322-40	. INSERT, cartridge	1
				64	682-44323-40	. OUTER PLATE, cartridge	1
				65	682-44352-40	. IMPELLER	1
				66	682-45344-00	. COVER, oil seal	1

* Not shown

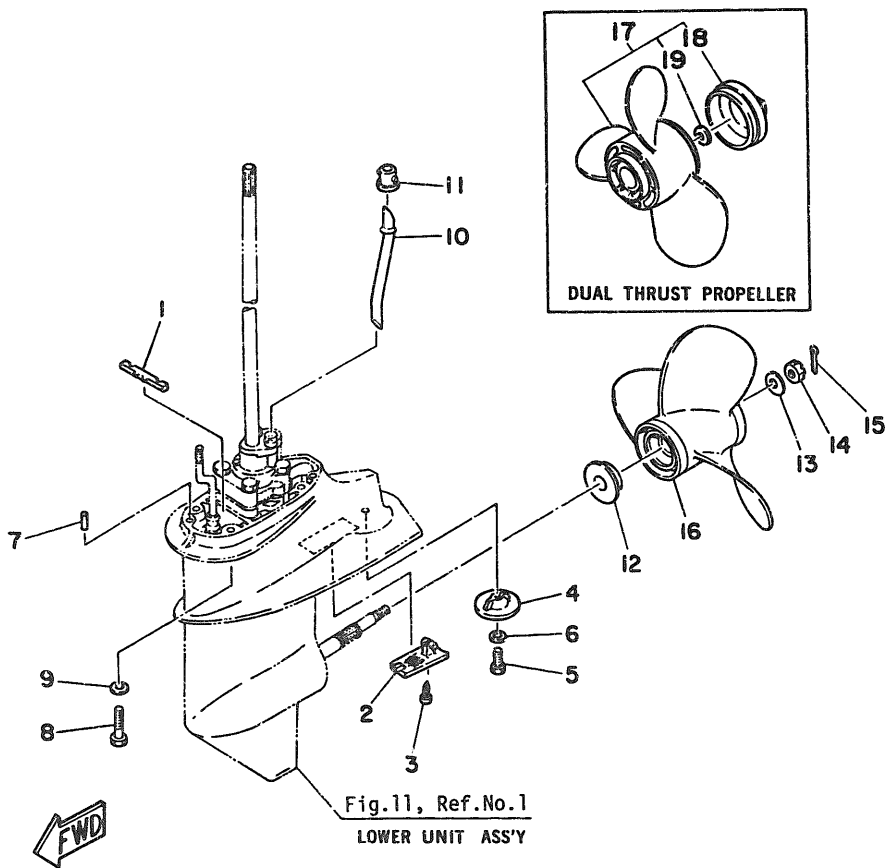
▲ See Fig. 22 for detail service parts.

B6

Fig. 12 LOWER & DRIVE 2

Ref.No.	Parts No.	Description	Q'ty	Ref.No.	Parts No.	Description	Q'ty
1	682-45375-01	DAMPER, seal 2	1	14	90171-10M01	NUT, castle	1
2	683-45214-01	COVER, water inlet 1	1	15	91490-30020	PIN, cotter	1
3	97780-50525	SCREW, panhead tapping	1	PROPELLER ASS'Y			
4	683-45251-00	ANODE	1	16	683-45941-00-36	PROPELLER ASS'Y 1(3x9"x12"-J)	1 U.R.
5	97395-06016	BOLT	1		683-45943-00-36	PROPELLER ASS'Y 2(3x9"x10"-J)	1 U.R.
					683-45945-00-36	PROPELLER ASS'Y 3(3x9"x9"-J)	1 U.R.
6	92990-06600	WASHER	1		683-45947-00-36	PROPELLER ASS'Y 4(3x9"x8"-J)	1 U.R.
7	93606-12019	PIN, dowel B	2		683-45949-00-36	PROPELLER ASS'Y 5(3x9"x6"-J)	1 U.R.
8	97375-08035	BOLT	4		683-45952-00-36	PROPELLER ASS'Y 6(3x9"x9"-J)	1 U.R.
9	92990-08600	WASHER	4	DUAL THRUST PROPELLER			
10	682-44361-00	TUBE, water (Short)	1 U.R.	17	683-W4591-01-36	PROPELLER ASS'Y (3x9"x8"-J)	1 U.R.
*	682-44361-10	TUBE, water (Long)	1 U.R.		683-W4592-01-36	PROPELLER ASS'Y (3x9"x6"-J)	1 U.R.
*	682-44361-30	TUBE, water (Super Ultra Long)	1 U.R.				
11	626-44365-01	DAMPER, water seal 1	1	18	6E7-45616-00	NUT, propeller	1
12	683-45987-01	SPACER 1	1	19	90201-10M15	WASHER	1
13	90201-10M14	WASHER	1				

* Not shown



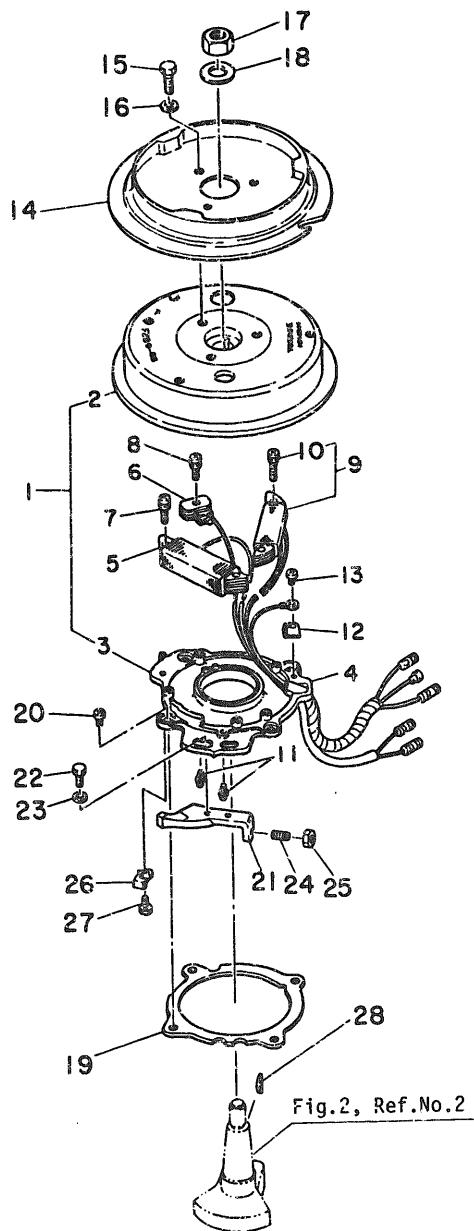


Fig. 13 C.D.I. MAGNETO

Ref.No.	Parts No.	Description	Q'ty	Ref.No.	Parts No.	Description	Q'ty
1	6E7-85500-F0	C.D.I. MAGNETO ASS'Y	1	15	97313-06012	BOLT	3
2	6E7-85550-70	. ROTOR ASS'Y	1	16	92903-06600	WASHER	1
3	6E7-85560-A0	. BASE ASS'Y	1	17	90170-12066	NUT	1
4	6E7-85509-70	. . BASE, magneto	1	18	90201-12472	WASHER	1
5	6E7-85520-70	. . CHARGE COIL ASS'Y	1	19	682-41613-02	PLATE, base friction	1
6	6E7-85580-70	. . PULSER COIL ASS'Y	1	20	97803-05008	SCREW, panhead	4
7	90159-05039	. . SCREW, with washer	2	21	6E8-41213-00-94	CAM, accel	1
8	90159-05038	. . SCREW, with washer	1	22	97313-05010	BOLT	2
9	6E7-81303-A0	. . LIGHTING COIL ASS'Y	1	23	92903-05600	WASHER	2
10	90159-05039	. . . SCREW, with washer	2	24	90113-05M00	BOLT, set	1
11	663-85518-00	. . JOINT, ball	2	25	95380-05700	NUT	1
12	6E7-61328-70	. . CLAMP, cord	1	26	682-41616-00	STOPPER, magneto base 2	1
13	97802-04006	. . SCREW	1	27	97390-05010	BOLT	1
14	6E7-15723-00-94	PULLEY, starter	1	28	90280-05013	KEY, woodruff	1

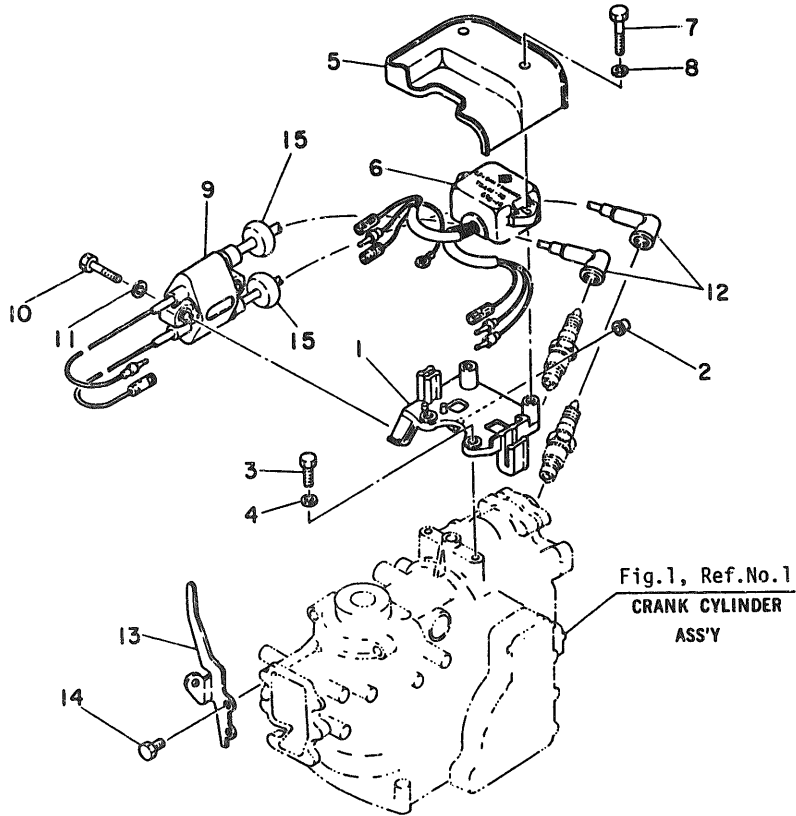
FWD

C1

Fig. 14 ELECTRIC PARTS

Ref.No.	Parts No.	Description	Q'ty	Ref.No.	Parts No.	Description	Q'ty
1	6E7-85542-00-94	BRACKET	1	9	695-85570-10	IGNITION COIL ASS'Y	1
2	6E7-82317-00	DAMPER	2	10	97313-06030	BOLT	2
3	97313-06020	BOLT	2	11	92903-06600	WASHER	2
4	92903-06600	WASHER	2	12	663-82370-01	PLUG CAP ASS'Y	2 U.R.
5	6E7-81916-00	COVER, terminal	1	*	6E3-82370-20	PLUG CAP ASS'Y (With Resistor)	2 U.R.
6	695-95540-10	C.D.I. UNIT ASS'Y	1	13	662-81332-02	PLATE, timing	1
7	97313-06030	BOLT	2	14	97313-06014	BOLT	2
8	92903-06200	WASHER	2	15	90480-25161	GROMMET	2

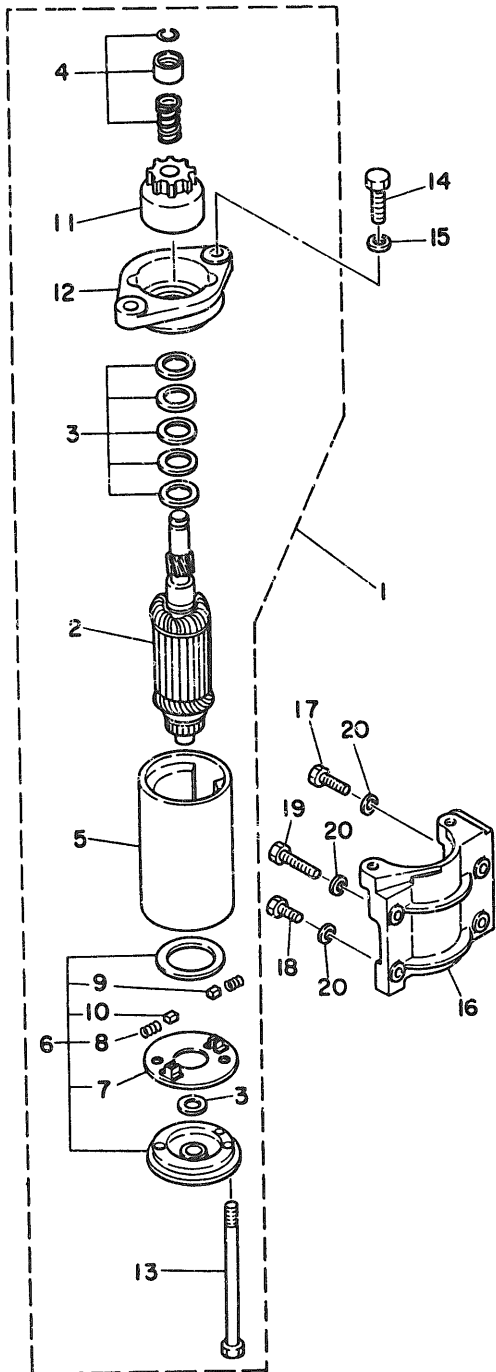
* Not shown



FWD

Fig. 15 ELECTRIC MOTOR (9.9DPE/15DPE MODEL)

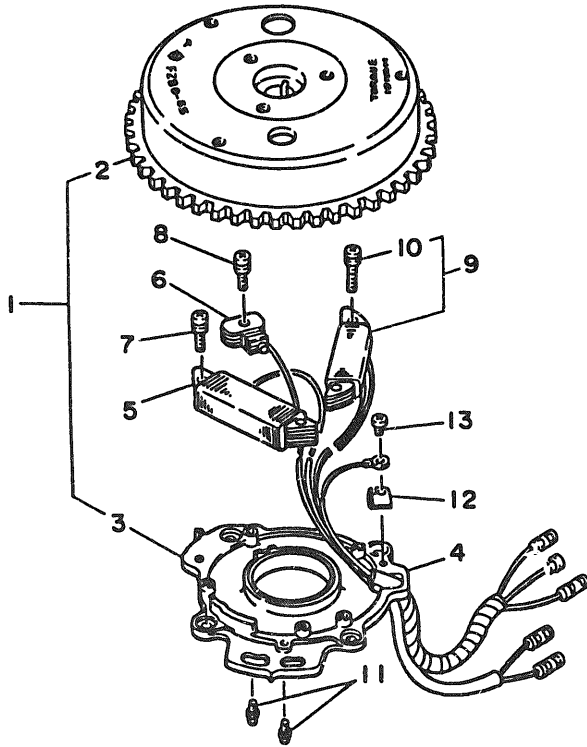
Ref.No.	Parts No.	Description	Q'ty	Ref.No.	Parts No.	Description	Q'ty
1	682-81800-11	ELECTRIC MOTOR ASS'Y	1	11	682-81832-10	. PINION ASS'Y	1
2	682-81850-10	. ARMATURE ASS'Y	1	12	682-81830-10	. FRONT COVER ASS'Y	1
3	682-81809-10	. WASHER KIT	1	13	682-81826-10	. BOLT	2
4	682-81833-10	. PINION STOPPER SET	1	14	97313-08025	BOLT	2
5	682-81810-11	. STATOR ASS'Y	1	15	92903-08600	WASHER	2
6	682-81820-10	. REAR COVER ASS'Y	1	16	682-81822-42-94	BRACKET, electric motor	1
7	682-81340-10	. BRUSH HOLDER ASS'Y	1	17	97313-06025	BOLT	1
8	682-81813-10	. SPRING, brush	2	18	97313-06020	BOLT	2
9	682-81811-10	. BRUSH 1 (+)	1	19	97313-06030	BOLT	1
10	682-81812-10	. BRUSH 2 (-)	1	20	92903-06600	WASHER	4



FWD

Fig. 16 C.D.I. MAGNETO (9.9DPE/15DPE MODEL)

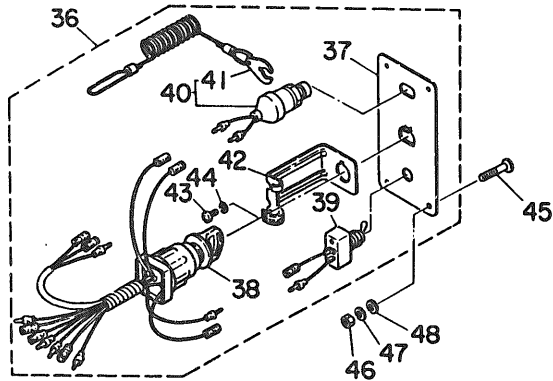
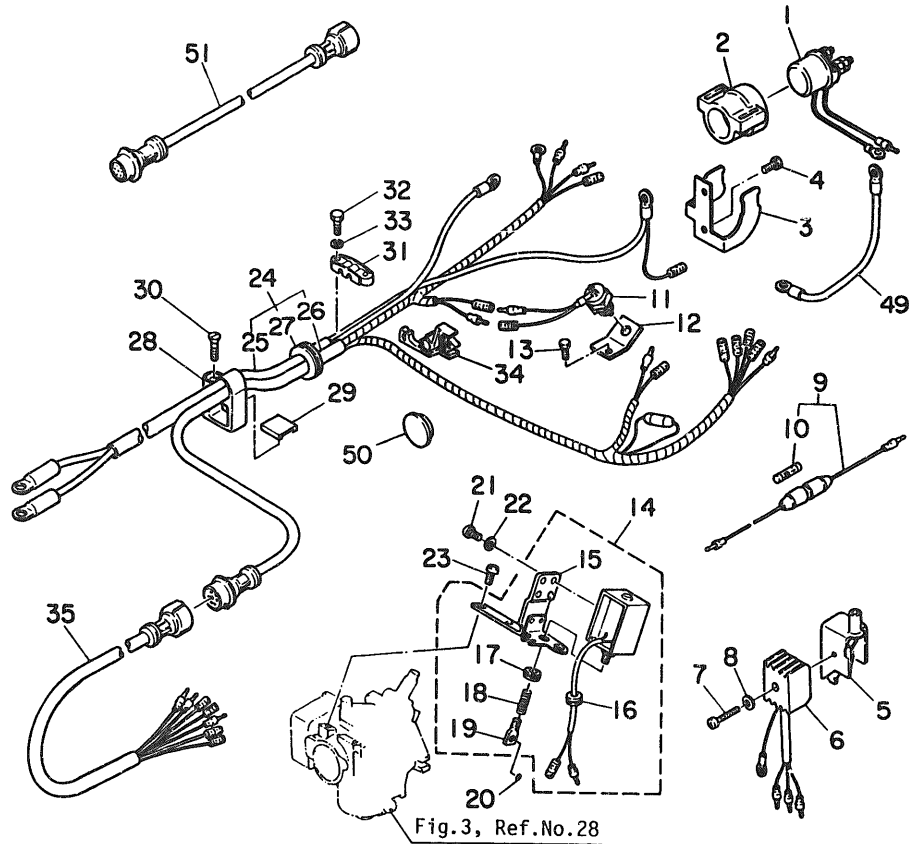
Ref.No.	Parts No.	Description	Q'ty	Ref.No.	Parts No.	Description	Q'ty
1	6E7-85500-A0	C.D.I. MAGNETO ASS'Y	1	8	90159-05038	. . SCREW, with washer	1
2	6E7-85550-A0	. ROTOR ASS'Y	1	9	6E7-81303-A0	. . LIGHTING COIL ASS'Y	1
3	6E7-85560-A0	. BASE ASS'Y	1	10	90159-05039	. . . SCREW, with washer	2
4	6E7-85509-70	. . BASE, magneto	1	11	663-85518-00	. . JOINT, ball	2
5	6E7-85520-70	. . CHARGE COIL ASS'Y	1	12	6E7-81328-70	. . CLAMP, cord	1
6	6E7-85580-70	. . PULSER COIL ASS'Y	1	13	97802-04006	. . SCREW	1
7	90159-05039	. . SCREW, with washer	2				



FWD

C4

Fig. 17 ELECTRIC PARTS (9.9DPE/15DPE MODEL)



Ref.No.	Parts No.	Description	Q'ty	Ref.No.	Parts No.	Description	Q'ty
1	6G1-81941-10	STARTER RELAY ASS'Y	1	27	682-42724-50	. GROMMET	1
2	6G1-81952-00	HOLDER, starter relay	1	28	689-82594-10	CLAMP	1
3	6E7-81945-00	PLATE, switch fitting	1	29	682-42525-00	PLATE, friction 1	1
4	97313-06014	BOLT	2	30	90161-06M00	SCREW, flathead tapping	1
5	6E7-15771-40-94	STAY	1	31	90464-08M03	CLAMP	1
6	664-81970-60	RECTIFIER ASS'Y	1	32	97313-06016	BOLT	2
7	97803-05025	SCREW, panhead	1	33	92903-06600	WASHER	2
8	92903-05600	WASHER	1	34	682-82594-01	CLAMP	1
9	682-82150-10	FUSE HOLDER ASS'Y	1	35	688-82586-21	EXTENSION, wire harness	1
10	663-82151-00	. FUSE (12V-20A)	1	36	689-82570-13	SWITCH PANEL ASS'Y	1
11	689-82540-01	NEUTRAL SWITCH ASS'Y	1	37	689-82571-01	. PANEL, switch	1
12	682-82554-00	STAY, neutral switch	1	38	682-82510-11	. MAIN SWITCH ASS'Y	1
13	97313-06012	BOLT	1	39	688-82574-00	. SWITCH, choke	1
14	682-86110-00	SOLENOID COIL ASS'Y	1	40	688-82575-01	. KILL SWITCH ASS'Y	1
15	682-86112-00	. STAY, solenoid	1	41	682-82556-00	. . STOPPER ASS'Y	1
16	648-86115-40	. GROMMET	1	42	663-82581-01	. STAY, cord clamp	1
17	90480-10155	. GROMMET	1	43	98303-04008	. SCREW, cylinderhead	1
18	682-86116-00	. WIRE, pull	1	44	92901-04100	. WASHER	1
19	682-86117-00	. HOOK, wire pull	1	45	98903-05025	SCREW, bind	4
20	93210-03261	O-RING	1	46	95303-05600	NUT	4
21	98503-04005	SCREW, panhead	4	47	92903-05100	WASHER	4
22	92901-04100	WASHER	4	48	92903-05600	WASHER	4
23	97803-05012	SCREW, panhead	2	49	6E7-82117-00	WIRE, lead	1
24	6E7-82580-11	WIRE HARNESS ASS'Y	1	50	90480-17165	GROMMET	1
25	6E7-82105-10	. WIRE LEAD ASS'Y	1	51	688-82586-11	EXTENSION, wire harness (2m)	1
26	6E7-82590-11	. WIRE HARNESS ASS'Y	1				

FWD

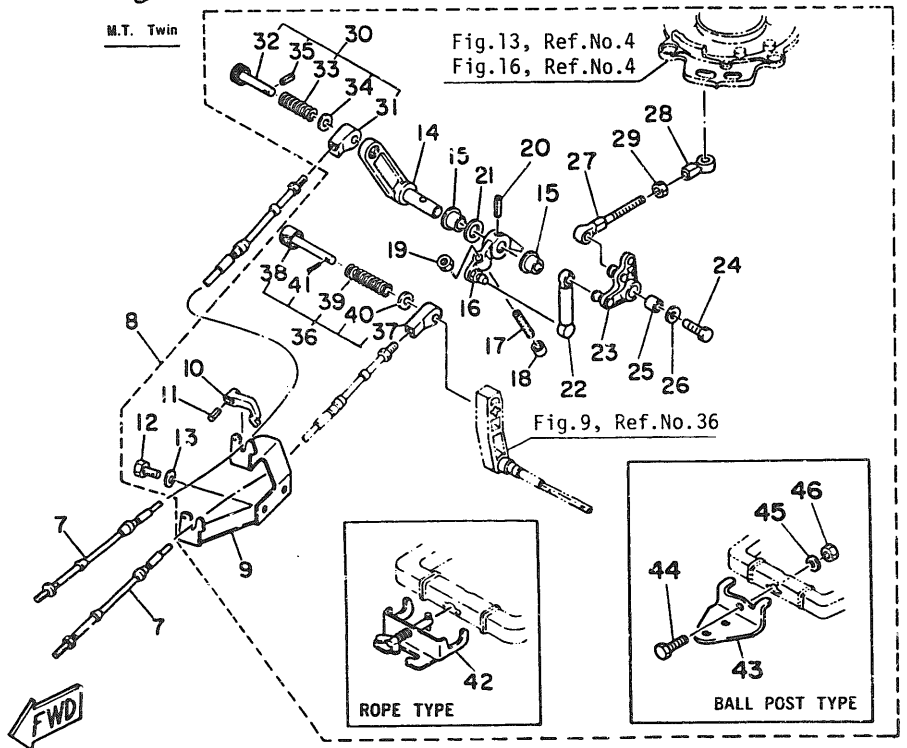
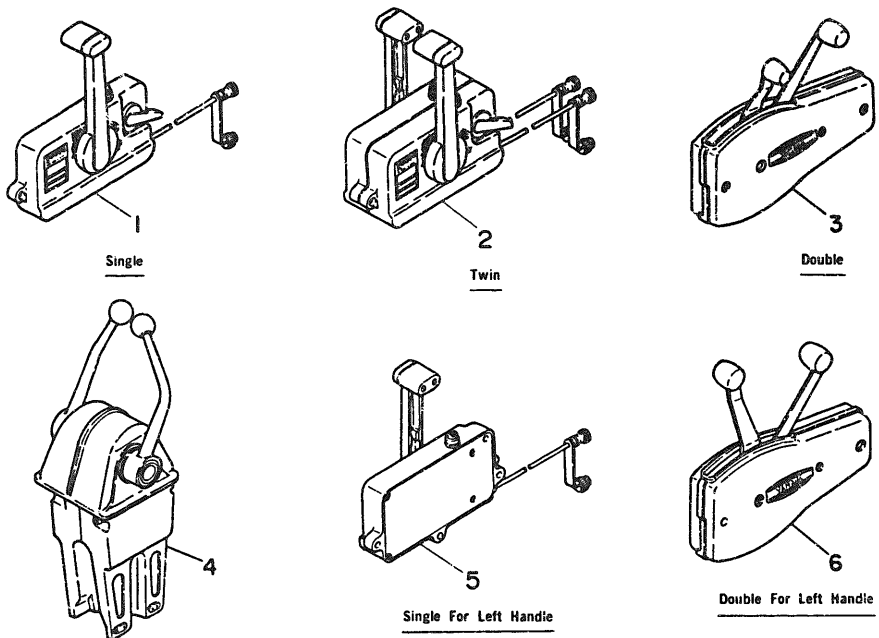
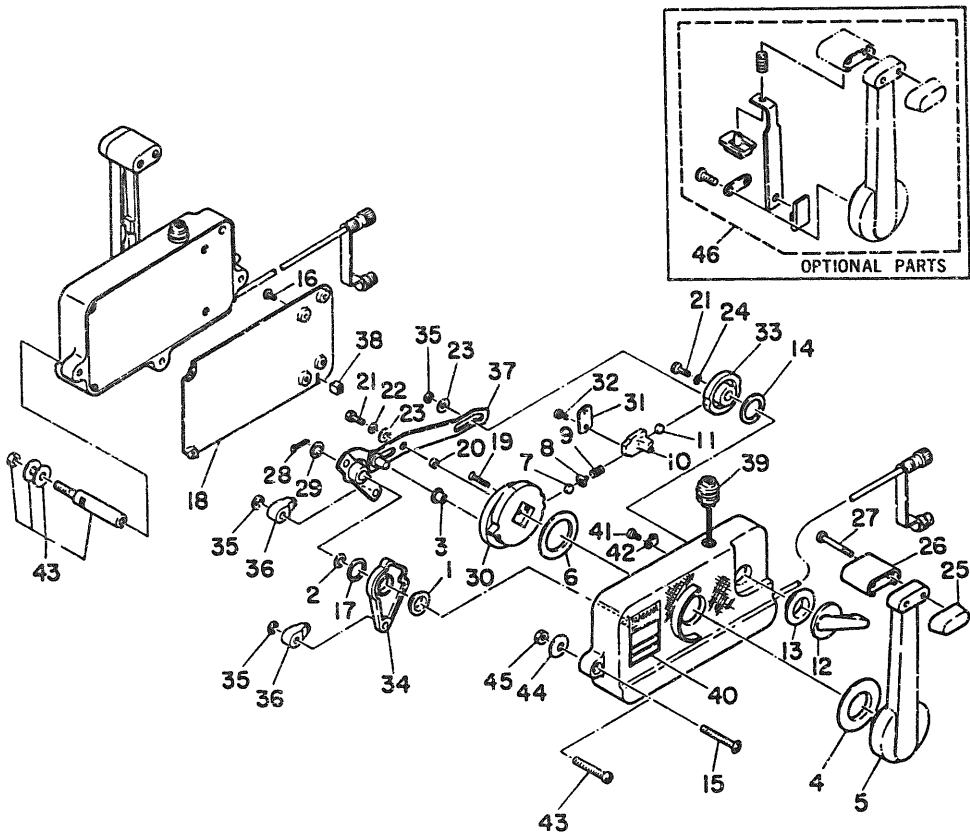


Fig. 18 REMOTE CONTROL

Ref.No.	Parts No.	Description	Q'ty	Ref.No.	Parts No.	Description	Q'ty
REMOTE CONTROL							
▲ 1	701-48101-10	REMOTE CONTROL ASS'Y 1	1 U.R.	14	682-41631-50-94	. LEVER, magneto control 1	1
▲ 2	701-48110-22	REMOTE CONTROL ASS'Y 2	1 U.R.	15	90386-10009	. BUSHING	2
3	701-48110-31	REMOTE CONTROL ASS'Y 3	1 U.R.	16	682-41632-50-94	. LEVER, magneto control 2	1
4	701-48110-80	REMOTE CONTROL ASS'Y 8	1 U.R.	17	90113-06M01	. BOLT	1
▲ 5	701-48102-10	REMOTE CONTROL ASS'Y 1	1 U.R.	18	663-44194-00	. CAP	1
6	701-48120-31	REMOTE CONTROL ASS'Y 3	1 U.R.	19	95380-06700	. NUT	1
7	701-48310-10	CABLE, remote control (6F)	2 U.R.	20	91690-40018	. PIN, spring	1
	701-48310-20	CABLE, remote control (7F)	2 U.R.	21	90202-10024	. WASHER	1
	701-48310-40	CABLE, remote control (8F)	2 U.R.	22	682-41238-51	. JOINT, link 1	1
	701-48310-60	CABLE, remote control (9F)	2 U.R.	23	682-41633-00-94	. LEVER, magneto control 3	1
	701-48310-80	CABLE, remote control (10F)	2 U.R.	24	97313-06020	. BOLT	1
	701-48310-90	CABLE, remote control (11F)	2 U.R.	25	90387-06M02	. COLLAR	1
	701-48320-00	CABLE, remote control (12F)	2 U.R.	26	90387-06298	. COLLAR	1
	701-48320-20	CABLE, remote control (13F)	2 U.R.	27	682-41237-50	. JOINT, link 2	1
	701-48320-30	CABLE, remote control (14F)	2 U.R.	28	682-41237-00	. JOINT, link 2	1
	701-48320-50	CABLE, remote control (15F)	2 U.R.	29	95380-05700	. NUT	1
	701-48320-60	CABLE, remote control (16F)	2 U.R.	30	682-48340-50	. CABLE END ASS'Y (Throttle)	1
	701-48320-80	CABLE, remote control (17F)	2 U.R.	31	682-48344-50	. . CABLE END, remote control 1	1
	701-48320-90	CABLE, remote control (18F)	2 U.R.	32	617-48361-90	. . HOOK, cable	1
	701-48320-40	CABLE, remote control (19F)	2 U.R.	33	90501-10264	. . SPRING	1
	701-48320-70	CABLE, remote control (20F)	2 U.R.	34	92990-08600	. . WASHER	1
	701-48350-00	CABLE, remote control (21F)	2 U.R.	35	91690-30012	. . PIN, spring	1
	701-48350-10	CABLE, remote control (22F)	2 U.R.	36	682-48330-50	. CABLE END ASS'Y (Shift)	1
	701-48350-20	CABLE, remote control (23F)	2 U.R.	37	682-48346-50	. . CABLE END, remote control 3	1
				38	617-48331-90	. . HOOK, cable	1
REMOTE CONTROL ATTACHMENT							
8	682-48501-01	ATTACHMENT ASS'Y (Rope Type) (Ref. No. 9 to 42)	1 U.R.	39	90501-10071	. . SPRING	1
	682-48501-11	ATTACHMENT ASS'Y (Ball Post Type) (Ref. No. 9 to 41, 43 to 46)	1 U.R.	40	92990-08600	. . WASHER	1
9	682-48531-51	. BRACKET, remote control 1	1	41	91690-30012	. . PIN, spring	1
10	682-48538-50	. CLAMP, cable	2	ROPE TYPE			
11	91690-30012	. PIN, spring	2	42	700-48510-12	. STEERING HOOK ASS'Y BALL POST TYPE	1
12	97395-06016	. BOLT	2	43	676-48511-10	. HOOK, steering	1
13	32990-06600	. WASHER	2	44	97375-10040	. BOLT	1
				45	92990-10600	. WASHER	1
				46	90185-10051	. NUT, self-locking	1

▲ See Fig. 19 for detail service parts

Fig. 19 REMOTE CONTROL ASS'Y



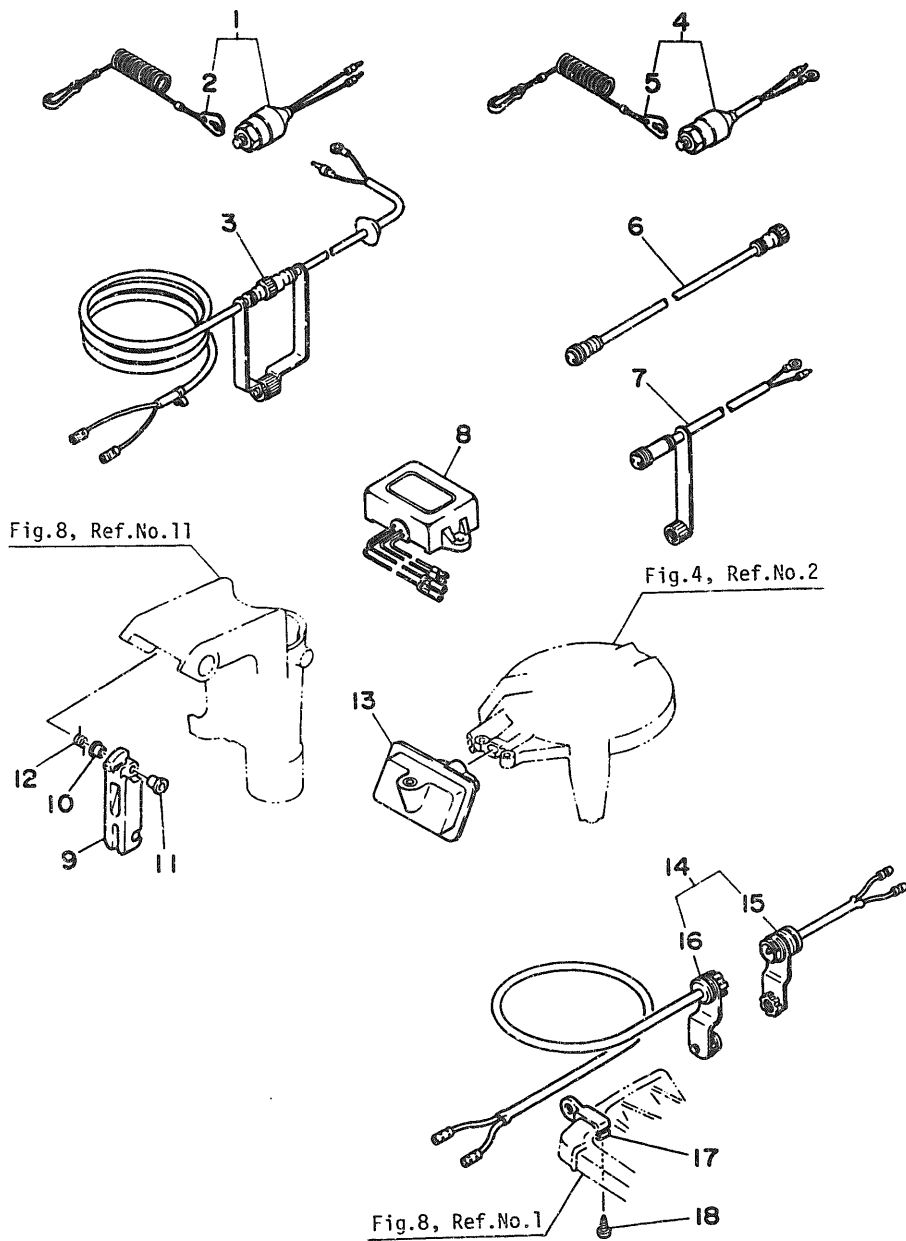
Ref.No.	Parts No.	Description	Q'ty Single Twin	Ref.No.	Parts No.	Description	Q'ty Single Twin
*	701-48101-10	REMOTE CONTROL ASS'Y 1 (Right) (See Fig. 18, Ref. No. 1)	1 -	23	701-48246-00	. SPACER 1	2 4
*	701-48102-i0	REMOTE CONTROL ASS'Y 1 (Left) (See Fig. 18, Ref. No. 5)	1 -	24	92990-06300	. WASHER, internal toothed	1 2
*	701-48110-22	REMOTE CONTROL ASS'Y 2 (See Fig. 18, Ref. No. 2)	- 1	25	701-48229-00	. GRIP, control lever 2	1 2
1	701-48235-00	. BUSHING 2	1 2	26	701-48222-00	. GRIP, control lever 1	1 2
2	701-48197-10	. WASHER, wave 2	1 2	27	701-48282-00	. SCREW 2 (M5x50mm)	2 4
3	701-48252-00	. ROLLER, cam	1 2	28	701-48239-00	. SET PIN, plate	1 2
4	701-48234-00	. BUSHING 1	1 2	29	701-48266-00	. SPACER 2	1 2
5	701-48221-00	. LEVER, control	1 2	30	701-48232-00	. GEAR 1	1 2
6	701-48196-11	. WASHER, wave 1	1 2	31	701-48189-11	. RETAINER	1 2
7	701-48236-00	. ROLLER, detent	1 2	32	98580-05010	. SCREW, parhead	2 4
8	702-48237-00	. ADAPTOR	1 2	33	701-48153-12	. SHAFT, free accel.	1 2
9	702-48238-00	. SPRING, detent	1 2	34	701-48271-00	. ARM, shift (Right)	1 1
10	701-48249-00	. ADAPTOR, spring	1 2	*	701-48271-10	. ARM, shift (Left)	1 1
11	701-48248-00	. ROLLER, free accel.	1 2	35	93430-06024	. CIRCLIP	3 6
12	701-48152-11	. KNOB, free accel. (Right)	1 1	36	701-48345-30	. CABLE END, remote control 2	2 4
*	701-48152-20	. KNOB, free accel. (Left)	1 1	37	701-48261-00	. ARM, throttle (Right)	1 1
13	701-48243-00	. BUSHING 3	1 2	*	701-48261-10	. ARM, throttle (Left)	1 1
14	701-48198-10	. WASHER, wave 3	1 2	38	701-48358-00	. ANCHOR, cable 2	1 2
15	701-48281-10	. SCREW 1	3 -	39	701-82550-50	. STOP SWITCH ASS'Y	1 2
16	701-48289-00	. SCREW 4	4 8	40	701-48126-00	. GRAPHIC	1 2
17	701-48268-00	. SPACER 3	1 2	41	701-48283-00	. SCREW 3 (M4x10mm)	1 2
18	701-48213-00	. PLATE	1 2	42	701-82594-00	. CLAMP	1 2
19	92780-06025	. SCREW, flathead	2 4	43	701-48291-00	. ATTACHMENT	- 1
20	701-48255-00	. COLLAR 1	1 2	44	701-48287-00	. WASHER	3 -
21	97395-06018	. BOLT	2 4	45	95380-06600	. NUT	3 -
22	702-48288-00	. WASHER, plain	1 2				
						OPTIONAL PARTS	
				46	701-48280-00	NEUTRAL LOCK KIT	1 2 A.P.

* Not shown

FWD

Fig. 20 OPTIONAL PARTS 1

Ref.No.	Parts No.	Description	Q'ty	Ref.No.	Parts No.	Description	Q'ty
KILL SWITCH (5m)				CARRYING HANDLE			
1	689-82575-12	KILL SWITCH ASS'Y	1	9	682-42731-01-EJ	CARRYING HANDLE	1
2	682-82556-00	. STOPPER ASS'Y	1	10	90386-10025	BUSHING	1
3	689-82553-20	EXTENSION, wire lead	1	11	90386-10045	BUSHING	1
KILL SWITCH				VERTICAL STARTER			
4	6E0-82575-01	KILL SWITCH ASS'Y	1	12	90508-16M04	SPRING, tenston	1
5	682-82556-00	. STOPPER ASS'Y	1	13	6E7-15758-80-E.1	GUIDE, wire	1
STOP SWITCH EXTENSION (Remo-Con Type)				CONCENT 2P			
6	689-82553-10	EXTENSION, wire lead (For Stop Switch)	1	14	682-84380-00	CONCENT 2P ASS'Y	1
7	689-84340-00	SOCKET CORD ASS'Y (For Stop Switch Extension)	1	15	682-84381-00	. 2P CONCENT 1	1
VOLTAGE REGULATOR				CONCENT 2P			
8	663-81910-10	VOLTAGE REGULATOR ASS'Y	1	16	682-84382-00	. 2P CONCENT 2	1
				17	682-84387-00	HOLDER	1
				18	97780-50512	SCREW	1



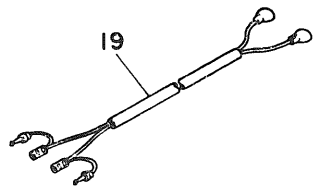
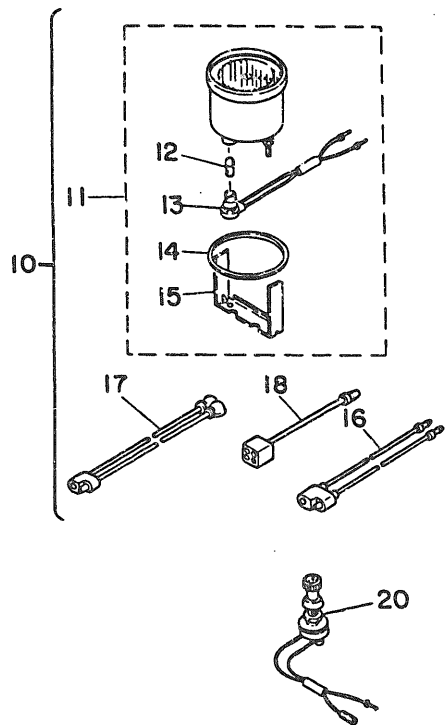
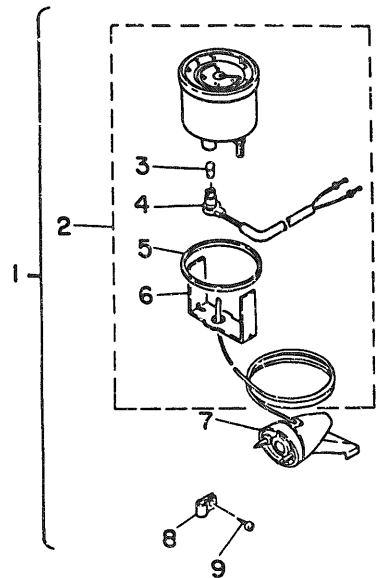


Fig. 21 OPTIONAL PARTS 2

Ref.No.	Parts No.	Description	Q'ty	Ref.No.	Parts No.	Description	Q'ty
		SPEEDOMETER					
1	688-W0081-00	SPEEDOMETER KIT	1	11	688-83540-00	. TACHOMETER ASS'Y	1
2	688-83510-01	. SPEEDOMETER ASS'Y	1	12	688-83516-00	. . BULB (12V-1.7W)	1
3	688-83516-00	. . BULB (12V-1.7W)	1	13	688-83536-00	. . SOCKET, meter	1
4	688-83536-00	. . SOCKET, meter	1	14	688-83523-00	. . DAMPER	1
5	688-83523-00	. . DAMPER	1	15	688-83544-00	. . PLATE, fitting	1
6	688-83514-00	. . PLATE, fitting	1	16	676-82553-60	. EXTENSION, wire lead	1
7	688-83556-01	. SENDER	1	17	663-82541-09	. WIRE, lead	1
8	90601-31402	. CLIP, nylon 14	5	18	676-82529-60	. CONNECTOR	2
9	97780-40116	. SCREW, panhead tapping	5	19	689-83553-20	EXTENSION, wire lead	1
10	676-W0080-01	TACHOMETER KIT	1			LAMP SWITCH	
				20	688-82520-00	LAMP SWITCH ASS'Y	1 U.R.
				21	688-82560-00	SWITCH, lamp	1 U.R.

Fig. 22 REPAIR KIT

Ref.No.	Parts No.	Description	Q'ty	Ref.No.	Parts No.	Description	Q'ty
1	677-W0093-00	CARBURETOR REPAIR SET	1	24	655-24564-00	. PACKING, filter	1
2	677-14198-00	. GASKET	1	25	93210-37M25	. O-RING	1
3	626-14390-90	. VALVE SEAT ASS'Y	1	26	682-44367-00	. DAMPER water seal 3	1
4	367-14195-00	. WASHER, valve seat	1	27	682-44366-00	. DAMPER, water seal 2	1
5	647-14385-00	. FLOAT	1	28	683-W0001-21	LOWER UNIT GASKET KIT	1
6	626-14386-00	. PIN, float	1	29	682-45113-01	. GASKET, upper casing	1
7	677-14384-00	. GASKET, float chamber	1	30	682-41133-00	. GASKET, exhaust manifold	1
8	1J2-14398-00	. GASKET	1	31	626-44365-01	. DAMPER, water seal 1	1
9	655-14398-00	. GASKET	1	32	90430-08020	. GASKET	3
10	648-14321-00	. SCREW, throttle	1	33	682-44315-00	. GASKET, water pump	2
11	6E7-14227-00	. PACKING	1	34	6E7-44366-00	. DAMPER, water seal 2	1
12	682-W0001-02	POWER HEAD GASKET KIT	1	35	93101-20048	. OIL SEAL	2
13	682-13621-00	. PACKING, valve seat	1	36	683-45315-00	. PACKING, lower casing	1
14	677-14198-00	. GASKET	1	37	93210-57M09	. O-RING	1
15	682-11181-01	. GASKET, cylinder head	1	38	93101-17054	. OIL SEAL	2
16	672-12414-00	. GASKET, cover	1	39	682-W0078-00	WATER PUMP REPAIR KIT	1
17	682-41112-00	. GASKET, exhaust inner cover	2	40	682-44365-00	. DAMPER, water seal 1	1
18	93110-23M00	. OIL SEAL	1	41	97395-06040	. BOLT	4
19	93210-53M08	. O-RING	1	42	682-44322-00	. INSERT, cartridge	1
20	93101-20M10	. OIL SEAL	1	43	682-44352-00	. IMPELLER	1
21	93101-13M11	. OIL SEAL	2	44	682-44315-00	. GASKET, water pump	2
22	682-11351-01	. GASKET, cylinder	1	45	682-44323-00	. OUTER PLATE, cartridge	1
23	682-45113-01	. GASKET, upper casing	1	46	90280-03024	. KEY, woodruff	1

NUMERICAL INDEX

PART NO.	REF. NO.	PART NO.	REF. NO.	PART NO.	REF. NO.	PART NO.	REF. NO.	PART NO.	REF. NO.	PART NO.	REF. NO.
682-W0001-02	1-35	6E7-13610-00	3- 8	677-15705-02	4-12	6E0-28100-00	5-32	6G1-42177-00	9-13	682-43681-01	8-51
	22-12	6E8-13610-00	3- 8	6E7-15710-01-94	4- 1	6E0-28193-00-94	5-33	682-42511-00-EJ	8- 1	682-44111-01-94	9-36
683-W0001-21	11-59	682-13621-00	3-14	682-15711-71-94	4- 2	682-41111-00-9M	1-22	682-42521-00-EJ	8- 5	682-44116-00	9-40
	22-28		22-13	677-15714-00-94	4- 6	682-41112-00	1-23	682-42525-00	17-29	682-44117-00	9-41
682-W0004-00	3- 9	6E7-13625-00	3-10	677-15717-01	4- 8		22-17	648-42528-00	8-14	682-44118-01	9-45
6E7-W0070-20	6- 2	6E7-14157-00	3-52	6E7-15723-00-94	13-14	682-41113-00-9M	1-24	682-42537-00	8- 7	682-44121-00	9-38
682-W0078-0A	11-61	367-14195-00	3-32	677-15741-01	4-13	682-41116-00-9M	10- 8	6E7-42610-21-EJ	6- 1	682-44124-00	9-48
682-W0078-00	11-60		22- 4	682-15746-00	4-33	682-41131-01-9M	10-10	6E8-42610-21-EJ	6- 1	682-44125-01	9-43
	22-39	677-14198-00	3-17	682-15747-00	4-35	682-41133-00	10-11	6E7-42613-00-EJ	6- 9	682-44132-00	9-37
676-W0080-01	21-10		22- 2	656-15748-00	4-30		22-30	682-42615-00	6-12	682-44143-00	9-51
688-W0081-00	21- 1		22-14	619-15755-01	4-16	682-41210-00	3-46	6E7-42651-00	6- 5	682-44147-00	11- 7
6E7-W0090-00-EJ	1- 1	646-14212-01	3-43	6E7-15758-00-94	4-18	6E8-41213-00-94	13-21	6E7-42652-00	6- 7	682-44150-00	11- 6
6E7-W0090-20-EJ	1- 1	6E7-14227-00	3-53	6E7-15758-80-EJ	20-13	682-41219-00	3-50	6E7-42677-01	6- 3	682-44150-10	11- 6
677-W0093-00	3-66		22-11	6E7-15761-00	4-19	677-41226-00	3-49	6E7-42678-20	6- 4	682-44150-30	11- 6
	22- 1	6E7-14301-01	3-28	682-15770-00	4-32	682-41237-00	9-34	6E8-42678-20	6- 4	682-44176-00	11- 8
683-W4591-01-36	12-17	6E8-14301-01	3-28	6E7-15771-00-94	4-27		18-28	6G1-42683-00	6-13	663-44194-00	18-18
683-W4592-01-36	12-17	648-14321-00	22-10	6E7-15771-40-94	17- 5	682-41237-50	18-27	682-42711-02-EJ	7- 1	682-44300-01	11-10
6E7-11111-00-94	1-13	664-14321-00	3-44	648-15773-00	4- 3	682-41238-00	9-33	682-42716-00	9-23	682-44312-00	11-11
682-11181-01	1-14	648-14323-00	3-42	689-15779-01	4-17	682-41238-51	18-22	682-42724-50	17-27	682-44315-00	11-19
	22-15	647-14326-00	3-45	689-15789-00	4-22	682-41252-01	3-24	682-42725-01	7- 4		22-33
682-11325-00	1-11	677-14327-00	3-47	6Y1-24203-81-24	5- 1	661-41262-02	3-51	682-42726-00	7- 5		22-44
682-11351-02	1-34	6E7-14341-00	3-30	6Y1-24246-00	5- 2	682-41263-00	3-26	682-42727-00	7- 6	682-44321-40	11-62
	22-22	6E8-14341-00	3-30	6Y1-24255-80	5- 3	682-41267-00	3-25	682-42731-01-EJ	20- 9	682-44322-00	11-17
650-11370-00	1- 3	6E7-14342-28	3-29	6Y1-24257-00	5- 4	682-41271-00	3-22	6A1-42792-01	7-21		22-42
676-11372-00	1-25	6E7-14342-29	3-29	6Y1-24260-00	5- 6	682-41273-00	3-23	682-42815-00-EJ	7-12	682-44322-40	11-63
624-11379-00	1- 5	677-14343-52	3-38	6Y1-24268-00	5- 7	682-41291-00	3-48	6E7-42816-00	7-15	682-44323-00	11-20
682-11400-00	2- 1	677-14343-68	3-38	6G1-24304-00	5-19	682-41611-00	1-32	682-43111-00-EJ	8-19		22-45
682-11412-00	2- 2	677-14381-00	3-37	6Y1-24305-00	5-13	682-41612-01	1-30	682-43112-01-EJ	8-20	682-44323-40	11-64
682-11422-00	2- 3	677-14384-00	3-36	655-24305-01	5-11	682-41613-02	13-19	648-43114-01	8-24	682-44328-00	11-14
682-11432-00	2- 4		22- 7	6Y1-24306-02	5-10	682-41615-00	1-29	616-43118-00-EJ	8-21	682-44352-00	11-18
682-11442-00	2- 5	647-14385-00	3-34	6Y1-24329-00	5- 8	682-41616-00	13-26	626-43136-00	8-26		22-43
682-11445-00	2-24		22- 5	650-24351-00	5-18	682-41631-00-94	9-29	682-43160-01	8-34	682-44352-40	11-65
682-11515-01	2-12	626-14386-00	3-35	6Y1-24360-00	5-15	682-41631-50-94	18-14	656-43165-01	8-35	682-44361-00	12-10
682-11525-00	2-15		22- 6	650-24378-00	7- 2	682-41632-50-94	18-16	682-43181-02	8-57	682-44361-10	12-10
682-11610-00	2-18	626-14387-00	3-33	677-24411-02	3-56	682-41633-00-94	18-23	682-43311-02-EJ	8-11	682-44361-30	12-10
682-11610-10	2-18	626-14390-90	22- 3	682-24412-01	3-60	682-41661-00	9-31	682-43318-01	8-64	683-44362-01	11-21
682-11610-20	2-18	677-14390-12	3-31	677-24413-01	3-63	682-41666-00	9-46		8-84	626-44365-01	12-11
6E7-11631-00-97	2-17	1J2-14398-00	3-39	6A0-24421-00	3-57	682-42111-00-EJ	9- 1	682-43339-01	8-63		22-31
634-11633-00	2-19		22- 8	677-24434-01	3-55	682-42116-00	9-22	676-43373-00	8-17	682-44365-00	11-13
6E7-11635-00	2-17	655-14398-00	3-41	677-24435-01	3-61	664-42119-00	9-12	682-43611-00	8-54		22-40
6E7-11636-00	2-17		22- 9	677-24444-00	3-64	682-42123-01	9- 2	682-43614-00	8-48	683-44365-01	11-24
650-11651-03	2- 6	682-14416-00	3- 3	677-24471-01	3-62	656-42126-01	9-57	682-43615-01	8-49	6E7-44366-00	11-25
682-11681-00	2- 7	682-14417-02	3- 1	655-24521-01	5-25	6E8-42137-00	9-14	682-43616-00	8-43		22-34
6F5-12411-01	1-16	682-14418-01	3- 2	655-24560-01	5-22	682-42141-01-94	9-19	682-43617-00	8-47	682-44366-00	7-10
682-12413-00-94	1-18	682-14483-00	3- 4	6F5-24563-00	5-23	682-42142-01	9-21	682-43631-00	8-41		22-27
672-12414-00	22-16	650-14485-02	1- 4	655-24564-00	22-24	682-42151-01	9-24	682-43641-00	8-44	682-44367-00	7- 9
682-12414-00	1-19	6E7-15100-00-94	1- 2	682-24566-00	5-27	682-42152-01	9-28	682-43643-00	8-52		22-26
6E7-13588-00	3-11	682-15359-00-9M	2-25	6Y1-24610-00	5- 5	682-42171-01	9-25	682-43659-00	8-50	683-44373-00	11-22

NUMERICAL INDEX

PART NO.	REF. NO.	PART NO.	REF. NO.	PART NO.	REF. NO.	PART NO.	REF. NO.	PART NO.	REF. NO.	PART NO.	REF. NO.
682-44514-00-94	8-68	6E7-45587-00-05	11-37	701-48249-00	19-10	682-48538-50	18-10	688-82560-00	21-21	6E7-85560-A0	16- 3
682-44514-30-94	8-68	6E7-45587-00-08	11-37	701-48252-00	19- 3	6E7-81303-A0	13- 9	689-82570-13	17-36	695-85570-10	14- 9
682-44521-01	8-67	6E7-45587-00-12	11-37	701-48255-00	19-20		16- 9	689-82571-01	17-37	6E7-85580-70	13- 6
682-44522-00	8-74	6E7-45587-00-30	11-37	701-48261-00	19-37	6E7-81328-70	13-12	688-82574-00	17-39		16- 6
682-44532-00	10-14	6E7-45587-00-50	11-37	701-48261-10	19-37		16-12	6E0-82575-01	20- 4	682-86110-00	17-14
682-44551-01-EJ	8-76	683-45611-00	11-48	701-48266-00	19-29	682-81332-02	14-13	6E9-82575-00	7-19	682-86112-00	17-15
682-44552-01-EJ	8-77	6E7-45616-00	12-18	701-48268-00	19-17	682-81800-11	15- 1	688-82575-01	17-40	648-86115-40	17-16
682-44555-00	8-83	682-45631-00	11-43	701-48271-00	19-34	682-81809-10	15- 3	689-82575-12	20- 1	682-86116-00	17-18
682-44555-30	8-83	648-45633-00	11-45	701-48271-10	19-34	682-81810-11	15- 5	6E7-82580-11	17-24	682-86117-00	17-19
682-44557-00	8-82	650-45635-00	11-46	701-48280-00	19-46	682-81811-10	15- 9	663-82581-01	17-42	90101-06M29	8-31
682-45111-02-EJ	10- 1	683-45941-00-36	12-16	701-48281-10	19-15	682-81812-10	15-10	688-82586-11	17-51	90101-08M30	8-65
682-45111-12-EJ	10- 1	683-45943-00-36	12-16	701-48282-00	19-27	682-81813-10	15- 8	688-82586-21	17-35	90101-10M57	8-25
682-45113-01	22-29	683-45945-00-36	12-16	701-48283-00	19-41	682-81820-10	15- 6	6E7-82590-11	17-26	90102-08M01	8-37
682-45113-02	10- 2	683-45947-00-36	12-16	701-48287-00	19-44	682-81822-42-94	15-16	682-82594-01	17-34	90105-06M01	10- 9
	22-23	683-45949-00-36	12-16	702-48288-00	19-22	682-81826-10	15-13	689-82594-10	17-28	90105-07M05	1-15
663-45119-00	8-13	683-45952-00-36	12-16	701-48289-00	19-16	682-81830-10	15-12	701-82594-00	19-42	90109-06M03	8-59
682-45126-00-9M	10- 6	683-45987-01	12-12	701-48291-00	19-43	682-81832-10	15-11	688-83510-01	21- 2	90109-06M04	4-34
682-45127-00	10- 7	701-48101-10	18- 1	701-48310-10	18- 7	682-81833-10	15- 4	688-83514-00	21- 6		9-47
682-45158-00-EJ	10-21		19-46	701-48310-20	18- 7	682-81840-10	15- 7	688-83516-00	21- 3	90109-06M05	8-58
682-45211-30-EJ	10-15	701-48102-10	18- 5	701-48310-40	18- 7	682-81850-10	15- 2		21-12	90109-08M01	9-10
683-45214-01	12- 2		19-46	701-48310-60	18- 7	663-81910-10	20- 8	688-83523-00	21- 5	90113-05M00	13-24
683-45251-00	12- 4	701-48110-22	18- 2	701-48310-80	18- 7	6E7-81916-00	14- 5		21-14	90113-06M01	18-17
6E7-45300-00-EJ	11- 1		19-46	701-48310-90	18- 7	6G1-81941-10	17- 1	688-83536-00	21- 4	90116-06M04	3-18
6E7-45300-10-EJ	11- 1	701-48110-31	18- 3	701-48320-00	18- 7	6E7-81945-00	17- 3		21-13	90116-06130	3-19
6E7-45311-00-EJ	11- 2	701-48110-80	18- 4	701-48320-20	18- 7	6G1-81952-00	17- 2	688-83540-00	21-11	90119-06M13	1-10
683-45315-00	11-32	701-48120-31	18- 6	701-48320-30	18- 7	664-81970-60	17- 6	688-83544-00	21-15	90119-08M17	1- 9
	22-36	701-48126-00	19-40	701-48320-40	18- 7	6E7-82105-10	17-25	689-83553-20	21-19	90147-03M01	3-58
626-45316-09	11-29	701-48152-11	19-12	701-48320-50	18- 7	6E7-82117-00	17-49	688-83556-01	21- 7	90149-14030	8-23
6E7-45331-00-9M	11-28	701-48152-20	19-12	701-48320-60	18- 7	682-82150-10	17- 9	689-84340-00	20- 7	90159-05038	13- 8
682-45344-00	11-66	701-48153-12	19-33	701-48320-70	18- 7	663-82151-00	17-10	682-84380-00	20-14		16- 8
683-45361-00-EJ	11-54	701-48189-11	19-31	701-48320-80	18- 7	6E7-82317-00	14- 2	682-84381-00	7- 3	90159-05039	13- 7
682-45375-01	12- 1	701-48196-11	19- 6	701-48320-90	18- 7	6E3-82370-20	14-12		20-15		13-10
682-45376-01	11- 5	701-48197-10	19- 2	682-48330-50	18-36	663-82370-01	14-12	682-84382-00	20-16		16- 7
6E7-45501-00	11-26	701-48198-10	19-14	617-48331-90	18-38	682-82510-11	17-38	682-84387-00	20-17		16-10
6E7-45501-10	11-26	701-48213-00	19-18	682-48340-50	18-30	688-82520-00	21-20	6E7-85500-A0	16- 1	90161-06M00	17-30
6E7-45501-30	11-26	701-48221-00	19- 5	682-48344-50	18-31	676-82529-60	21-18	6E7-85500-F0	13- 1	90170-06015	9-53
6E7-45536-00	11-35	701-48222-00	19-26	701-48345-30	19-36	689-82540-01	17-11	6E7-85509-70	13- 4	90170-12066	13-17
6E7-45551-00	11-38	701-48229-00	19-25	682-48346-50	18-37	663-82541-09	21-17		16- 4	90171-08M00	8-38
6E7-45560-00	11-42	701-48232-00	19-30	701-48350-00	18- 7	6A0-82550-01	7-18	663-85518-00	9-30	90171-10M01	12-14
664-45567-00-05	11-41	701-48234-00	19- 4	701-48350-10	18- 7	701-82550-50	19-39		13-11	90179-08M06	11-39
664-45567-00-08	11-41	701-48235-00	19- 1	701-48350-20	18- 7	676-82553-60	21-16		16-11	90185-06062	9-60
664-45567-00-12	11-41	701-48236-00	19- 7	701-48358-00	19-38	689-82553-10	20- 6	6E7-85520-70	13- 5	90185-08M00	8-73
664-45567-00-30	11-41	702-48237-00	19- 8	617-48361-90	18-32	689-82553-20	20- 3		16- 5	90185-10051	18-46
664-45567-00-50	11-41	702-48238-00	19- 9	682-48501-01	18- 8	682-82554-00	17-12	695-85540-10	14- 6	90201-06060	4- 9
6E7-45571-00	11-51	701-48239-00	19-28	682-48501-11	18- 8	682-82556-00	7-20	6E7-85542-00-94	14- 1	90201-06068	7-16
626-45577-00-01	11-50	701-48243-00	19-13	700-48510-12	18-42		17-41	6E7-85550-A0	16- 2	90201-08M12	8-66
626-45577-00-03	11-50	701-48246-00	19-23	676-48511-10	18-43		20- 2	6E7-85550-70	13- 2	90201-08M13	8-72
626-45577-00-05	11-50	701-48248-00	19-11	682-48531-51	18- 9		20- 5	6E7-85560-A0	13- 3	90201-10M14	12-13

NUMERICAL INDEX

PART NO.	REF. NO.	PART NO.	REF. NO.	PART NO.	REF. NO.	PART NO.	REF. NO.	PART NO.	REF. NO.	PART NO.	REF. NO.
90201-10M15	12-19	90467-06016	1- 7	92903-06600	1-21	93101-20M10	2-27	95303-08700	5-26	97395-06016	2-29
90201-12181	9- 8	90467-08004	5-31		3-13		22-20	95380-05700	13-25		12- 5
90201-12472	13-18	90468-10005	3-27		3-16	93101-20048	11-31		18-29		18-12
90201-14377	2-21	90480-10155	17-17		3-21		22-35	95380-06600	19-45	97395-06018	19-21
90201-17682	11-49	90480-17165	17-50		4-21	93110-23M00	2-23	95380-06700	8-33	97395-06020	9-58
90201-21567	1-17	90480-25161	14-15		4-25		22-18		8-60		10-12
90202-10024	18-21	90501-10071	18-39		4-29	93210-03261	17-20		9-52		11-55
90202-12031	9- 3	90501-10227	4-31		5-21	93210-08287	5-12		10-24	97395-06025	1-27
90202-13M02	8-71	90501-10264	18-33		6-11		5-14		18-19		8- 3
90206-10M04	8-62	90501-14M06	11-47		7- 8	93210-37M25	5-24	95380-08700	8-81		8-69
90206-12M06	9- 4	90501-18M00	8-15		13-16		22-25	95380-10700	8-29	97395-06040	10-22
90206-12052	7-14	90501-23215	9-18		14- 4	93210-40M10	8- 9	97313-05010	13-22		11-15
90209-20159	2- 9	90504-59006	8-27		14-11	93210-53M08	2-26	97313-06010	5-28		22-41
90209-52M01	8- 6	90506-26M01	8-56		15-20		22-19		7-17	97395-08040	10- 4
90243-04001	8-22	90506-26M07	8-56		17-33	93210-57M09	11-53	97313-06012	3-12	97395-08055	8-79
90249-06117	8-45	90508-12M03	8-42	92903-08600	15-15		22-37		9-42	97395-08085	8-78
90250-05010	11-44	90508-16M04	20-12	92903-10600	9-17	93304-205U0	2-14		13-15	97780-40112	11-12
90266-04M00	6- 6	90510-08M04	4- 5	92990-05600	9-55	93306-00501	11-52		17-13	97780-40116	21- 9
90266-04004	6- 8	90601-31402	21- 8	92990-06200	11-16	93306-20514	2-10	97313-06014	14-14	97780-50510	11- 9
90269-02001	9-15	90890-44373	4-15	92990-06300	19-24	93306-304U0	2-16		17- 4	97780-50512	20-18
90280-03024	11-27	91490-16010	9-56	92990-06600	1-28	93310-620V5	2- 8	97313-06016	3-15	97780-50514	3- 6
	22-46	91490-20010	9-49		2-30	93315-314V0	11-34		4-20	97780-50525	12- 3
90280-05013	13-28	91490-20015	8-40		8- 4	93315-317U2	11-57		6-10	97802-04006	13-13
90340-08014	11- 3	91490-25020	9-39		8-32	93332-00005	11-40		9-26		16-13
90380-13M02	10-19		9-44		8-61	93341-214U1	11-36		17-32	97803-04005	3-40
90386-06M06	9- 9	91490-30020	12-15		8-70	93420-30042	10-20	97313-06020	1-20	97803-05008	13-20
90386-08032	9-20	91609-20008	2-13		9- 7	93430-05027	8-46		4-10	97803-05012	17-23
90386-10009	18-15	91690-30008	8-36		9-59		8-55		4-24	97803-05025	17- 7
90386-10025	20-10	91690-30012	18-11		10-13	93430-06M02	4-14		4-28	97803-06010	1-31
90386-10045	20-11		18-35		10-23	93430-06024	19-35		5-20		9-32
90386-12M07	9- 5		18-41		11-56	93440-57M01	2-11		7- 7	97890-05030	3- 5
90386-12069	7-13	91690-40016	4- 4		12- 6	93450-15023	2-22		14- 3	98303-04008	17-43
90386-40M08	8-10	91690-40018	18-20		18-13	93602-14104	2-20		15-18	98503-04005	17-21
90386-40M09	8- 8	91690-40020	4- 7	92990-08600	8-16	93604-08062	11-33		18-24	98503-04008	3-54
90387-06M02	18-25	91790-05020	9-54		8-39	93606-12019	1- 8	97313-06025	15-17	98580-05010	19-32
90387-06M10	8-53	91830-21014	4-26		8-80		7-11	97313-06030	14- 7	98586-05016	5- 9
90387-06M28	8-30	92780-06025	19-19		9-11		8- 2		14-10	98680-05025	9-16
90387-06298	18-26	92901-04100	17-22		10- 5		10- 3		15-19	98780-05016	1-12
90430-08020	11- 4		17-44		10-18		10-16	97313-06035	4-23	98813-03100	3-59
	22-32	92903-04100	3-65		12- 9		11-30	97313-08025	15-14	98903-05025	17-45
90445-07M08	1- 6	92903-05100	17-47		18-34		12- 7	97315-06025	9- 6		
90445-09086	5-29	92903-05600	3- 7		18-40	93700-06004	8-12	97375-08025	8-18		
90445-09095	1-26		9-50	92990-10600	8-28	94701-00217	1-33	97375-08035	10-17		
90445-09097	5-30		13-23		18-45	94702-00271	1-33		12- 8		
90445-11M78	5-17		17- 8	93101-13M11	2-28	95303-05600	17-46	97375-10040	18-44		
90445-11M80	5-16		17-48		22-21	95303-05700	9-35	97390-05010	13-27		
90460-42M01	8-75	92903-06200	9-27	93101-17054	11-58	95303-06600	4-11	97395-06008	8-85		
90464-08M03	17-31		14- 8		22-38	95303-06700	3-20	97395-06010	11-23		