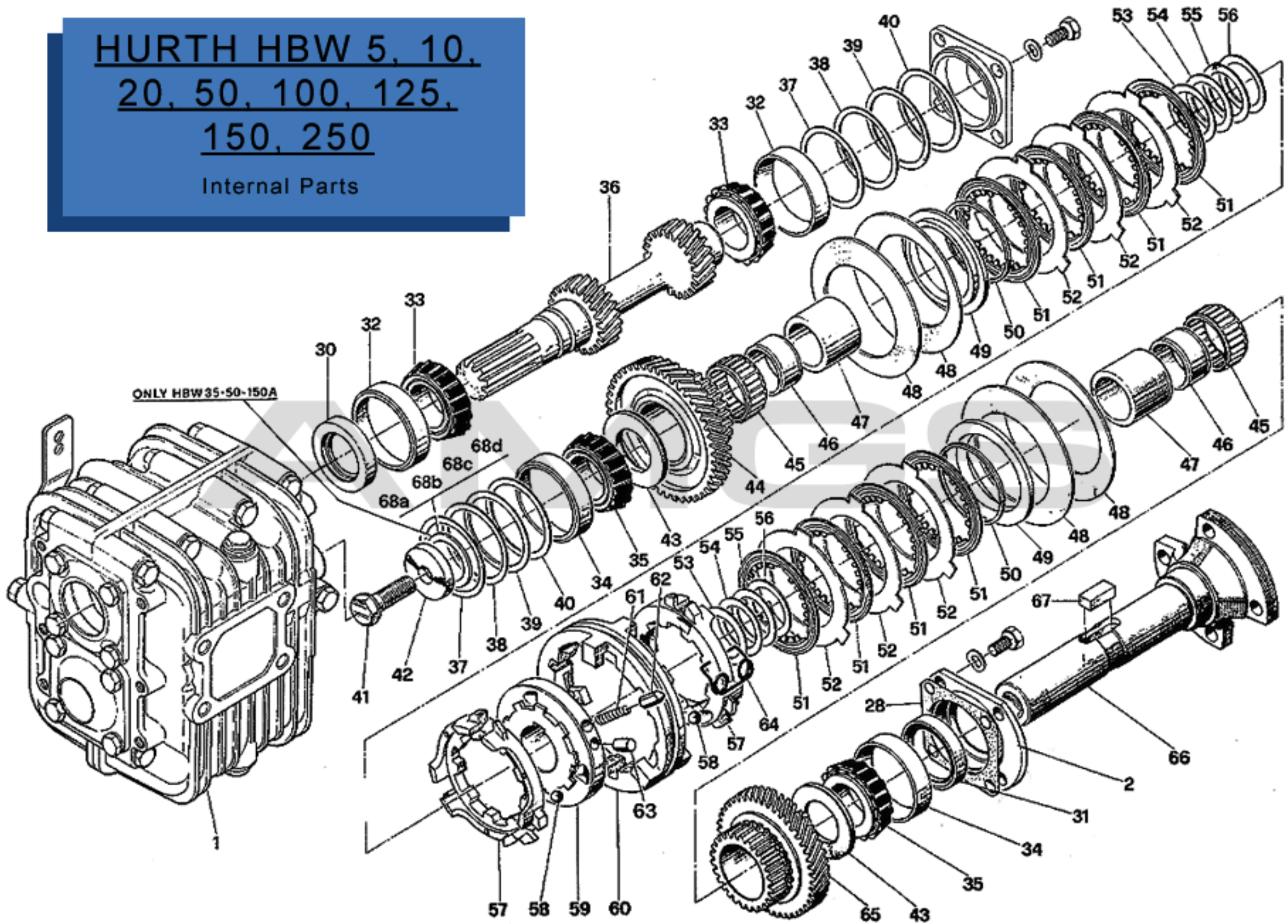


HURTH HBW 5, 10,
20, 50, 100, 125,
150, 250

Internal Parts



HURTH HBW 150V

Internal Parts

