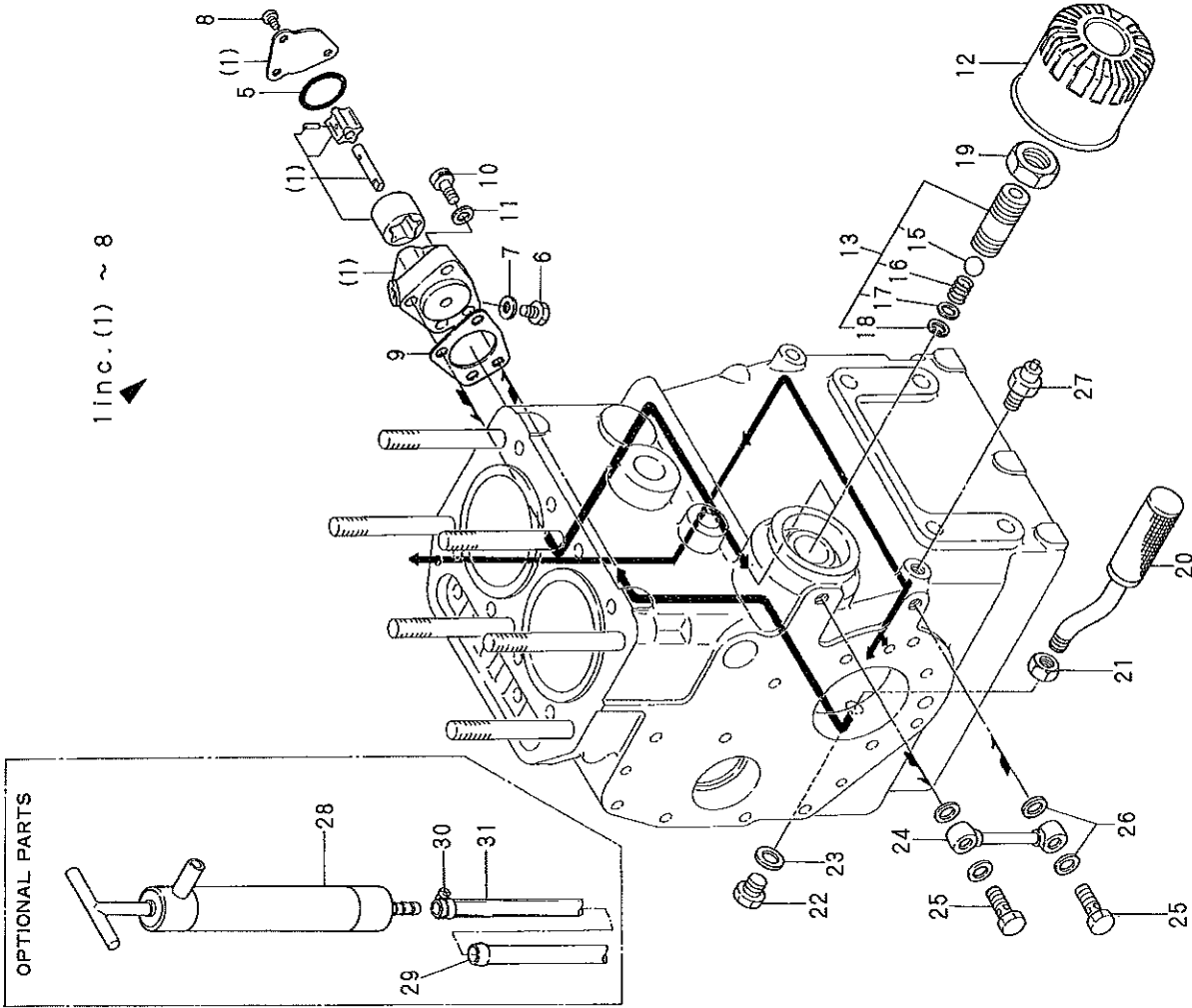


Fig.8.LUB.OIL SYSTEM

8.LUB.OIL SYSTEM

(A)=2QM15  
(B)=  
(C)=  
(D)=  
(E)=  
(F)=

REF.	LEV.	PARTS NO.	DESCRIPTION	(A)	(B)	(C)	(D)	(E)	(F)
1		724070-32700	PUMP ASSY, LUB. OIL	1					
5	2	103338-32570	O-RING	1					
6	2	124060-32990	PLUG	2					
7	2	23414-08000	GASKET 8, ROUND	2					
8	2	26116-060142	BOLT M 6X 14	3					
9	1	124060-32091	GASKET	1					
9-1	1	124060-32092	GASKET	1					N
		(A=EXXX)							
10	1	26450-090252	BOLT M 8X 25	2					
11	1	124060-32130	WASHER	2					
12	1	124450-35100	FILTER, LUB. OIL	1					
13	1	124450-35301	VALVE ASSY, CONTROL	1					
15	2	24190-100001	BALL 5/16, STEEL	1					
16	2	124450-35320	SPRING	1					
17	2	124450-35330	RETAINER	1					
18	2	22252-000100	CIRCLIP 10	1					
19	1	124450-35350	NUT	1					
20	1	124772-35060	PIPE OIL INLET	1					
21	1	124450-35070	NUT PF1/4	1					
22	1	23893-020002	PLUG PF1/4	1					
22-1	1	121450-01960	PLUG PF1/4	1					N
		(A=EXXX)							
23	1	23414-120000	GASKET 12, ROUND	1					
24	1	124060-39200	PIPE, LUB OIL	1					
25	1	124450-39140	BOLT, PIPE JOINT	2					
26	1	23414-120000	GASKET 12, ROUND	4					
27	1	124060-39451	SENDER, OIL PRESSURE	1					
28	1	104264-39700	PUMP ASSY, WASTE	1					
29	1	104264-39710	PIPE, DRAIN	1					
30	1	23010-012000	CLAMP 12	1					
31	1	23061-081000	PIPE 8X1000	1					



Remarks  
(1)OPTIONAL