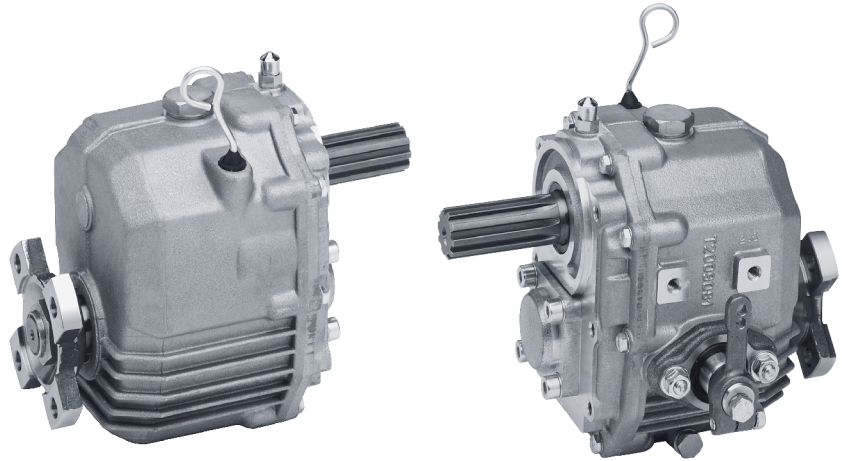


Maximum 26 kW (35 hp) @2800 RPM (PLEASURE CRAFT)

STANDARD EQUIPMENT

MG-340

- Vertical offset, aluminum housing
- Mechanically operated conical clutches
- Mechanical control valve



INPUT RATINGS - KILOWATS (KW) (HORSEPOWER (HP))*

For service classification definitions and important notes refer to www.twindisc.com, the Twin Disc Marine Product Guide or contact Twin Disc directly.

Reduction Ratios		Pleasure Craft		Intermediate Duty		Continuous Duty	
Forward	Reverse	@ 2800 RPM	@ 3600 RPM	@ 2500 RPM	@ 3200 RPM	@ 2300 RPM	@ 2500 RPM
1.45:1	2.13:1	26 kW (35 hp)	26 kW (35 hp)	26 kW (35 hp)	26 kW (35 hp)	23 kW (31 hp)	25 kW (34 hp)
2.00:1	2.13:1			20 kW (27 hp)	23 kW (31 hp)	16 kW (21 hp)	18 kW (24 hp)
2.60:1	2.13:1	21 kW (28 hp)	25 kW (34 hp)	15 kW (20 hp)	18 kW (24 hp)	12 kW (16 hp)	13 kW (17 hp)

* Ratings shown for use with standard right-hand rotation engines.
The maximum allowable rated engine speed is 4500 rpm.

Note: Maximum power in reverse is 33% of listed ratings



Specifications subject to change without prior notice in the interest of continual product improvement.
Contact your local Twin Disc representative for engineering specifications, Survey Society Approvals and Classifications.

Scan QR code to see Twin Disc's entire Marine product line.



OPTIONS

Borg Warner housing

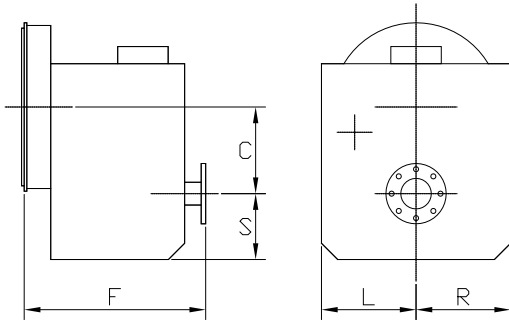
SAE J617 housing no. 5

Spring damper plate

Control cable bracket

Dry weight with standard equipment: **9 kg**

MG-340



C	68 mm (2.66")
S	63 mm (2.46")
F	182 mm (7.17")
L	-
R	75 mm (2.95")

For nearly a century, we've been making boats perform better and more reliably. From system-design consultation to application development to in-service support, Twin Disc provides fully integrated propulsion solutions that will optimize your craft's performance, reliability and safety over the years. Bring Twin Disc aboard early in the development process, and you'll enjoy a lifetime of enhanced operating value.

TRANSMISSIONS • ELECTRONIC CONTROLS • EXPRESS JOYSTICK SYSTEM® • SAILDRIVES • EXPRESS POSITIONING® • ARNESON SURFACE DRIVES • MARINE CONTROL DRIVES • ROLLA PROPELLERS • BOW & STERN THRUSTERS • STEERING SYSTEMS • RUDDERS • TRIM TABS



Twin Disc, Incorporated
Racine, Wisconsin 53403 USA
Phone +1-262-638-4000
Fax +1-262-638-4482
www.twindisc.com

Twin Disc, Incorporated reminds users of these products that their safe operation depends on use in compliance with engineering information provided in our catalog. Users are also reminded that safe operation depends on proper installation, operation and routine maintenance and inspection under prevailing conditions. It is the responsibility of users (and not Twin Disc, Incorporated) to provide and install guards or safety devices which may be required by recognized safety standards or by the Occupational Safety and Health Act of 1970 and its subsequent provisions.

United States of America • Australia • Belgium • Canada • China • India • Italy • Singapore • Switzerland

TD-Bulletin-MG-340
© 2016, Twin Disc, Incorporated
Printed in the USA - 1/2016