



Owners Handbook

Taylor's Diesel Cabin Heater

Model 079D

1. INTRODUCTION

Congratulations on your purchase of a Taylor's Cabin Heater.

Taylor's Cabin Heaters are firm favourites with sailors throughout the world, providing their owners with a long and trouble free working life.

The Taylor's Diesel Cabin Heater is simple to operate. After preheating, fuel is fed into the heater. The rate at which the fuel is fed into the burner pot determines the heat output. Within this handbook, you will find information and practical help on installing, running and maintaining your Cabin Heater.

If you require any further help or advice, please contact us either by email: bltsales@blakes-lavac-taylors.co.uk or by writing to: Seasure Ltd, Clock Tower Works, Shore Road, Warsash, SO31 9GQ

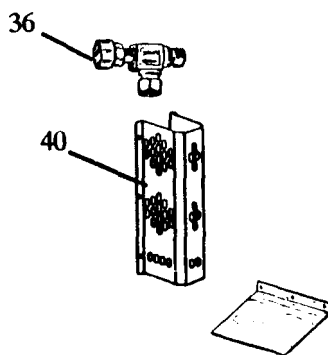
NOTE: please remember Diesel is a light heavy oil and will burn slightly more yellow than blue.

PRODUCT IMPROVEMENTS (MAR 1994).

All the following product improvements are available in current specifications - but older models can easily be upgraded.

The 079D can be run from the main diesel tank on the Boat - see section 6.4 for details (when ordering new heaters just ask for a pumped version of the 079D in brass (079DBP) or stainless steel finish (079DSP)).

- The drip feed has been upgraded. It now features a much "finer" drip feed control (36), adjustable to suit each individual installation (spares code for easily retro-fitted update kit is *HTD5254).
- Taylors have now made available an attractive flue guard in stainless steel or brass (40)



Heat Reflector Plate can be fitted.

2. INSTALLATION KIT PROVIDED WITH YOUR HEATER

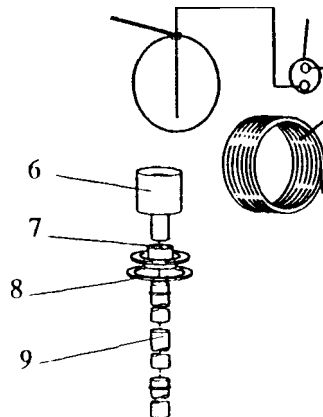
Taylors Diesel Cabin Heaters are provided with the following parts for installation and subsequent operation:

- 1 1/2 Gallon Gravity tank and securing straps

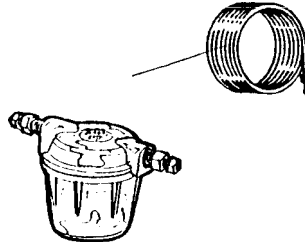


ALTERNATIVELY, for Main Fuel tank Pumped Systems

- 12V DC SU pump (39a) (24V DC conversion resistor (39b) always included), with main fuel tank standpipe 41 assembly (39c) and extra 5m of Copper fuel pipe (41).



- 3 lengths of Stainless Steel flue pipe each of 18" (457mm) in length and 56mm width. Note: Ideally, 3 lengths should be fitted for clean burning i.e. 51" (1295mm) after interlocking. In practice, the length can be reduced to an absolute minimum of 30" (it is possible to put further lengths above deck, which if done, must be insulated).
- Through Deck-fitting, gasket and cowl (6,7,8,9)

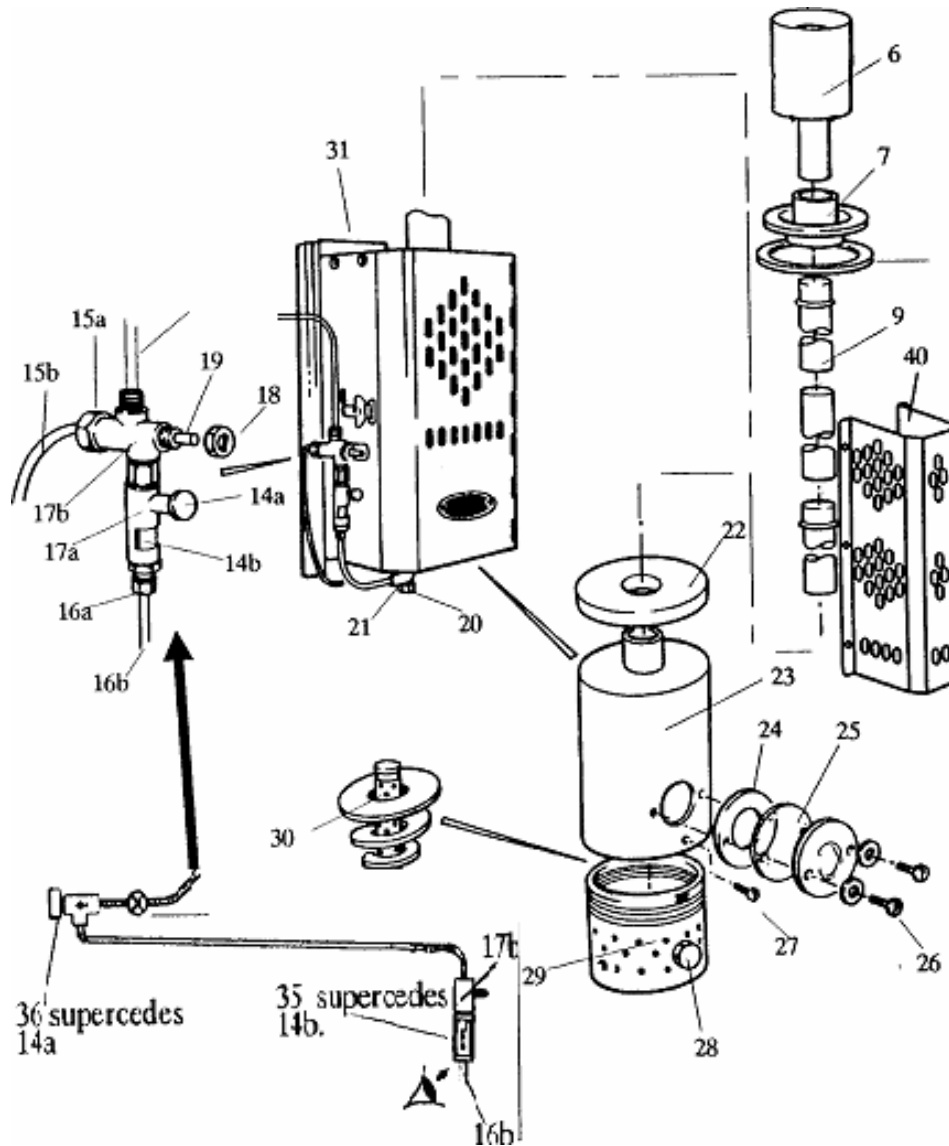


- 3 metres of Copper fuel pipe and compression fittings (10)
- Safety On-off fuel control valve (12)
- In-line fuel filter (11)
- Methylated Spirits dispenser (13)

Because the nature of an installation varies from owner to owner, certain components are easier to source locally. We therefore feel it is best for you to purchase the following separately, depending on your requirements

- Mill board with Stainless Steel cladding or ceramic tiles if extra insulation between heater and bulkhead is required
- 4 x 6mm (1/4") diameter Stainless Steel securing bolts or screws for deck fitting (length may vary according to deck thickness and possible cambering)
- 4 x 6mm (1/4") diameter Stainless Steel securing bolts or screws for fixing tank straps.

3. EXPLODED DIAGRAM



4. SPARE PART REFERENCE NUMBERS

Handbook Code	Spares Code	Description
1	CTK3560	Tank Brackets
2	ETD3570	TOP CAP FOR DIESEL TANK
3	ETD3515	PUMP FILL CAP 'O' RING
4a	ETD3550	SIGHT GAUGE TUBE
4b	CTK2855	BRASS COUPLING NUT 3/16" FOR COPPER FUEL LINE
5	*HTD0301	1 1/2 GALLON S/S DIESEL TANK

6	HTD518d	DECK COWL
7	HTD5245	THROUGH DECK FITTING
8	HTD5030	DECK FITTING GASKET
9	NTD5395	FLUE PIPE
10	•HTD5171	COPPER FUEL PIPE WITH COUPLING 079K, 079D
11	CTK1185	IN - LINE FUEL FILTER
12	CTK1155	ON - OFF CONTROL VALVE
13	CTK1175	METHYLATED SPIRITS DISPENSER
14a	SEE 17a	CONTROL KNOB - DRIP FEED - SUPERCEDED BY 36
14b	SEE 17s	SIGHT GLASS - SUPERCEDED BY 35
15a	SEE 17b	THERMOCOUPLE (15b) SECURING NUT
15b	CTG1375	PROBE/THERMOCOUPLE FOR SAFETY SHUT OFF VALVE 17b
16a	SEE 35	FUEL FEED (16b) SECURING NUT
16b	•HTD5232	FUEL FEED PIPE TO BURNER + COPPER 8 BRASS OLIVE
	CTK1150	3/1d' COPPER OLIVE FOR FUEL LINE INTO 5 AND 29
	HTD5240	3/1 e' BRASS OLIVE FOR NUT 16a
17a	HTD5255	DRIP FEED UNIT - SUPERCEDED BY 35 8 30
17b	HTD5280	MAGNETIC CONTROL VALVE
18	HTD5275	NUT SECURING ASSEMBLY (17b,35) TO RETAINING BRACKET
19	SEE 17b	OVER-RIDE KNOB - FAIL SAFE MECHANISM (17b)
20	HTD5825	1/8' BLANKING NUT FOR BURNER POT FUEL ENTRY
21	CTK2405	EQUAL 3/18' FUEL LINE T CONNECTOR
22	•HTD5111	LID INSULATION
23	HTD530d	BURNER CASE
24(x2),26	•HTD5331	INSPECTION WINDOW FRAME
	HTD5208	INSPECTION WINDOW INSULATION (OPTIONAL ITEM)
25	HTD5205	INSPECTION WINDOW MICA
28	HTD5220	LIGHTING APERTURE CAP NUT
29,28,20,21,27	•HTD5371	BURNER POT
30	•HTD5381	BURNER POT STOOL COMPLETE (MODIFIED TYPE)
31		INSULATED MOUNTING PLATE
32	HTD5291	i/2 METRE FLEXIBLE FLUE BEND COMPLETE WITH CLIPS
33	HTD5285	RUBBER FLUE CAP
34	HTD5405	H-COWL - TO REDUCE DOWNDRAUGHT IN FLUE
35	HTD5250	SIGHT GLASS ONLY - SUPERCEDES 14b
36	•HTD5251	METERING VALVE (FINE TAPER) - SUPERCEDES 14a
10,36	•HTD5254	DRIP FEED UPDATE INSTALLATION KIT
37	HTD5252	3/1 t' TO 1/4' ADAPTOR AND OLIVE
39a	•ETD3a05	12V DC FUEL PUMP
39b	ETn3eo9	RESISTOR TO CONVERT 39a FOR 24V DC SUPPLY
39c	WS353/205	STANDPIPE ASSEMBLY FOR MAIN DIESEL FUEL TANK
39d	ETD3808	FUEL PUMP (39a) FIXING CLIP
39a-d,41	•ETD380E	MAIN FUEL TANK PUMP UPGRADE KIT + SPARE OLIVES
40	HTD5385	FLUE GUARD - BRASS
	HTD5390	FLUE GUARD - STAINLESS STEEL
41		3/18' COPPER FUEL LINE - 5 METRES

5. ON-BOARD SPARES KITS AND ACCESSORIES

A complete range of spare parts and on-board spares kits for the Taylor's Diesel Cabin Heaters are available. Reference numbers for the item numbers on the exploded diagram are detailed in Section 4.

Blakes-Lavac-Taylors, the manufacturers of Taylor's Cabin Heaters, supply spare parts and kits only through the marine trade (chandlers and boat builders). Overseas, spare parts and kits are supplied through appointed agents. If you require spare parts, on-board spares kits or help in locating a local chandler or agent, wherever you are in the world, please contact us or refer to our website. www.blakes-lavac-taylors.co.uk Our address and telephone number can be found on the back of this leaflet.

The on-board spares kits for Taylor's Diesel Cabin Heaters provide the ideal combination of spare parts to help you maintain your Cabin Heater whether ashore or cruising at sea.

Normal And Extended Cruising Spares Kits

Spare Parts		Kit: Normal Cruising	Kit: Extended Cruising
Description	Reference Numbers	*HTDNORM	*HTDEXTD
Pump fill cap 'O' ring (3)	ETD3515	1	1
Inspection Window mica (25)	HTD5205	1	1
Magnetic control valve (17b)	HTD5260		1
Rubber flue cap (33)	HTD5265	1	1
Fuel feed (16b) incl. Olives	*HTD5232		1
Thermocouple	CTG1375	1	1

Optional Extras

Description	Reference Numbers
Flexible bend for flue pipe (32)	HTD5291
Flue guard - Brass (40)	HTD5385
Flue guard - Stainless steel (40)	HTD5390
"H" Cowl (34)	HTD5405

6. INSTALLING YOUR HEATER

6.1. CHOOSING THE POSITION

The heater has been designed to be mounted on a vertical bulkhead and it is recommended that it be situated with the base at an approximate height of NOT LESS THAN 225mm (9") from the floor. Although the heater mounting plate (31) is insulated, it is suggested that the heater is set on a reflective or insulated surface. The surface should have a margin of at least 150mm (6") around all four sides of the heater mounting plate. Suitable materials would be 1/8" mill board insulation with a stainless steel cladding or ceramic tiles.

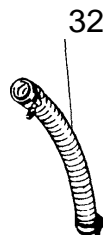
- **DO NOT mount the heater over a combustible surface because spillage would be damaging and could present a fire hazard.**

6.2. CONSTRUCTING THE FLUE

Ideally, 3 flue lengths (9) should be fitted for clean burning i.e. 51" (1295mm) after interlocking flue sections each of 457mm (18"). In practice, the length can be reduced to an absolute minimum of 30". If this length cannot be fitted inside the cabin, it will be necessary to fit additional flue sections outside the cabin when the heater is in use. To maintain an adequate draught for clean combustion, any flue lengths outside the cabin should be insulated. A simple method of insulation is to bind the flue with thin heat resistant cord.

It is highly desirable for the flue to be vertical and straight to ensure a sufficient draught for clean and efficient combustion. The flue outlet must be clear of obstructions and located in an area that has an undisturbed air flow and no down draughts from sails, masts, deck structures etc. If absolutely necessary, the flue can be fitted with a flexible section (32). The maximum angle of bend in the flexible section is 45°.

A 108mm (4 1/2 ") diameter hole is required through the deck to receive the deck fitting. The fitting is supplied undrilled and suggested fastenings (not supplied) are 4 x 6mm (1/4") diameter stainless steel bolts.



An insulating gasket (8) is provided for insulation between the deck fitting and the deck. Deck camber can be accommodated by fitting timber pads or by using a low density peroxide resin filler to give a flat area on which to position the deck fitting.

To ensure a watertight joint, a bead of silicone sealer should be put around the outer edge of the deck fitting (7) and also around the fastenings.

6.3. SITING THE FUEL TANK (gravity feed systems)

The basic 079d heater installation utilises a gravity fed fuel supply. The 1 gallon Stainless Steel fuel tank (5) and 1/2" V16" copper fuel pipe (10) should be sited above the heater so that a head of fuel of at least 1220mm (4') is present above the heater drip feed assembly. Note: if space is tight, installations where only 600mm (2') is available are still feasible. If this is still not possible then siting the tank in a locker on deck should be considered or alternatively, pressure can be introduced with a special tank cap (2) with integral car tyre valve (available on request from the factory). Essentially, a slight pressure of 0.4 psi per foot of lost head is required. This is easily introduced by a few strokes on a bicycle pump. The tank is supplied with 2 straps (1) for mounting the tank on a bulkhead or locker floor.

6.4. PUMPING FROM THE MAIN DIESEL TANK

6.4.1 TAYLOR'S NEW 079D "POWER PUMP" DIESEL HEATER – FEATURES

An electric pump version of the extremely successful gravity fed Taylor's 079D diesel heater is available. This system will work with a 12V DC or 24V DC supply and is available also as a retrofit kit (spares code *ETD3606).

The 079D heater has always been popular because of the safety feature offered by its unique drip feed system. When there is any danger of heeling a "drip feed system" is far less susceptible to heeling than carburettor systems where the "float level control" can flood the heater if the boat heels badly. The option to pump straight from the main diesel tank on the boat using only a minute current draw - 0.01 Amp/hr to be precise - is obviously very attractive. This alternative installation has been tested for many years now by customers to pump fuel directly from the boat's main fuel tank to either one or two 079D heaters.

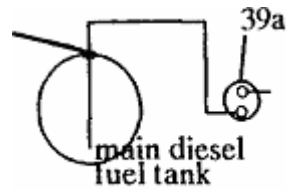
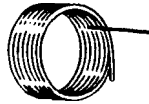
The 12V DC diaphragm pump provided is not only very robust but it as shown in the example below, with two heaters; it uses a minute amount of electricity:

Example. The capacity of the pump is 32 litres an hour. Pumping to two 079D heaters requires (at maximum heat) about 0.4 litres an hour. This equates to running the pump at just over 1% of capacity. The pump operates against a spring so it provides a constant pressure but only uses current when it pulses. In practice a flow of 0.4 litres, an hour is around three pulses a minute. With an induction coil current of 3.5 Amps over a pulse period of 85 milliseconds, this rates it at **only 0.01 Amp/hr!**

Key points:

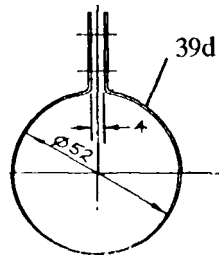
- Works with a 12V DC or 24V DC supply - see section 6.4.4.
- Power consumption is very small, (0.01 amp hours), since the pump is only operating at a few pulses per minute.
- The heaters can be sited up to 22 metres from the tank (with the pump only working at 1% capacity, greater distances are no doubt possible).
- The pump will cope with up to 1.8m delivery head (adequate for just about any installation).

- All pipe work is metal; there are no flexible, rubber or plastic hoses.
- No separate gravity feed day tank required
- Smooth drip feed rate even at long delivery distances

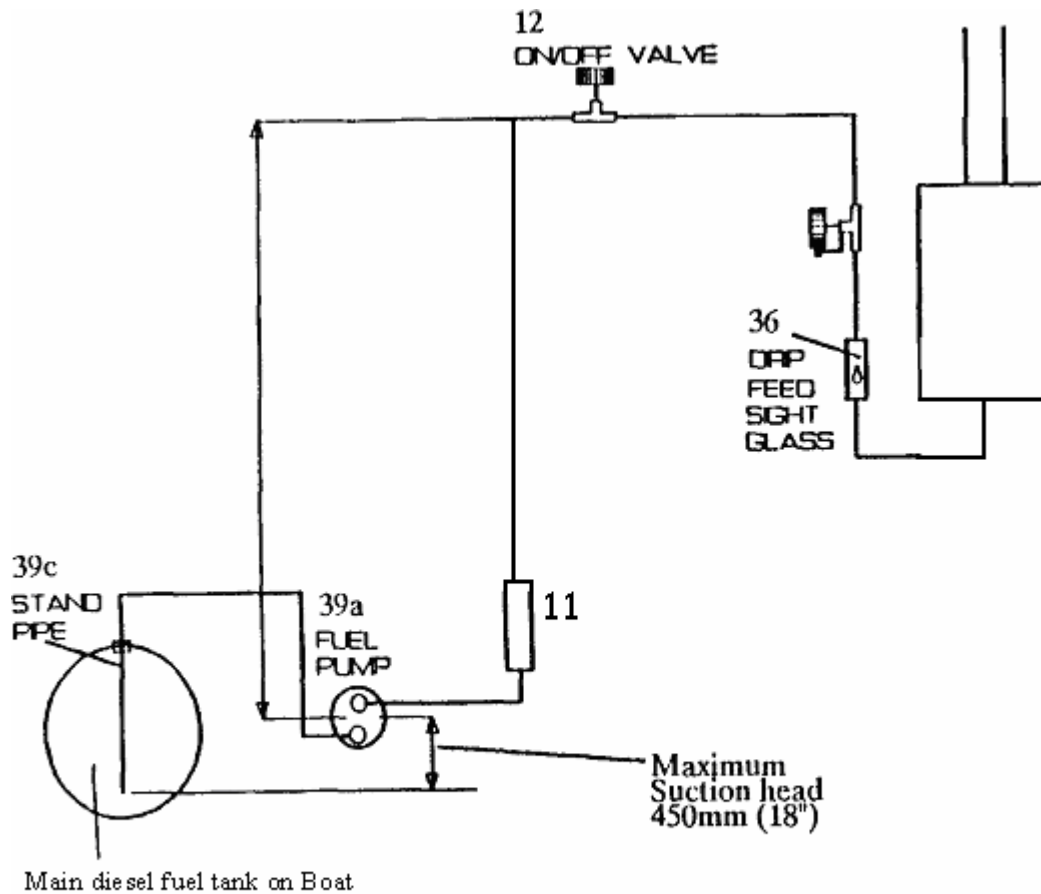


6.4.2 INSTALLATION KIT ITEMS

- 12V DC S.U. pump assembly (39a) with conversion resistor (39b) for 24V DC supply and fixing clip (39d).
- Stand pipe assembly (39c)
- 5-metre length of 3/16" Copper fuel pipe (41- Note: this item is extra to copper fuel line complete with coupling (10) - see section 6.5).



INSTALLATION FOR PUMPED FUEL SUPPLY FROM MAIN DIESEL TANK



6.4.3 INSTALLATION - FITTING OF STANDPIPE

Do not attempt to Tee into the fuel pipe going to the engine as this may allow air to be drawn back into the engine fuel line. If an auxiliary fuel tap or gallery is not available on the main fuel tank, you will need to access the fuel tank with a standpipe (39c).

A Standpipe (39c) is provided with the installation kit. Ascertain the best position for the standpipe avoiding any obstructions within the tank (such as a level gauge). If necessary cut to ensure the end of the pipe is no closer than 25mm from the bottom of the tank.

Use a 25mm tank cutter to make a hole in the tank taking care to use grease on the cutter and drill to collect any swarf.

6.4.4 INSTALLATION - FUEL PUMP

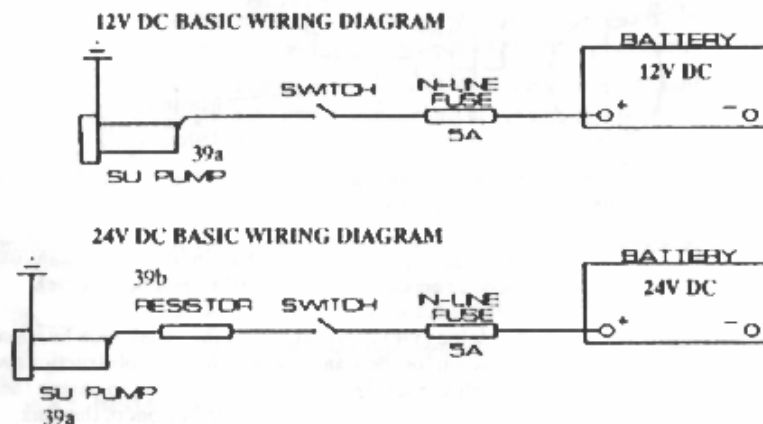
The fuel Pump should be located close to the main diesel fuel tank. The key constraints are the suction head and delivery head. The maximum recommended suction head is 450mm (18") and the maximum recommended delivery head is 1770mm (70"). If the depth of the main diesel fuel tank is greater than the suction head then simply locate the fuel pump (39a) lower down by looping the copper fuel pipe down to the fuel pump (diagram on

previous page exemplifies this). Installations have been satisfactorily tested where a 900mm (36") standpipe (39c) has been looped down to the fuel pump to give an effective suction height of 450mm (18") i.e. the fuel siphons up and down to the fuel pump.

The fuel pump (39a) should be fixed in place (a bracket (39d) is provided) ensuring the outlet port is located above the inlet port - protection from vibration should be a consideration - see section 6.4.5. Note that flexibility is possible re direction of inlet and outlet ports by undoing clamp and rotating ports.

WIRING DIAGRAMS

If you are wiring up the 12V DC pump to a 24V DC system then wire up the resistor (39b) provided as in the wiring diagram below.



6.4.5 INSTALLING THE FUEL LINE

Please refer to sections 6.5 and 6.6. An extra 5 metres of copper fuel is provided. If your installation requires more fuel, line or fuel fittings then please write in. In addition to the points in sections 6.5 and 6.6, we suggest you put a loop in the fuel line between the main diesel fuel tank and the fuel pump to help insulate the fuel pump (39a) from vibration in and around the engine compartment.

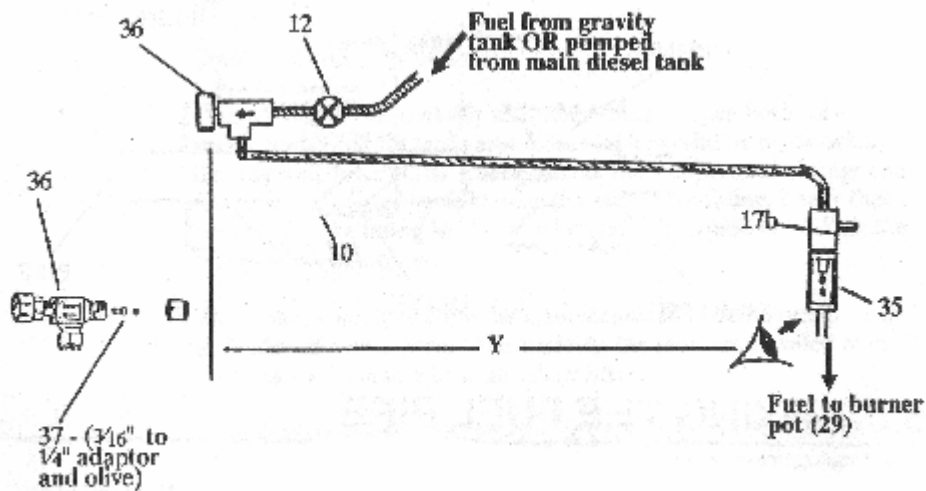
6.5 ASSEMBLING THE FUEL SUPPLY PIPE

The 3/16" copper fuel pipe (10) is supplied with compression fittings. All other compression fittings and olives are in the various components - depending on gravity pumped fuel supply: on-off valve (12), in-line fuel filter (11), and pump (39a), and standpipe (39c), bottom fitting of gravity tank (4b). With heater installations that pump fuel direct from the main diesel tank an extra 5 metres of 3/16 " copper fuel pipe (41) is supplied.

6.5.1 LOCATIONS OF FUEL LINE COMPONENTS

The in-line fuel filter (11) should be inserted in the copper fuel pipe in a readily accessible place as close to the gravity tank or main diesel tank as possible. This means that if any debris does enter the fuel line from the tank it will be easier to isolate and blow out the fuel line.

The drip feed valve (36) and on-off valve (12) should be located as shown in the diagram below:



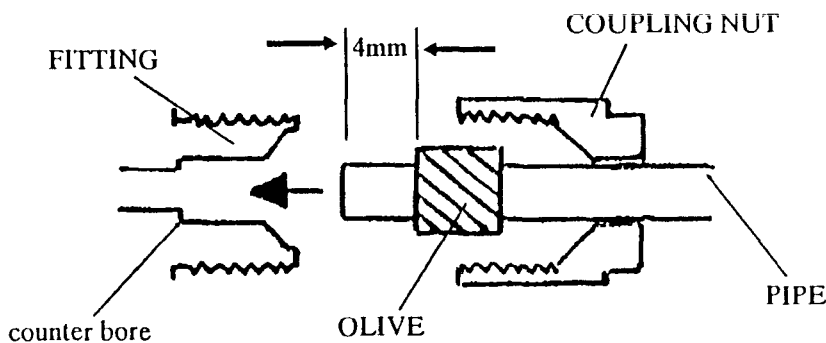
KEY POINTS REF DIAGRAM ABOVE:

- Distance Y between Eye and metering valve (36) should be within easy arms reach.
- Locate the on-off control valve (12) as close to the heater as possible to minimise delay between turning off the valve (12) and stopping fuel supply to the heater.

Having decided on sensible locations for the fuel line components the fuel line can be cut to suit. All joints use compression fittings.

6.5.2 ASSEMBLING THE COMPRESSION FITTINGS

When assembling the compression fitting (see diagram below), ensure that the copper pipe is cut at right angles and that all swarf and burrs are removed. Slide on the coupling and then the olive so that the pipe protrudes about 4mm from the olive. Push the pipe into the fitting until the end of the pipe touches the counter bore in the fitting. Tighten the coupling nut gently and then undo to check that the olive has formed evenly around the pipe. Finally, reassemble and tighten the coupling nut just enough to prevent leakage. Over-tightening the coupling nut will deform the olive and the compression fitting will not seal.

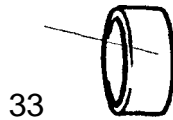


6.6. FIXING THE FUEL PIPE

Care must be taken to prevent the fuel pipe (10 & 41) vibrating as vibration will cause the pipe to fatigue and eventually fracture. The pipe should be clipped into position at frequent intervals and protected from mechanical damage. One way to protect against damage and vibration is to run the fuel pipe in clear PVC hose and fasten with bulkhead clips or cable ties to the hull structure.

7. COMMISSIONING YOUR HEATER

7.11 PRELIMINARIES



Remove the flue cap (33) and fit the cowl (38). Close the metering valve (36) and on-off valve (12).

7.2. PRIMING THE SYSTEM

Note: no fuel will pass the magnetic safety valve (17b) until the burner pot (29) is pre-heated and the blue knob (19) fully depressed see next section 7.3.

GRAVITY TANK SYSTEMS

Quarter fill the fuel tank (5) with clean diesel. Open both valves 36 and 12 and check for leaks around the tank and in the pipe work up to the magnetic valve (17b). Leakage from the compression fittings can normally be stopped by tightening the nut on the fitting. Leaks that persist after the fitting has been tightened will require re-making the fitting with a new olive.

The tank can be filled from the main diesel tank using a pump such as the Henderson Chimp. Alternatively, the tank can be filled from the deck via a suitable hose and deck fitting.

Complete the filling of the gravity tank (5) - DO NOT FILL TO THE TOP - and fit the filler cap (2) ensuring the air vent arrangement is open (allowing equalisation of pressure as the fuel level drops in the tank). Do this by tightening down the cap (2) and then undoing 2 a few turns.

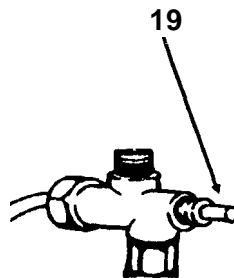
MAIN FUEL TANK PUMPED SYSTEMS

Ensure fuel pump is correctly installed see section 6.4. Turn on valves 12 and 36. Loosen coupling nut of compression fitting between fuel line 10 and 17b. The Fuel pump 39a should pulse (tick) at a fast rate until all air is expelled, then re-tighten coupling nut.

7.3. PRE-HEATING THE BURNER POT

Remove the cap nut (28) to give access to the burner pot (29) for priming with methylated spirit. Use the dispenser (13) provided to cover the base of the burner pot (29) with methylated spirit (approximately 20cc).

Light the burner through the same aperture with a taper or match. Once the methylated spirits has been burning for about half a minute, replace the cap nut and allow the burner pot to heat. The cap nut (28) should not be removed during normal operation of the heater. The centre stool (30) can be seen through the burner case inspection window (25). After 3-4 minutes, the centre stool will gradually heat up. There should be a fan of blue flames visible through the 19-inspection window.

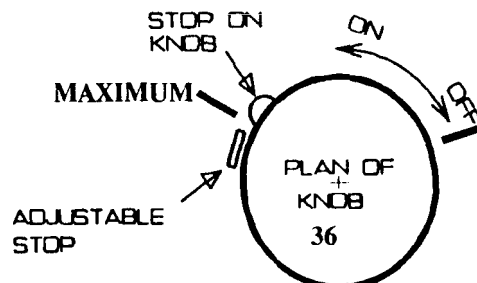


As the blue flames start to diminish, indicating that the pre-heating methylated spirits has nearly finished burning, press the blue knob (19) fully home for about 5 seconds and then release it. - This over-rides the fail safe in the magnetic control valve (17b).

Fuel will now be seen dripping through the sight glass (35). Adjust the fuel feed rate by rotating the knob on metering valve (36) so that the drip rate is about 110 drips per minute. This rate will vary slightly between installations. The drip rate should be set so that the heater is burning as much fuel as possible with minimum smoke being emitted from the flue - see section 7.4.

7.4. MAXIMUM DRIP RATE SETTING

The "Maximum" drip rate must be set for each installation when commissioning or subsequently re-setting the heater. The maximum drip setting is about 120 drips a minute as beyond this fuel oversupply causes inefficient combustion and environmentally "unfriendly" smoke to be emitted from the flue.



The fine taper metering valve (36) offers much finer control at a point remote from immediate heat conduction. The difference between "Off" and "Maximum" is less than 360° allowing the incorporation of an adjustable stop. The adjustable stop works by limiting the

opening of the metering valve by engaging the stop on the knob - see diagram on previous page. The adjustable stop is locked in position by tightening the lock nut.

The typical drip rate range for a heater with 3 lengths of flue (as supplied), after the initial pre-heating stage described above, is between 80-110 drips per minute. It can work outside this range but the optimum setting gives a blue/yellow flame. This is the cleanest burning pattern and minimises the degree of sooting up. Always:

- Adjust the drip rate down to the desired heat setting.
- Note that drip-setting changes should be made gradually and the heater allowed to stabilise between setting changes.

7.5. EXTINGUISHING THE BURNER

To extinguish the heater simply turn off the on-off valve (12). The flame in the burner pot (29) will gradually die down as the remaining fuel is burnt off. There should be no need to touch the setting of the metering valve (36). The advantage with this procedure is that subsequent re-starts are very straightforward - see section 7.6...

7.6. SUBSEQUENT RE-LIGHTING

Having previously extinguished the burner as per section 7.5, the procedure is simple:

- **turn on on-off valve**
- **pre-heat burner pot as explained in section 73**

Drip rate and hence heat output will be at previous setting.

WARNING

SHOULD THE FLAME IN THE BURNER POT (29) BE EXTINGUISHED FOR ANY REASON DO NOT ATTEMPT TO RELIGHT THE BURNER UNTIL IT HAS COOLED DOWN TO ROOM TEMPERATURE AGAIN

If the flame has extinguished unexpectedly i.e. circumstances other than those outlined in section 7.5, then always check the burner pot (29) is empty of fuel prior to re-lighting. Undo nut (20) to drain.

8. SAFETY PROCEDURES

8.1. IMPORTANT

Simple cabin heaters of the " open flame" type, like this Taylors model, have been in safe use for many years. Their very simplicity, however, dictates that they must not be confused with the more sophisticated and expensive automated heating systems now available.

- THEY SHOULD NEVER BE LEFT TO RUN COMPLETELY UNATTENDED.
- SHOULD THE FLAME IN THE BURNER POT (29) BE EXTINGUISHED FOR ANY REASON DO NOT ATTEMPT TO RELIGHT THE BURNER UNTIL IT HAS COOLED DOWN TO ROOM TEMPERATURE
- IF THE FLAME HAS EXTINGUISHED UNEXPECTEDLY, IE. CIRCUMSTANCES OTHER THAN THOSE OUTLINED IN SECTION 7.5, THEN ALWAYS CHECK THE BURNER POT (29) IS EMPTY OF FUEL PRIOR TO RE-LIGHTING. UNDO NUT (20) TO DRAIN.

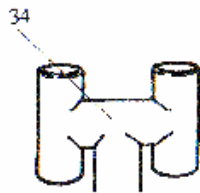
8.2. EMERGENCY FIRE PROCEDURE


Close the safety control on-off valve (12)

Control the flames by smothering them with a fire blanket or by the use of an approved fire extinguisher, which should be installed and readily available as part of the boat's standard safety equipment.

- **NOTE: DO NOT ATTEMPT TO CONTROL THE FIRE BY THROWING WATER OVER THE APPLIANCE.**

9. CHECKPOINTS

Problem	Possible Cause	Solution
Down draught (exhaust fumes blown back)	Negative pressure 	This is caused by the flue exit being sited too near some structure or This is caused by the flue exit being influence (sail downdraught) that creates a localised pressure greater than that inside the cabin. Typically it occurs when high winds hit the boat at a particular point i.e. where it hits the mast, a deck house or a stowed dingy, close to the flue cowl. The flue should be raised high enough to take it clear of such influences. Time and thought in original fitting, to find the best practical exit point through the deck, is well spent. In extreme cases, an H type cowl (34) can be fitted in place of the standard cowl (38).

Fuel backs up in the drip feed sight glass (35)	Carbon build up in burner pot	Clean the burner pot (29) paying particular attention to the fuel entry point in the base (21). Detailed instructions for this cleaning can be found in section 10. On heaters made after 1989 where a T junction is fitted to the pot base, the fuel entry point can be cleared externally (Section 10.1).
	Air lock 	Not usual but air locks can be cleared by momentarily releasing the nut (16a) securing the fuel pipe (16b) at the base Of the drip feed sight glass (35) and retightening. In some cases, it may be necessary to drill a 1/32' (0.8 - 1.0mm) hole in the sight glass body. This will help relieve air locks.
	Drip feed rate too high.	The ideal drip rate will vary with climate and season. Reduce the drip rate accordingly. See sections 7.3 8 7.4.
Fuel drip rate closes down	Air vent on tank (5) open	Unscrew the tank filler cap (2) off its O ring (3) sealing enough to allow air into the tank via the hole in the cap edge.
	Faulty magnetic valve (17b) or thermocouple (15b)	First, check that the thermocouple probe (15b) is located through its hole in the burner pot (29) - when looking through the door. Check that the other end of the thermocouple is properly magnetic valve (17b). Renew the magnetic secured by its nut (15a) into the control valve or thermocouple as necessary.
	Drip feed valve (36) needle loose	Check that the gland nut, where the control needle enters the drip feed valve body, is tight enough to prevent too much free movement of the needle shaft - possibly through engine vibration. The needle shaft should also be lightly greased to eliminate backlash where it is gripped by the O ring.
	Suspect fuel	Unfortunately, the quality of diesel fuel is not always constant. The in-line fuel filter (11) provided with all new models and also available as a spare part should be fitted. Dirt in the fuel tends to be obvious and it can be filtered. Some fuel seems to build up sediment in the metering valve (36) particularly around the needle. To clear it, all that is needed is to close the valve to physically clear the sediment and then open it again.
	Fuel waxing	Diesel fuel will wax in very cold conditions to the extent that it will no longer flow. If it is not possible to move the tank (5) to a warmer place, then insulate the tank and also the fuel supply Line
	Fuel tank (5) not high enough above valve (36)	The relative height of the fuel tank (5) above the valve (36) i.e. 'head of fuel' is important. See section 6.3.

Problem	Possible Cause	Solution
Dirty burning and excessive carboning	Too much/ too little fuel	In most cases the problem is caused trying to, run the heater too low. Either too much or too little fuel will result in a yellow or orange flame visible through the viewing window before it soots up. Ideally, there should be some blue colour in the flame. The drip Controlling the drip rate is crucial – see sections 7.3 and 7.4
	Flue (9) not long enough	Poor draught will result and lead to heavy carboning and sooting in the heater body and flue. The minimum flue length is around 760mm (30'). If it is not possible to increase the flue length inside the cabin, it can be added outside. If this is done, be sure to insulate the outside section (use heat resistant material) otherwise the temperature differential within the flue will tend to cause a down-draught.
	Dirty Flue	After a period in use, the flue will start to soot up even given the cleanest burning. This sooting will be obvious if you look down the flue from on deck and it should be cleaned before the problem gets worse.
Heater is difficult to light	Strong draught	Given an efficient flue. The resulting strong draught can cause lighting problems when matches blow out etc. An alternative method of lighting is to use a short length of paper towel soaked in methylated spirits. Pass the end through the lighting hole and then light it. Carry on as detailed in Section 7.3. 'Pre-heating the burner pot'.
	Wrong fuel for pre-heating	Pre-heat with methylated spirits (alcohol).

10. MAINTAINING YOUR HEATER

10.1. CLEANING THE FUEL ENTRY POINT

Remove nut (20) to allow access to clean the fuel entry point using a pipe cleaner or similar utensil.

10.2. COMPLETE OVERHAUL

Open the door. Where the fuel pipe (16b) connects into the T-connection (21) undo the nut and free the fuel pipe.

Pull the thermocouple (15b) out of the burner pot (29).

Remove the screw (27) that secures the burner pot into the burner case (23) and withdraw the burner pot (29).

Remove the burner stool (30) from the burner pot and clean out all soot. Clean out the burner pot and ensure that the fuel entry point is cleaned as described in section 10.1.

Re-assemble in reverse order. Be careful not to over-tighten the nut connecting the fuel pipe (16b) to the T-connection (21). Check that it is leak proof when the heater is next used.

Note: if you damage the fuel pipe (16b) then you will need to replace it complete with compression fittings (*HTD5232). This is available as a standard item in the Extended Cruising Spares Kit - details in Section 5.

If burner stool is tight and can not be removed, immerse burner pot and stool in a small container of paraffin for 24 hours. Then wiggle from side to side and pull **stool** out.

11. DIMENSIONS AND SPECIFICATIONS

Pre-Heating Fuel - Methylated Spirits (alcohol)

Fuel - Diesel or Paraffin (kerosene).

Fuel Consumption - 0.2 litres at full heat per hour.

Heat Output - Reflected at 600mm (2) distance: 2.4kWh.

Installation Kit -

- 1/2 gallon gravity tank.
- 3 lengths of Stainless Steel flue pipe. ~ Through-deck fitting and cowl.
- 3m of copper fuel pipe. ~ In-line fuel filter.
- Safety on-off control valve. ~ Pre-heating fuel dispenser.
- Fine control valve.

Weight -- Approx 11kg.

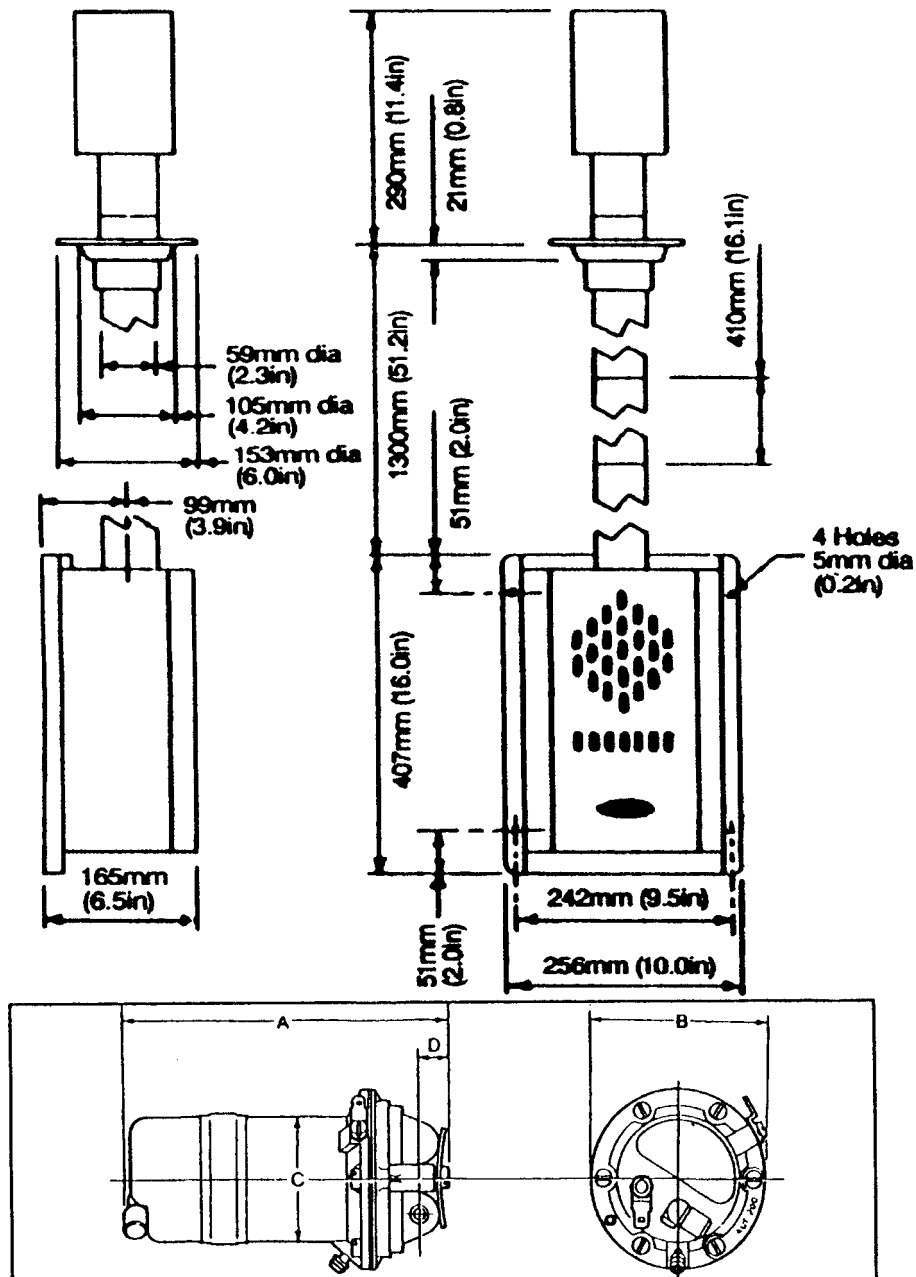
GRAVITY OR PUMPED FROM MAIN FUEL TANK - SEE SECTION 6.4 FOR DETAILS ON PUMPED VERSION

DIESEL TANK DIMENSIONS

Length 340mm (13.4")

Height 230mm (9.1")

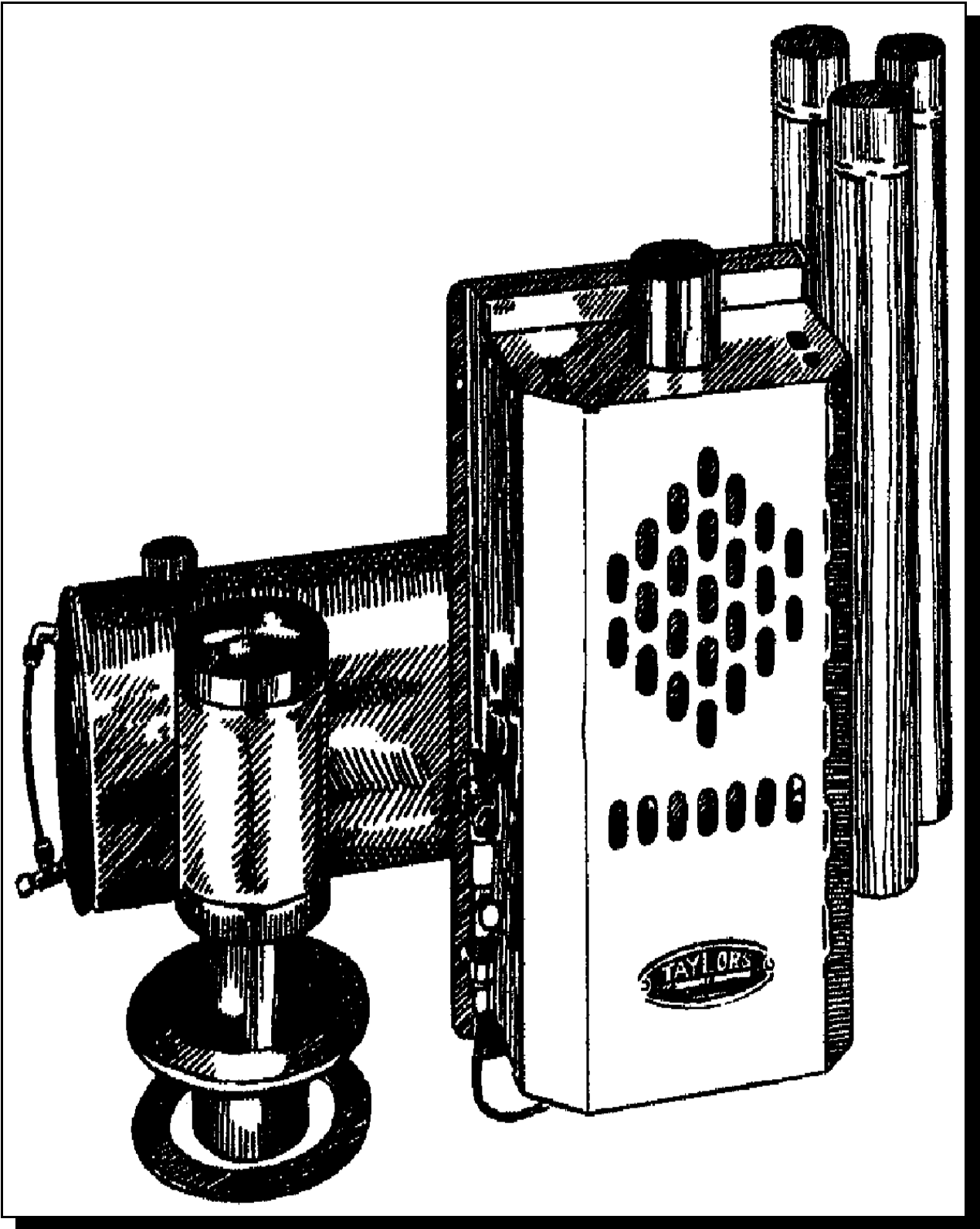
Width 178mm (7")



A: 136.53 mm (5.375 in)

B: 73.03 mm (2.875 in) dia. C: 50.00 mm (1.968 in) dia. D: 12.7 mm (0.500 in)

12V DC FUEL PUMP (39a)



TAYLOR'S 079D Dieselheizung

Montage- und Bedienungsanleitung

1) Einführung

Taylor's Kajütheizungen werden seit vielen Jahren für den problemlosen Betrieb an Bord gebaut.

Die Taylor's Dieselheizung ist einfach im Betrieb.

Funktionsprinzip: Nach der Vorheizphase wird Dieselöl in der Brennerschale verbrannt. Die zugeführte Dieselmenge und damit die Wärmeabgabe der Heizung wird über die Tropfregelung reguliert.

In diesem Handbuch findet der Benutzer wichtige Hinweise zu Installation, Betrieb und Wartung der Heizung.

Bitte lesen Sie diese Anleitung aufmerksam, bevor Sie mit der Installation beginnen. Überprüfen Sie die Heizung auf Vollständigkeit. Planen Sie die Installation gewissenhaft Schritt für Schritt. Die Installation dieses brennstoff- und hitzeführenden Systems darf nur von fachkundigen Personen vorgenommen werden

Alle Verweise auf Zeichnungen (Seitenangaben in Klammern) beziehen sich auf die beiliegende englische Bedienungsanleitung.

ACHTUNG: Lassen Sie die Heizung nie unbeaufsichtigt brennen.

2) Mitgeliefertes Installationsmaterial (Zeichnung engl. Handbuch S.2)

Folgende Teile zur Installation der Heizung werden mitgeliefert:

- ▶ Schwerkrafttank (5) mit Befestigungslaschen (1), Verschraubung und Dichtung (2,3) sowie Schauglas (4a,4b)
- ▶ 3 Längen Abgasrohr (9) à 457mm Länge und 56mm Durchmesser. Am besten sollte die volle Abgasrohrlänge von (zusammengesteckt) 1295mm installiert werden. Eine Reduzierung der Länge ist möglich, sie darf allerdings 760mm keinesfalls unterschreiten, um einen problemlosen Betrieb der Heizung zu gewährleisten.
- ▶ Decksdurchführung (7) mit Dichtung (8) und passender Abgashaube(6).
- ▶ Kupferzuleitung(10) (300cm) mit Quetschverschraubungen.
- ▶ Absperrventil(12) (auf/zu) mit Quetschverschraubungen.
- ▶ Filter(11) mit Quetschverschraubungen.
- ▶ Spiritus-Spritzflasche(13).

Befestigungsteile für die bordseitige Montage müssen der individuellen Einbausituation angepasst sein und werden daher nicht mitgeliefert. Sie benötigen:

- ▶ Hitzeschutzplatte aus rostfreiem Stahl oder geeignete keramische Kacheln, sofern ein zusätzlicher Hitzeschutz zwischen Heizung und Befestigungsschott erforderlich ist.
- ▶ Rostfreie Bolzen oder Schrauben zur Befestigung von Heizung, Tank und Decksdurchführung: Durchmesser 6mm, jeweils 4 Stück für Heizung, Tank und Decksdurchführung

3) Explosionszeichnung (siehe engl. Handbuch S.3)

4) Ersatzteilnummern (siehe engl. Handbuch S.4)

5) Ersatzteilsätze (siehe engl. Handbuch S.5)

Die Ersatzteilsätze für Taylors Dieselheizungen bieten eine durchdachte Zusammenstellung von Ersatzteilen, die dem Benutzer die Wartung auch auf See erlauben.

Betriebsanleitung TAYLOR'S Dieselheizung 079D

Die Zusammenstellung des normalen (HTDNORM) und erweiterten (HTDEXTD) Ersatzteilsatzes entnehmen Sie dem Diagramm.

6) Installation der Heizung

6.1) Positionierung

Die Heizung ist für die senkrechte Montage an einem Schott konstruiert. Sie sollte mindesten 225mm über dem Boden montiert werden.

Obgleich die Rückwand der Heizung (31) isoliert ist, sollte das Gerät zusätzlich auf einer hitzereflektierenden oder -isolierten Platte montiert werden, die auf allen Seiten mindestens 150mm größer ist als die Grundplatte.

Achtung: Montieren Sie die Heizung nicht über einer brennbaren Oberfläche, da Tropföl Beschädigungen hervorrufen und ein Brandrisiko darstellen kann.

6.2) Abgasrohr

Mitgeliefert werden 3 Längen Abgasrohr (9) à 457mm Länge und 56mm Durchmesser. Am besten sollte die volle Abgasrohrlänge von (zusammengesteckt) 1295mm installiert werden. Eine Reduzierung der Länge ist möglich, sie darf allerdings 760mm keinesfalls unterschreiten, um einen problemlosen Betrieb der Heizung zu gewährleisten.

Kann die volle Länge nicht innerhalb der Kajüte installiert werden, so muss die zusätzliche Abgasrohrlänge bei Betrieb der Heizung außen montiert sein. Die Rohre im Außenbereich müssen aber isoliert sein, um den nötigen Zug im Abgassystem zu erzeugen, der zur einwandfreien und sauberen Verbrennung nötig ist. Die Isolation kann z. B. mit hitzebeständiger Schnur erfolgen.

Die Installation des Abgasrohrs sollte unbedingt senkrecht und gerade erfolgen. Nur so kann der nötige Zug (Unterdruck) entstehen, der saubere und sichere Verbrennung ermöglicht. Die Öffnung an Deck darf nicht verdeckt sein, muss in freier Luftströmung liegen und darf nicht den Abwinden von Segeln, Aufbauten oder Masten ausgesetzt sein. Wenn es völlig unumgänglich ist, kann ein biegsames Rohr (Ersatzteil 32) eingesetzt werden, das höchstens um 45° gebogen werden darf.

Die Decksdurchführung erfordert eine Bohrung von 108mm. Die Durchführung wird ungebohrt geliefert, damit sie den Bordbedingungen optimal angepasst werden kann. Die Befestigung mit 4 Stk. Edelstahl-Bolzen 6mm wird empfohlen.

Die Isolationsscheibe(8) muss zwischen Durchführung und Deck montiert werden. Die Decksbucht (-rundung) kann durch ein passendes Füllstück aus Holz oder durch Epoxid-Spachtel ausgeglichen werden. Wasserdichtigkeit sollte durch Verwendung von Silikon- oder ähnlicher Dichtmasse hergestellt werden.

6.3) Einbau des Brennstofftanks (Schwerkraft- (Gefälle-)tank)

In der Standardversion wird ein Schwerkrafttank zur drucklosen Brennstoffversorgung benutzt. Der Tank wird mit der beiliegenden Kupferleitung (10) mit der Tropfregulierung der Heizung verbunden.

Um ausreichendes Gefälle zu erzeugen, sollte der Brennstoffspiegel im Tank mindestens 1220mm über der Tropfregulierung liegen. Im Ausnahmefall kann das System auch mit einem Gefälle von nur 600mm funktionieren. Wenn eine entsprechende Montage aus Platzgründen nicht möglich ist, sollte die Montage an Deck in einem entsprechenden Behälter erwogen werden.

Ist eine Montage in ausreichender Höhe nicht möglich, so kann unter Verwendung des Ersatz-Tankdeckels (2) mit KfZ-Ventil (Typ Schrader) der Tank unter sehr leichten Druck gesetzt werden (unter 0,1bar). Nach jeder Benutzung der Heizung ist dann der Druck aus dem System abzulassen.

Die Befestigungsglaschen(1) sind zur Montage des Tanks an Schott oder Schrankwand vorgesehen.

Betriebsanleitung TAYLOR'S Dieselheizung 079D

6.4) Kraftstoffpumpe zur Versorgung aus dem Haupttank
Die Pumpe ist in diesem System nicht enthalten

6.5) Einbau des Leitungssystems

Die Kupferleitung (10) im Durchmesser e wird komplett mit Quetschverschraubungen geliefert. An allen anderen Komponenten sind die Quetschverschraubungen bereits montiert: Abstellventil (12), Regelventil(36), Brennstofffilter (11), Tankbodenverschraubung (4b).

6.5.1) Komponenten der Brennstoffleitung (siehe engl. Handbuch S. 11)

Der Brennstofffilter sollte in der Brennstoffleitung in gut zugänglicher Position so nahe am Tank wie möglich montiert werden, damit Verunreinigungen möglichst nicht ins Leitungssystem gelangen können.

Die Tropfregelung(35) und das Regelventil(36) sollten so montiert werden, dass die Tropfregelung während der Einstellung des Regelventils gut beobachtet werden kann. (Abstand Y kleiner als Armeslänge). Das Regelventil sollte möglichst nicht der direkten Hitze der Heizung ausgesetzt sein, da so eine feinere Einstellung der Dieseldurchflussmenge möglich ist.

Das Abstellventil(12) sollte nahe am Regelventil montiert werden, damit nach Abstellen möglichst wenig Brennstoff mehr in den Brenner läuft.

6.5.2) Montage der Quetschverschraubungen (engl. Handbuch S. 12)

Die Kupferleitung muss exakt rechtwinklig geschnitten, entgratet und sorgfältig gesäubert sein.

Entfernen Sie alle Säge- und Feilrückstände, die das System blockieren können!

Quetschmutter ("coupling nut") und Quetschring ("olive") werden auf die Leitung geschoben. Das Rohrende muss ca. 4mm aus dem Quetschring herausragen. Dann wird das Rohrende bis zum Anschlag in die Bohrung des Gegenstücks (fitting) geschoben. Die Verschraubung wird mit passendem Maulschlüssel vorsichtig angezogen und wieder gelöst. Überprüfen Sie, ob der Quetschring sich sauber um die Leitung geformt hat.

Setzen Sie die Verschraubung wieder zusammen und ziehen sie die Quetschmutter vorsichtig so fest, dass eine gute Abdichtung gewährleistet ist. Achtung: Zu festes Anziehen zerstört den Quetschring und verhindert die Abdichtung.

6.6) Befestigung der Leitung

Die Brennstoffleitung muss vibrationsfrei montiert werden. Jede Vibration wird auf die Dauer zur Materialermüdung und evtl. zum Bruch der Leitung führen. Die Leitung muss in geringen Abständen fixiert und gegen mechanische Beschädigung geschützt werden.

Die Kupferleitung kann ggf. gegen Vibration und Beschädigung geschützt werden, indem ein passender Kunststoffschlauch vor dem Befestigen über die Leitung geschoben wird.

Betriebsanleitung TAYLOR'S Dieselheizung 079D

7) Inbetriebnahme der Heizung

7.1) Vorbereitungen

Nehmen Sie ggf. die Kunststoff-Kappe (33) vom Abgasrohr und setzen Sie die Abzugshaube (6 oder 34) auf. Schließen Sie das Regelventil (36) und das Abstellventil(12).

7.2) Einstellung der Heizung

7.2.1 Überprüfung des Tanks / Leitungssystems

Die Dieselmenge, die zur problemlosen gleichmäßigen und sauberen Verbrennung im Brennertopf nötig ist, muss sorgfältig am Regelventil eingestellt werden. Die Heizung verfügt über ein Temperatur-Magnet-Sicherheitsventil, das die Dieselfuhr bei ungewolltem Verlöschen der Flamme abstellt, um unkontrolliertes Austreten von Kraftstoff zu verhindern.

ACHTUNG: Brennstoff kann nur in die Heizung fließen, wenn der Brennertopf vorgeheizt wurde und der blaue Druckknopf (19) am Sicherheitsventil (17b) ganz eingerückt ist. (siehe 7.3, engl. Handbuch Seite 14).

Mit Schwerkraft (Gefälle-)tank:

- ▶ Überprüfen Sie, dass die Heizung, der Tank und alle Leitungen entsprechend der Herstellervorgaben fest und sicher eingebaut sind.
- ▶ Füllen Sie den Brennstofftank (5) zu 25% mit sauberem Dieselkraftstoff. Der Brennstofftank kann über die Füllöffnung befüllt oder mit einer geeigneten Förderpumpe direkt aus dem Treibstoff-(Diesel-) tank versorgt werden.
- ▶ Öffnen Sie Regel- und Abstellventil und überprüfen Sie das Leitungssystem bis zum Sicherheitsventil (17b) an der Heizung gewissenhaft auf Undichtigkeit. Undichtigkeiten an den Quetschverschraubungen können in der Regel durch vorsichtiges Nachziehen der Quetschmutter mit geeignetem Maulschlüssel behoben werden. Führt das Nachziehen nicht zu zuverlässiger Abdichtung, so muss eine neue Quetschverschraubung mit neuem Dichtring (olive) eingebaut werden!
- ▶ Schließen Sie das Absperrventil (12) wieder.
- ▶ Wenn Sie die Dichtigkeit des Leitungssystems festgestellt haben, kann der Tank befüllt werden. Er darf nicht bis zum obersten Rand befüllt werden.
- ▶ Schrauben Sie den Tankdecke(2)l auf und stellen Sie die Belüftung des Tanks sicher: Bei fallendem Brennstoffspiegel im Tank muss durch den Tankdeckel zum Ausgleich Luft eintreten können. Schrauben Sie dazu den Tankdeckel(2) ganz auf und öffnen ihn wieder 2-3 Umdrehungen.

7.3) Inbetriebnahme der Heizung

7.3.1) Vorheizen des Brennertopfs

- ▶ Öffnen Sie die Brennertopf-Verschraubung (28). Füllen Sie durch die Schrauböffnung mit dem Spritzfläschchen (13) Brennspritus in den Brennertopf, bis der Boden bedeckt ist (ca. 2 cl).
- ▶ Entzünden Sie den Brennspritus durch die Verschraubung mit einem Streichholz oder einem Ofenanzünder (Papierlunte).
- ▶ Wenn sich der Brennspritus entzündet hat (nach ca. 30 sec) verschließen Sie die Schrauböffnung, damit sich der Brennertopf erwärmen kann. Die Verschraubung (28) sollte während des Betriebs nicht geöffnet werden.
- ▶ Die Heizspirale (30) kann durch das Inspektionsfenster (25) beobachtet werden. Innerhalb 3 - 4 min. wird sich die Heizspirale erhitzen, was an einem Ring blauer Flammen zu erkennen ist.

7.3.2) Start

- ▶ Öffnen Sie das Absperrventil (12) und öffnen Sie das Regelventil (36) durch Drehen in Richtung "on" gegen den Uhrzeigersinn bis zum Anschlag.
- ▶ Sobald die blauen Flammen zu verlöschen beginnen (was bedeutet, dass der zum Vorheizen nötige Brennspritus nahezu verbrannt ist), drücken Sie den blauen Knopf (19) am Sicherheitsventil ca. 15 sec ganz ein. Dies setzt die Abschaltfunktion außer Kraft und erlaubt den Eintritt von Diesel in den Brennertopf.
- ▶ Jetzt sehen Sie durch das Schauglas(35 bzw. 14b) Diesel tropfen. Die Zahl der Tropfen pro Minute gibt die Durchflussmenge an, die jetzt mit dem Regelventil (36) optimal abgestimmt werden muss.

Die durchschnittliche optimale Durchflussmenge liegt bei ca. 110 Tropfen/Minute. Diese Menge kann von System zu System je nach Einbausituation leicht abweichen und muss jeweils im Betrieb ermittelt werden. Die Heizung sollte jeweils so eingestellt werden, dass so viel Brennstoff wie möglich mit so wenig Abgas wie möglich verbrannt wird (siehe 7.4).

7.4) Einstellen der Heizung

7.4.1) Maximumeinstellung

Die maximale Durchflussmenge muss bei jeder Neuinstallation oder Veränderung am Heizsystem abgestimmt und eingestellt werden. Die Einstellung erfolgt am Regelventil (36), (siehe Skizze engl. Handbuch S. 14). Der Regelbereich zwischen "Off"(aus) und "Maximum" beträgt eine Drehung von weniger als 360°. Die Maximaleinstellung kann daher mit der verschraubten Metallasche begrenzt werden, an die der "stop knob" (Zeichnung engl. Handbuch S. 14) anschlägt.

- Lösen Sie die Verschraubung der Metallasche am Regelventil.
- Stellen Sie den Einstellknopf so ein, dass die Durchflussmenge nicht mehr als 120 Tropfen/Minute beträgt.
- Verschrauben Sie jetzt die Metallasche als Anschlag für den "stop knob".

7.4.2) Einstellbereich

Der typische Einstellbereich einer Heizung, bei der die mitgelieferten 3 Längen Abgasrohr installiert sind, liegt (bei gut vorgeheiztem Brennertopf) zwischen 80 und 110 Tropfen/Minute. Die optimale Durchflussmenge variiert mit Außentemperatur, Klima und Umweltbedingungen.

Die optimale Einstellung ergibt eine gleichmäßige **blau-gelbe Flamme** mit möglichst geringer Ruß- und Qualmemission.

- Regeln Sie die Durchflussmenge bis zur gewünschten Heizstufe.
- Regeln Sie die Durchflussmenge stets langsam nach und ermöglichen damit der Flamme, sich jeweils zu stabilisieren.

7.5) Ausschalten der Heizung

Zum Abstellen der Heizung schalten Sie stets das Abstellventil (12) auf "off". Die Flamme wird langsam erlöschen. Verstellen Sie nicht das Regelventil, weil so das Wiederanzünden sehr einfach ist (siehe 7.6).

7.6) Wiederanzünden der Heizung

WARNUNG:

Die Heizung darf niemals angezündet werden, so lange der Brennertopf (29) noch warm ist. Entzünden von Brennstoff im heißen Brennertopf kann zu gefährlichen Verpuffungen führen.

Entzünden Sie den Brennstoff im Brennertopf erst, wenn dieser auf Raumtemperatur abgekühlt ist.

Sollte die Flamme unbeabsichtigt verlöscht sein, überprüfen Sie vor dem erneuten Anzünden, dass sich kein Brennstoff mehr im Brennertopf (29) befindet. Ggf. entleeren Sie den Brennertopf durch Öffnen der Ablassschraube (20) (Skizze engl. Handbuch S. 3).

Zum Wiederanzünden der Heizung gehen Sie wie folgt vor.

- Überprüfen Sie, dass der Brennertopf auf Raumtemperatur abgekühlt ist.
- Überprüfen Sie, dass sich kein Brennstoff mehr im Brennertopf befindet.
- Öffnen Sie das Abstellventil (12).
- Heizen Sie den Brennertopf vor und entzünden Sie den Brennstoff, wie unter 7.3 beschrieben.
- Überprüfen Sie die Einstellung der Durchflussmenge.

8) Sicherheitshinweise

8.1) Grundregeln

Einfache Kajütheizungen mit "offener Flamme", wie diese bewährte TAYLOR'S- Heizung, sind seit vielen Jahrzehnten sicher im Gebrauch. Ihr einfacher Aufbau bedingt allerdings, dass sie nicht mit komplizierteren automatischen Heizsystemen verwechselt werden dürfen und wichtige Grundregeln für die sichere Bedienung unbedingt befolgt werden müssen:

- ▶ **Die Heizung darf niemals unbeaufsichtigt betrieben werden.**
- ▶ **Sollte die Flamme verlöschen, so darf der Brennstoff nicht wieder entzündet werden, bevor der Brenner auf Raumtemperatur abgekühlt ist.**
- ▶ **Sollte die Flamme verlöschen, so muss vor dem Wiederanzünden sichergestellt sein, dass sich kein Brennstoff im Brennertopf gesammelt hat (ggf. durch Öffnen der Ablassschraube (20) entleeren).**

8.2) Brandschutz

Sollte die Flamme unkontrolliert brennen, so

- ▶ schließen Sie das Abstellventil (12).
- ▶ löschen Sie die Flamme ggf. mit einer Brandschutzdecke oder einem geeigneten Feuerlöscher, der zur Sicherheitsausrüstung jedes Bootes gehören sollte.
- ▶ **ACHTUNG: Versuchen Sie niemals, einen Brennstoffbrand mit Wasser zu löschen.**

9. Problemlösung

Problem	mögl. Grund	Lösung
Abgase treten durch die Heizung aus- Rückschlag im Abgassystem	Unterdruck im Abgassystem kann entstehen, wenn Abwind von Masten, Aufbauten o.ä. des Schiffes in den Schornstein drücken. Tritt oft nur bei bestimmter Richtung des Schiffes zum Wind oder bei bestimmter Windstärke auf.	Schornstein sollte verlängert werden, bis der Auslass in ungehinderter Luftströmung liegt. Im Extremfall sollte die H-Abgashaube(34) (engl. Handbuch S. 17) anstelle der Standard-Abgashaube installiert werden
Brennstoff sammelt sich im Schauglas (35)	1) Verkokung im Brennertopf 2) Luftblase in der Brennstoffleitung 3) Durchflussmenge zu groß	Bei längerer Benutzung oder unsauberer Verbrennung werden sich Rückstände im Brennertopf bilden und ggf. den Brennstoffeinlass am Boden des Brennertopfes verstopfen. Der Brennertopf muss gereinigt werden (siehe 10)). Tritt selten auf. Leitung muss entlüftet werden: Öffnen sie kurzfristig die Verschraubung (16a) (Skizze engl. Handbuch S.3) am Schauglas. In einigen Fällen kann es nötig sein, im Schauglas-Gehäuse eine Entlüftungs-Bohrung (0,8-1mm) gem. Skizze S. 17 anzubringen. Die optimale Durchflussmenge hängt von zahlreichen Faktoren ab (Außentemperatur, Wittereinflüsse...). Reduzieren Sie ggf. die Durchflussmenge. Siehe 7.3, 7.4 .
Durchflussmenge zu gering / kein Durchfluss	1) Tankdeckel fest verschlossen, keine Belüftung. 2) Fehlerhaftes Sicherheitsventil (17b) oder Thermostatfühler (15b)	Öffnen Sie den Tankverschlussdeckel um 2-3 Umdrehungen. Überprüfen Sie, ob der Temperaturfühler (15b) des Sicherheitsventils in seiner Montagebohrung im Brennertopf montiert ist (hinten links, durch die geöffnete Ofenverkleidung von vorn gesehen). Überprüfen Sie, dass die Fühlerleitung fest im Sicherheitsventil (17b) verschraubt ist. Ggf. Sicherheitsventil oder Fühler austauschen.

Betriebsanleitung TAYLOR'S Dieselheizung 079D

<p>Durchflussmenge zu gering/ kein Durchfluss</p>	<p>3) Nadel des Regelventils (36) ist lose.</p> <p>4) Unreiner Brennstoff</p> <p>5) Ausflockung des Brennstoffs</p> <p>6) Brennstofftank nicht hoch genug- mangelndes Gefälle</p>	<p>Überprüfen Sie am Gehäuse des Regelventils (36), dass die Überwurfmutter an der Einstellnadel fest genug angezogen ist. Sie kann sich durch Vibration lockern. Auch sollte die Einstellnadel leicht gefettet sein.</p> <p>Zur Filterung von Verunreinigungen im Brennstoff muss unbedingt der Filter(11) im Leitungssystem montiert und regelmäßig gereinigt werden. Einige Brennstoffqualitäten bilden Ablagerungen im Regelventil(36). Diese können normalerweise gelöst werden, indem das Regelventil von Hand völlig geschlossen und wieder geöffnet wird.</p> <p>Bei extremer Kälte kann Dieselbrennstoff ausflocken und fließt dann nicht mehr. Tank und Leitungen müssen vorsichtig erwärmt oder mit einer Kälteisolierung versehen werden.</p> <p>Siehe 6.3- es muss ausreichendes Gefälle vorhanden sein.</p>
<p>Unsaubere Verbrennung / Verkokung / Verrußung</p>	<p>1) Falsche Durchflussmenge</p> <p>2) Abgasrohr zu kurz</p> <p>3) Verschmutzte Abgasrohre</p>	<p>In den meisten Fällen wird das Problem durch zu geringe Durchflussmenge verursacht. Zu viel oder zu wenig Brennstoff verursacht eine gelbe oder orangefarbene Flamme (sollte im Idealfall blau brennen). Genaue Einstellung der Durchflussmenge ist unerlässlich (siehe 7.3 und 7.4)</p> <p>Schlechte Abgasverhältnisse verursachen unsaubere Verbrennung und starke Ablagerungen in Brennerraum und Abgasrohr. Das Abgasrohr darf keinesfalls kürzer sein als 760mm. Ist die Rohrlänge innerhalb der Kajüte nicht ausreichend, so kann zusätzliche Länge auch im Außenbereich montiert werden. Rohre im Außenbereich müssen aber zur Vermeidung von Rückschlag im Abgassystem mit hitzebeständigem Material isoliert werden.</p> <p>Im längeren Gebrauch sind Ablagerungen im Abgasrohr unvermeidlich. Diese müssen durch Kontrolle der Rohre beobachtet und rechtzeitig beseitigt werden.</p>

Betriebsanleitung TAYLOR'S Dieselheizung 079D

Anzünden ist problematisch	1) Starker Abgaszug	Eine sehr effiziente Abgasführung kann beim Anzünden Probleme verursachen, wenn das Streichholz o.ä. ausgeblasen wird. Benutzen sie ein Stück Papiertaschentuch, das Sie in ein wenig Brennspiritus tränken, in die Anzündöffnung (28) schieben und entzünden. Weiter wie in 7.3.
	2) Falscher Brennstoff zum Vorheizen	Verwenden Sie zum Vorheizen nur handelsüblichen Brennspiritus.

10) Wartung der Heizung

10.1) Reinigen des Brennstoffeintritts am Brennertopf

(Für Heizungen ab Baujahr 1989):

Entfernen Sie die Verschraubung (20) und reinigen Sie die Einlassöffnung des Brennstoffs mit einem Pfeifenreiniger oder einem ähnlichen Werkzeug.

Vermeiden Sie die mechanische Beschädigung des Brennertopfs.

Bei älteren Modellen muss die Reinigung über die Anzündöffnung (28) erfolgen.

10.2) Komplette Überholung

Die Überholung sollte nur von versierten Handwerkern oder Fachwerkstätten vorgenommen werden. (Siehe Skizze engl. Handbuch S. 3)

- ▶ Öffnen Sie das Gehäuse. Lösen Sie die Brennstoffleitung (16b) von der T-Verschraubung (21) und entfernen Sie die Leitung vorsichtig.
- ▶ Ziehen Sie den Thermofühler (15b) aus dem Brennertopf.
- ▶ Lösen Sie die Verschraubung (27), die den Brennertopf (29) im Brennerraum (23) fixiert. Ziehen Sie den Brennertopf heraus.
- ▶ Entfernen Sie die Heizspirale (30) aus dem Brennertopf. Entfernen Sie alle Verschmutzungen von Heizspirale und Brennertopf.
- ▶ Wenn die Heizspirale sehr fest sitzt und nicht entfernt werden kann, stellen Sie den Brennertopf mit Heizspirale für 24 Stunden in einen kleinen Behälter mit Dieselöl. Lösen Sie anschließend die Heizspirale vorsichtig aus ihrem Sitz.
- ▶ Stellen Sie sicher, dass die Brennstoffeinlassöffnung im Brennertopf sauber ist (vgl. 10.1).
- ▶ Bauen Sie das Gerät wieder zusammen. Achten Sie darauf, dass die Rohrverschraubungen nicht beschädigt oder überdreht werden.
- ▶ Überprüfen Sie alle Verschraubungen auf Dichtigkeit, bevor die Heizung wieder in Betrieb genommen wird.
- ▶ Kontrollieren Sie bei erneuter Inbetriebnahme die Durchflussmenge und stellen sie ggf. neu ein.
- ▶ Sollte die Brennstoffleitung (16b) beschädigt werden, so muss sie als komplettes Ersatzteil ausgetauscht werden (z. B. im erweiterten Ersatzteilkit HTDEXTD enthalten).

Betriebsanleitung TAYLOR'S Dieselheizung 079D

11. Spezifikationen

Vorheizen: Brennspritus

Brennstoff: Diesel

Verbrauch: 0,2 l/Std bei max. Leistung

Leistung: 2,4 kW (in 600mm Abstand)

Gewicht: ca. 11 kg

Inhalt:

- ▶ Brennstofftank (Gefälletank) 6,8 l
- ▶ 3 Längen Abgasrohr (1295 mm Gesamtlänge)
- ▶ Decksdurchführung und Abgashaube
- ▶ 300 cm Kupfer-Brennstoffleitung
- ▶ Brennstofffilter
- ▶ Absperrventil
- ▶ Regelventil
- ▶ Spiritus- Spritzfläschchen zum Vorheizen

Vertrieb durch:

Friesenweg 4
22763 Hamburg

Tel. 040-8890100
Fax. 040-88901011

TOPLICHT
SCHIFFSAUSRÜSTUNG

