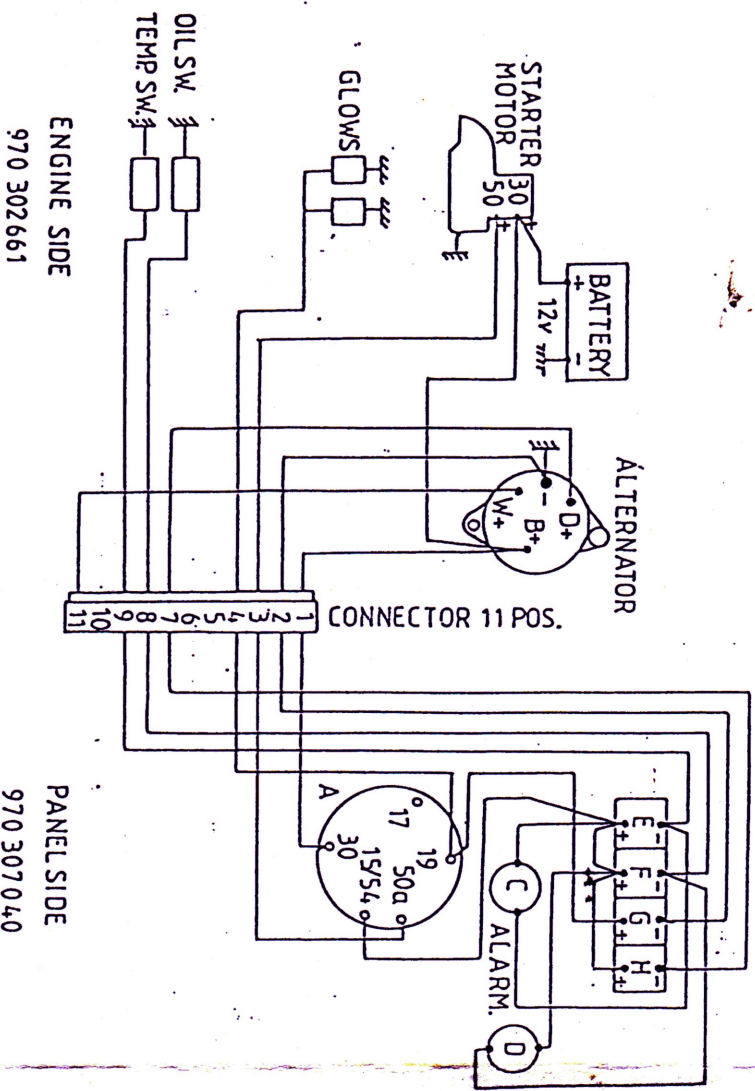
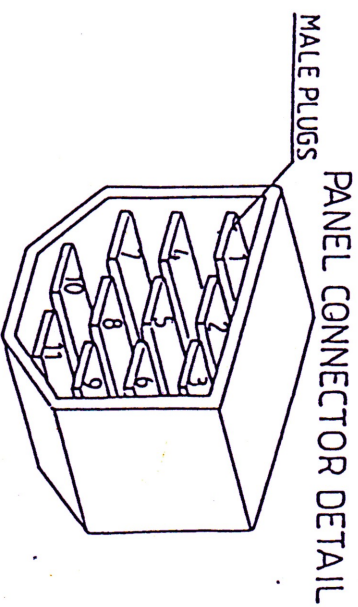


WIRING DIAGRAM 2.40 ECO



- A: SWITCH GLOW START
- B:
- C: BUZZER
- D: BUZZER
- E: LIGHT TEMP ALARM.
- F: . . . OIL PRESS.
- G: . . . GLOWING
- H: . . . BATT. CHARG.



PLUG No	WIRE COLOR	FUNCTION
1	RED	+
2	BLACK	-
3	BROWN	STARTER
4	BROWN 1	PREHEAT.
5		
6		
7	VIOLET	D+ (ALT)
8	GREY 1	OIL SWITCH
9	YELLOW/GR	WATER SW.
10		
11	BLUE	