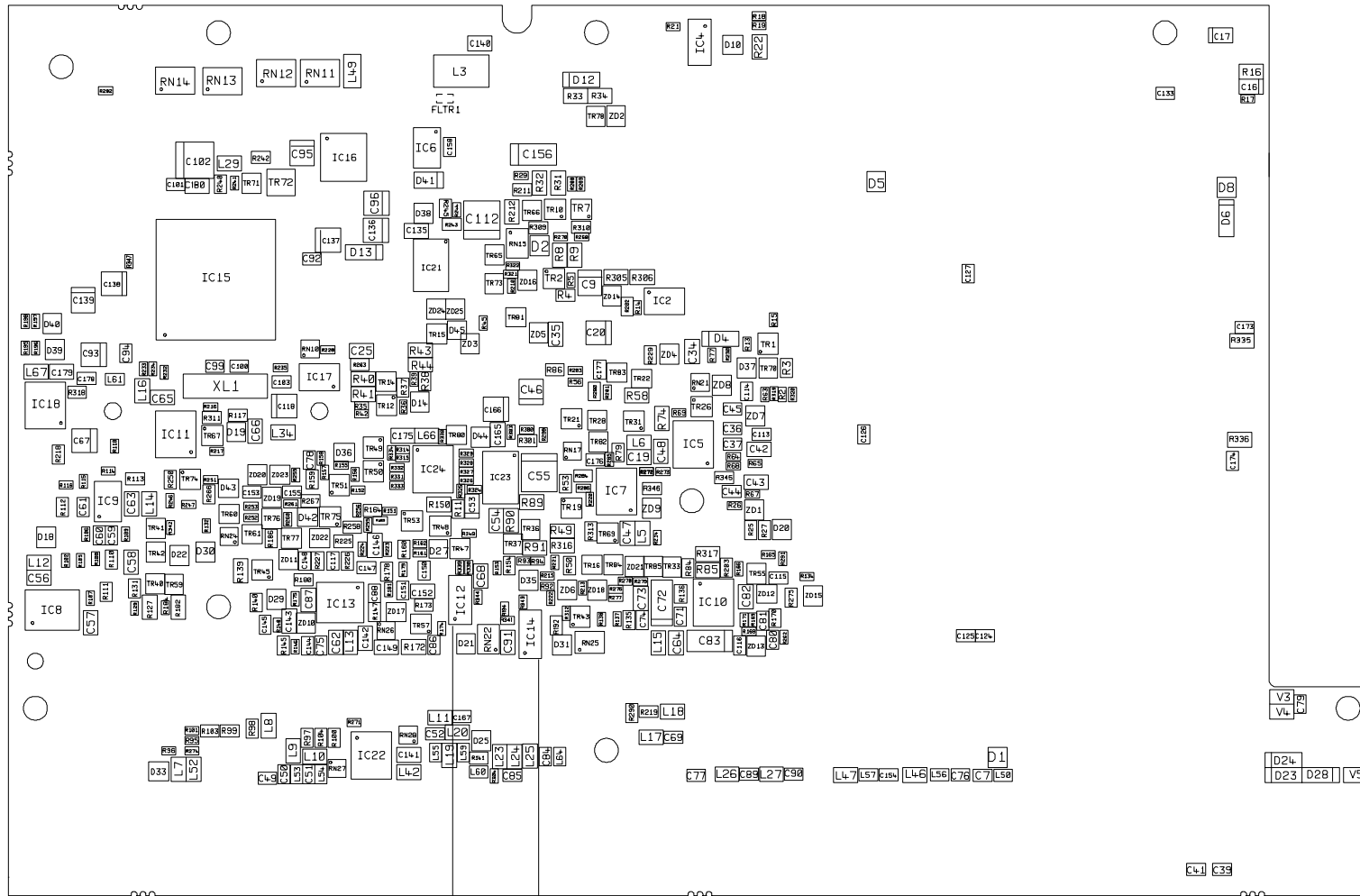


Used on:

PCB 3015-227



MODIFICATION/AMENDMENT

ID#	DATE	CHANGES
A	08.09.00	First Issue.
B	31.01.01	New PCB issue.
C	27.03.01	Change IC15 surface mount to conventional. Add R101 to R102. Add R103 to R104. Add R105 to R106. Add R107 to R108. Add R109 to R110. Add R111 to R112. Add R113 to R114. Add R115 to R116. Add R117 to R118. Add R119 to R120. Add R121 to R122. Add R123 to R124. Add R125 to R126. Add R127 to R128. Add R129 to R130. Add R131 to R132. Add R133 to R134. Add R135 to R136. Add R137 to R138. Add R139 to R140. Add R141 to R142. Add R143 to R144. Add R145 to R146. Add R147 to R148. Add R149 to R150. Add R151 to R152. Add R153 to R154. Add R155 to R156. Add R157 to R158. Add R159 to R160. Add R161 to R162. Add R163 to R164. Add R165 to R166. Add R167 to R168. Add R169 to R170. Add R171 to R172. Add R173 to R174. Add R175 to R176. Add R177 to R178. Add R179 to R180. Add R181 to R182. Add R183 to R184. Add R185 to R186. Add R187 to R188. Add R189 to R190. Add R191 to R192. Add R193 to R194. Add R195 to R196. Add R197 to R198. Add R199 to R200.
D	29.06.01	Delete C64 from Sheet 2.
E	29.01.06	Add R146-148, TR70-71. Reference also CAD5746, #41-453
F	08.05.07	Add R147. E:87-893

NOTES:

1. FOR CONVENTIONAL COMPONENTS, SEE SHEET 2.

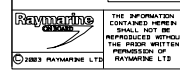
SURFACE MOUNT COMPONENT SIDE

TABLE 1.

IC12 OPTIONS :	R337	R338	R339	R344
HCPL-8701	-	0R0	4K7	K2
HCPL-8802	4K7	0R0	4K7	-

TABLE 2.

IC14 OPTIONS :	A192	A193	A194	TR82	R340	R341	R343
HCPL-8701	0R0	-	4K7	-	-	0R0	K2
HCPL-701/PS8701 S05 MOUNT ON SDB PINS 2-7	0R0	-	4K7	-	-	0R0	0R0
PC357NAT S05 MOUNT ON SDB PINS 2,4 5 & 7	K0	10K	10K	BC817	0R0	0R0	-

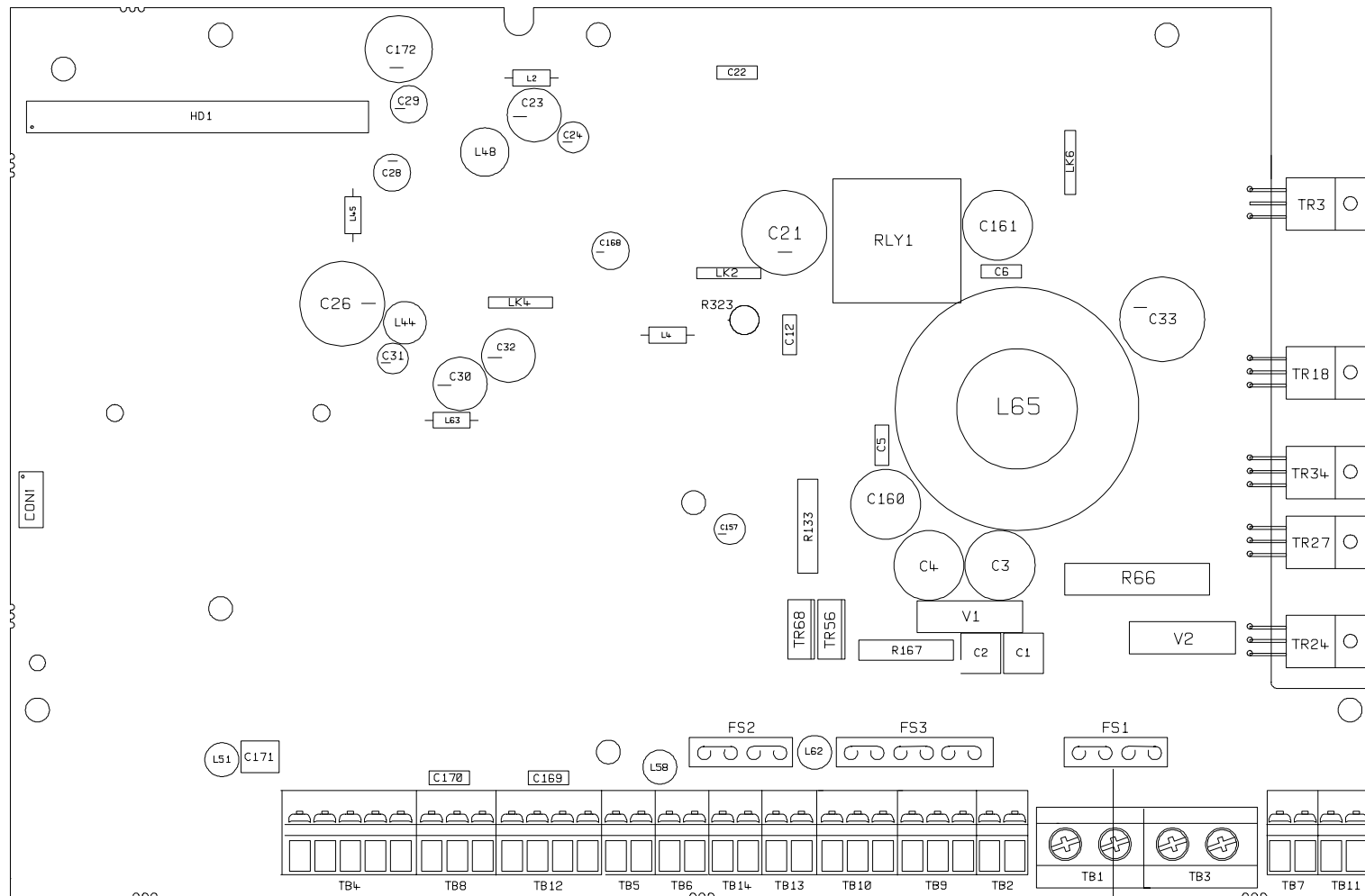


DO NOT SCALE	REMOVE ALL BURRS AND SHARP EDGES UNLESS OTHERWISE STATED	DRAWN I.T.	CHECK D.W.	DATE 25.01.05
PROJ	TITLE: FLASH TYPE 150 COURSE COMPUTER.	SCALE 1:1	DWG NO: 4455-004	SHEET 1 OF 2

Used on:

CONVENTIONAL COMPONENT SIDE

PCB 3015-227



NOTES:

- 2. For Surface Mount Components see Sheet 1.
- 3. Note polarity of Fuse Holders.
- 4. TB2,4-6,8-10,12-14 Comprise a 25way connector strip referred to as TBA on BOM.
- 5. TB5 & 11 Comprise 4 way connector strip referred to TBC on BOM.

SEE NOTE 4.

SEE NOTE 3.

SEE NOTE 5.

MODIFICATION/AMENDMENT

ISS	DATE	CHANGES
A	06.08.00	First Issue.
B	31.01.81	New PCB Issue.
C	27.03.82	Change C18 surface mount to conventional. Add R323 to R324. Change C28-227 to R66. R54 to R55. Add R53+336-338-339,341. Change CONDUCE Holder PCB Tab to 1/2. Move R174, C28, 73. Delete R193, C26, 59, 78, 82 & 79.
D	26.06.84	Delete C18 from Sheet 2.
E	25.01.85	Revised to be in line with sheet 1. Revised to CADSTAR. M-84-853
F	02.05.87	Revised to be in line with sheet 1. E-87-853

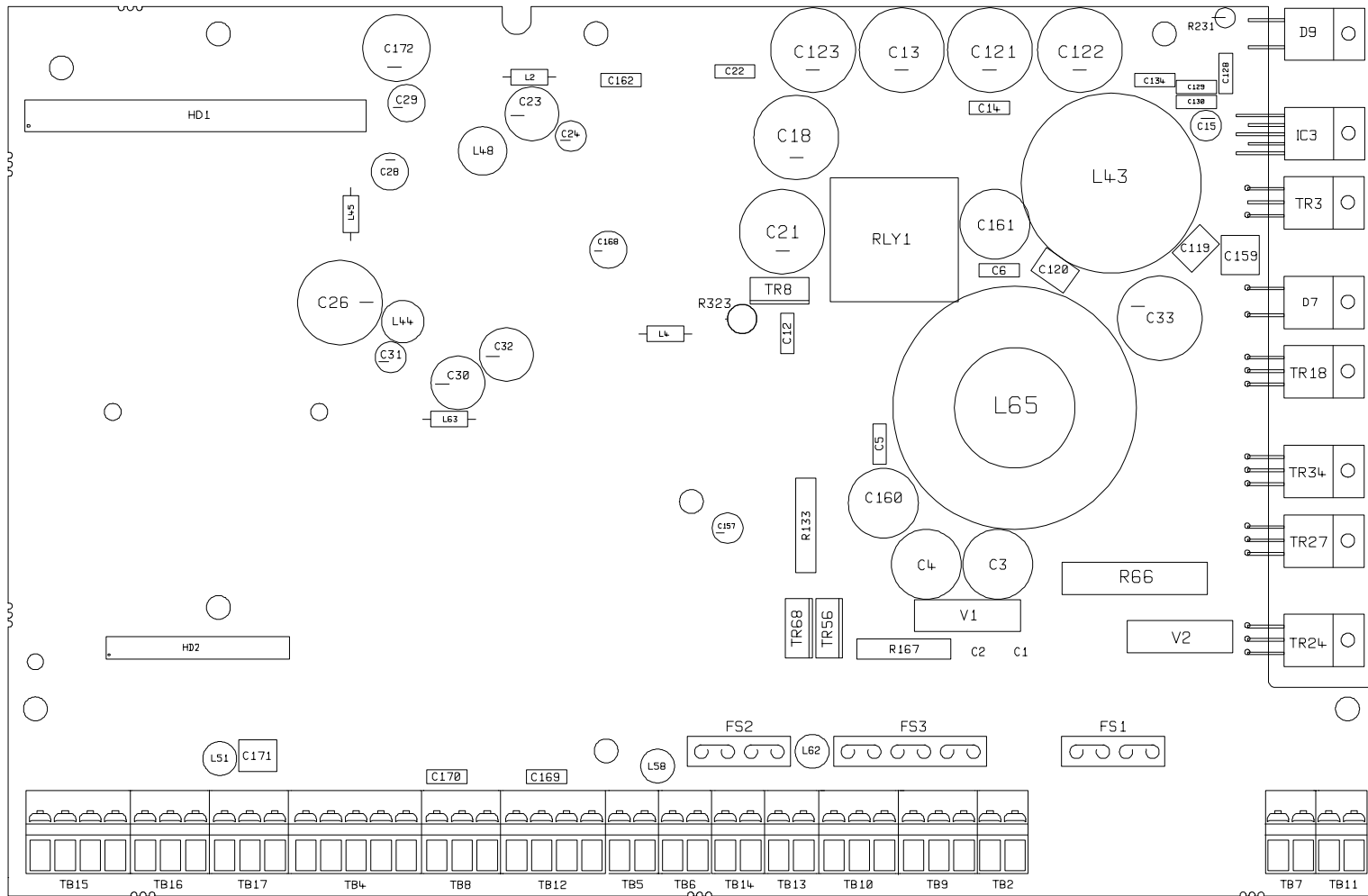


DO NOT SCALE	REMOVE ALL BURRS AND SHARP EDGES UNLESS OTHERWISE STATED	DRAWN I.T.	CHKD D.W.	DATE 25.01.85
PROJ	TITLE: FLASH TYPE 150 COURSE COMPUTER.	SCALE 1:1	DRWG No: 4455-004	Sheet 2 of 2

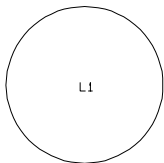
Used on:

CONVENTIONAL COMPONENT SIDE

PCB 3015-227



CONVENTIONAL UNDERSIDE

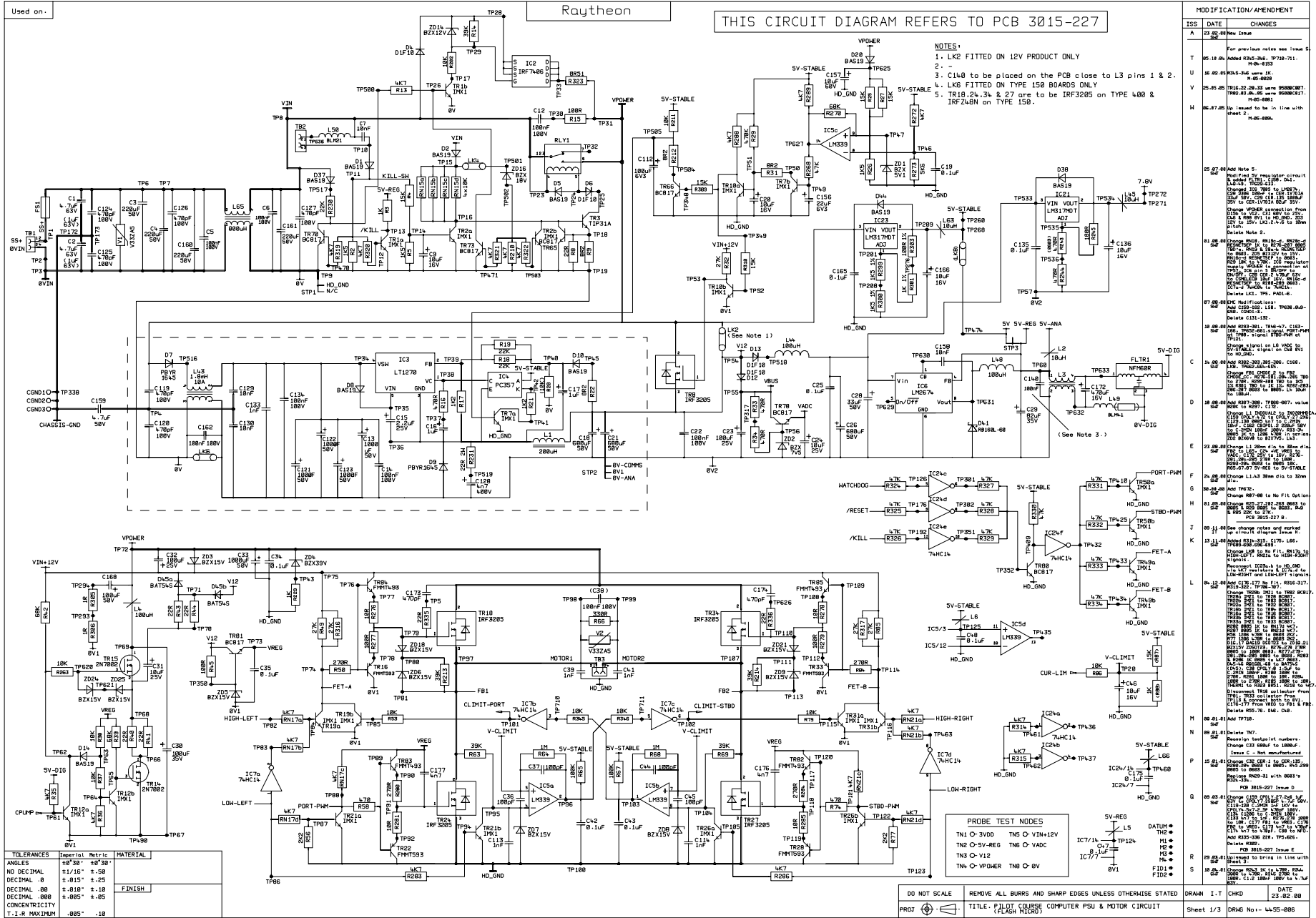


MODIFICATION/AMENDMENT

REV	DATE	CHANGES
A	06/09/88	FIRST ISSUE
B	31/01/88	NEW ISSUE PCB
C	27/03/81	CHANGE C24 SURFACE MOUNT TO CONVENTIONAL. REVISED NETLIST TO READ: R62, R228-227 FROM C18, R66, C14, R64, C28, C31, C34, C36, C38, C39, C40, C41, C42, C43, C44, C45, C46, C47, C48, C49, C50, C51, C52, C53, C54, C55, C56, C57, C58, C59, C60, C61, C62, C63, C64, C65, C66, C67, C68, C69, C70, C71, C72, C73, C74, C75, C76, C77, C78, C79, C80, C81, C82, C83, C84, C85, C86, C87, C88, C89, C90, C91, C92, C93, C94, C95, C96, C97, C98, C99, C100, C101, C102, C103, C104, C105, C106, C107, C108, C109, C110, C111, C112, C113, C114, C115, C116, C117, C118, C119, C120, C121, C122, C123, C124, C125, C126, C127, C128, C129, C130, C131, C132, C133, C134, C135, C136, C137, C138, C139, C140, C141, C142, C143, C144, C145, C146, C147, C148, C149, C150, C151, C152, C153, C154, C155, C156, C157, C158, C159, C160, C161, C162, C163, C164, C165, C166, C167, C168, C169, C170, C171, C172.
D	25/01/85	UP- ISSUED TO BE IN LINE WITH SHEET 1. REPAIRING PHOTO ASSISTANT. W-01-053
E	18/05/87	UP- ISSUED TO BE IN LINE WITH SHEET 1. E-07-053

Raymarine
THE INFORMATION CONTAINED HEREIN SHALL NOT BE REPRODUCED WITHOUT THE WRITTEN PERMISSION OF RAYMARINE LTD

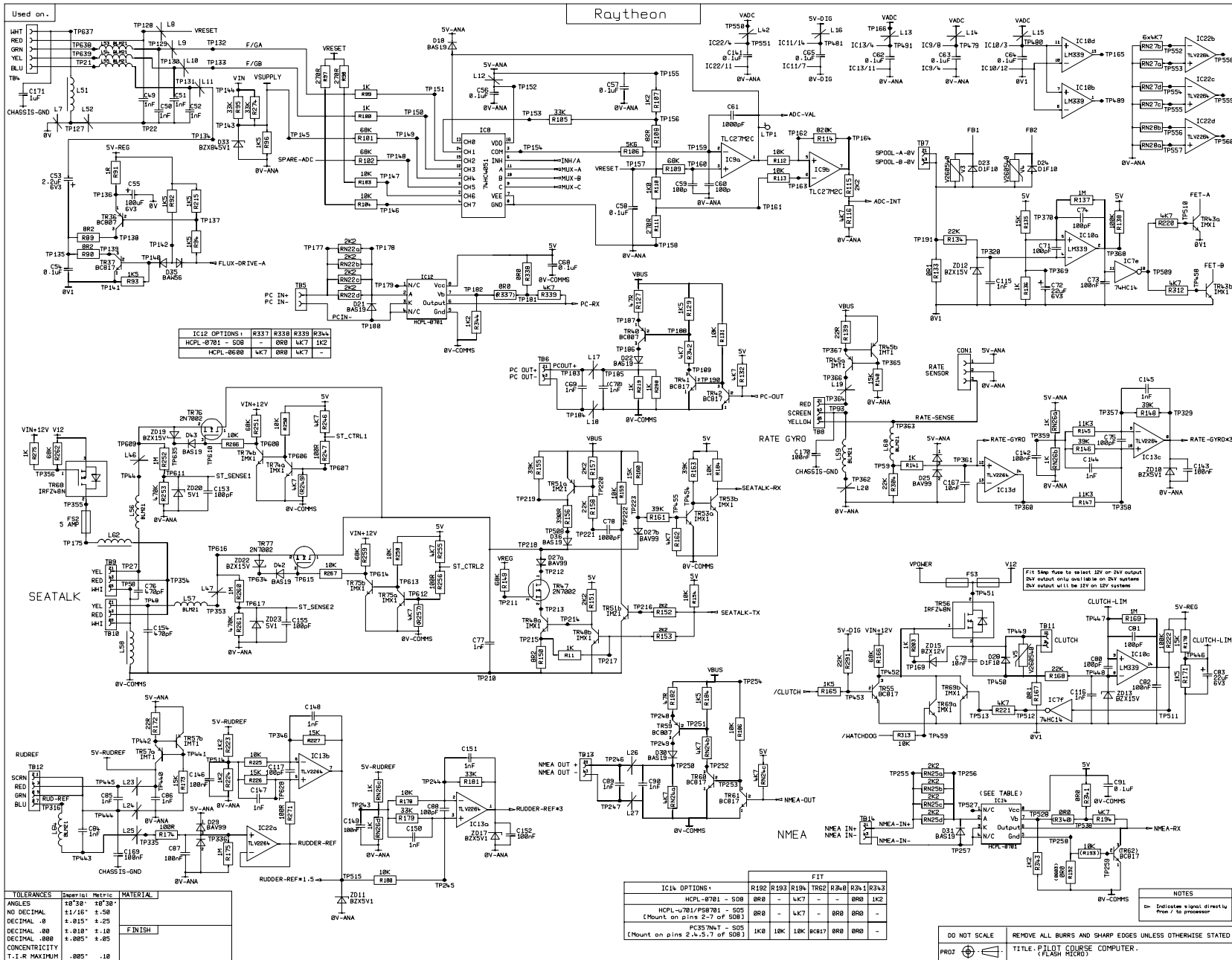
DO NOT SCALE	REMOVE ALL BURRS AND SHARP EDGES UNLESS OTHERWISE STATED	DRAWN LM	CHKD DW	DATE 03/25/85
PROJ 3458	TITLE: FLASH TYPE 400 COURSE COMPUTER.	SCALE 1:1	DRWG No: 4455-885	Sheet 2



TOLERANCES	Imperial Metric	MATERIAL
ANGLES	±0° 30' ±0° 30'	
NO DECIMAL	±1/16" ±.50	
DECIMAL .0	±.015" ±.25	
DECIMAL .00	±.010" ±.10	FINISH
DECIMAL .000	±.005" ±.05	
CONCENTRICITY		
T.I.R. MAXIMUM	.005" .10	

DO NOT SCALE	REMOVE ALL BURRS AND SHARP EDGES UNLESS OTHERWISE STATED	DATE	23.02.88
PROJ	TITLE: PLD11 CIRCUIT: COMPUTER PSU & MOTOR CIRCUIT	SHEET	1/3
DRAWN	I-T	CHKD	
DRWG No	4455-086		

BC807



MODIFICATION/AMENDMENT		
ISS	DATE	CHANGES
A	23.02.00	Rev Issue
B	15.08.00	Rev 17929
B	15.08.00	Rev 17929
C	23.02.00	Rev 17929
D	23.02.00	Rev 17929
E	23.02.00	Rev 17929
F	23.02.00	Rev 17929
G	23.02.00	Rev 17929
H	23.02.00	Rev 17929
I	23.02.00	Rev 17929
J	23.02.00	Rev 17929
K	23.02.00	Rev 17929
L	23.02.00	Rev 17929
M	23.02.00	Rev 17929
N	23.02.00	Rev 17929
P	23.02.00	Rev 17929
Q	23.02.00	Rev 17929
R	23.02.00	Rev 17929
S	23.02.00	Rev 17929
T	23.02.00	Rev 17929
U	23.02.00	Rev 17929
V	23.02.00	Rev 17929
W	23.02.00	Rev 17929

