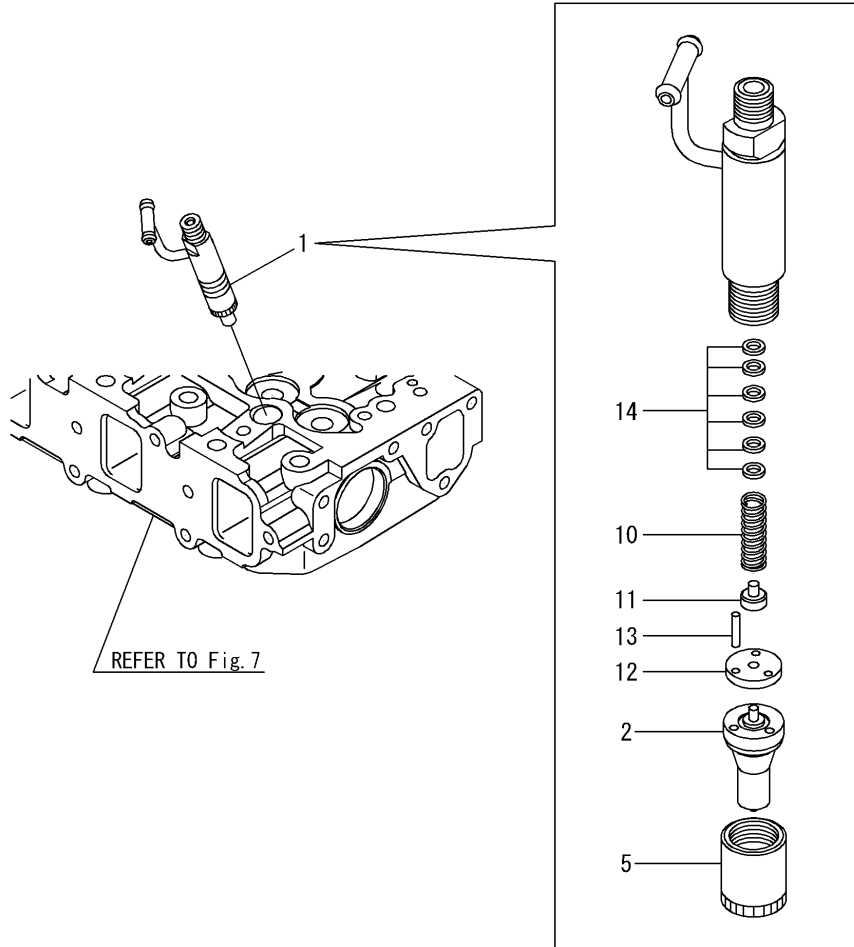


Fig.26. FUEL INJECTION VALVE

(A)=4JH5E
(B)=
(C)=

(D)=
(E)=
(F)=



REFER TO Fig. 7

No.	Lev.	Parts No.	Description	Q'ty						I	R
				(A)	(B)	(C)	(D)	(E)	(F)		
1	1	729271-53100	VALVE ASSY,INJECTION	4							
2	2	129008-53000	VALVE ASSY,INJECTION	4							
5	2	114250-53080	NUT, NOZZLE D16.95	4							
10	2	114250-53120	SPRING, NOZZLE	4							
11	2	114250-53130	SEAT, SPRING	4							
12	2	114250-53140	PLATE	4							
13	2	114250-53210	PIN	8							
14	2	119803-53400	SHIM SET	4							